

LAMP® FD30-F CEILING MOUNT, FOLDING DOOR SYSTEM Installation Manual (Main Door End Fixed Type)

Part No.FD30UKP

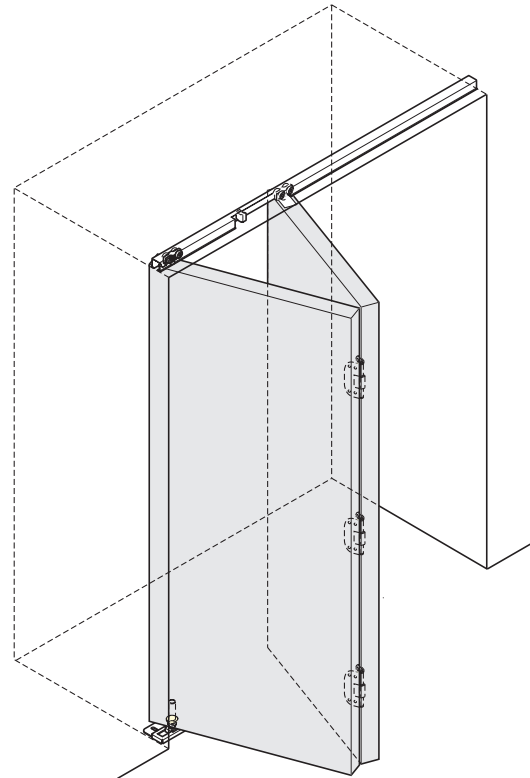
Thank you for selecting our product. Before starting installation, please read this manual thoroughly to ensure correct installation. Please keep this manual at hand for future reference.

ABOUT THE PRODUCT

- This product is a parts set for folding door system for indoor use.
- Easy door installation and adjustment.

SPECIFICATION

Max.Door width	450 mm
Max.Door height	2400 mm
Min.Door thickness	30 mm
Max.Door weight	15 kg / door
Height adjustable range	± 4 mm







FOR YOUR SAFE WORK AND CORRECT INSTALLATION






Meaning of symbols

 Warning Caution	 Prohibited	 Required
--	---	---

WARNING: If these warnings are not followed, it may result in death or serious injury.

-  This (folding door system) should be installed by an experienced person who has correct knowledge. If the system is not installed correctly, the door will not operate smoothly, and or may cause injury.
-  It is necessary to manufacture the frame with sufficient strength so it endures the weight of the door and impact shocks upon opening/closing the door. A frame with poor strength might result in improper and slower movement of the door. In the worst case, the door might drop down and cause injury.
-  Do not try to use this product for any other purposes other than originally intended for. Do not use the parts for applications that are out of specification.
-  Do not disassemble nor modify any parts than those described in this document.

Caution: If these cautions are not followed, it may result in injury or damage.

-  Make sure to follow the designated measurements and specifications as well as horizontal and verticals angles. Make sure that the frame is not warped, since it may affect the movement of the door.
-  If cutting any parts, make sure to remove any burr before installation. Also check the upper track for any left-over burr or scrap and remove these.
-  This folding door system is a part for furniture fittings. After installation, make sure to test the finished product thoroughly to ensure that it is well-functioning and safe.
-  Make sure to test the screws for slack at regular intervals (one month from first usage, half year and then one time every year is recommended).
-  Do not open / close the door with excessive force as this may result in damage.

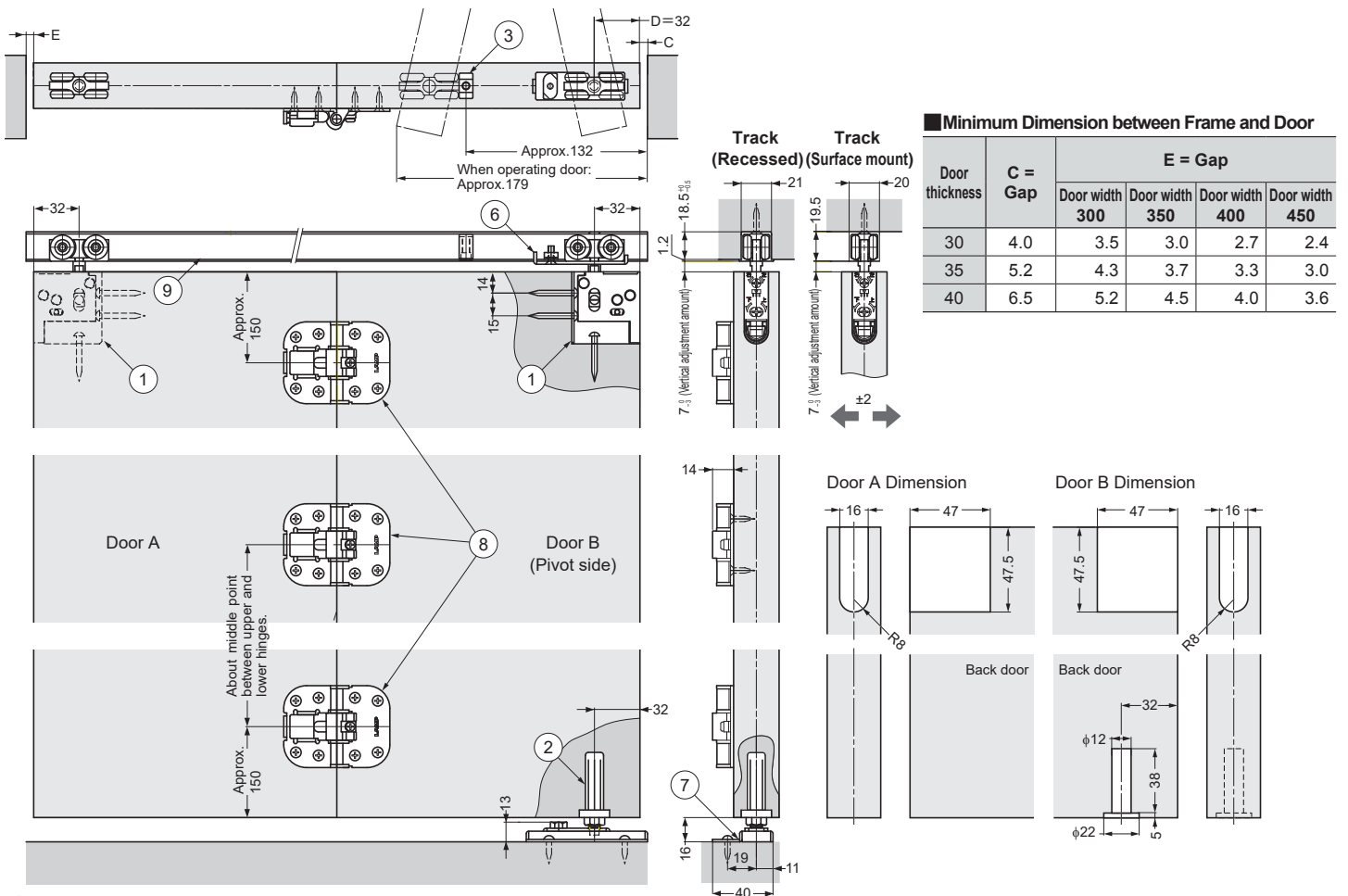
COMPONENT PARTS (PER BOX)

No.	①	②	③	④	⑤	⑥	⑦
Name	Upper roller	Bottom pivot	Stopper block	Pivot insert Jig	Spanner	Fixing plate	Pivot bracket (Floor)
Item No.	FD30-WRH	FD30-FBP	FD30-HSB	FD30-FUK	FD30-FSP	FD30-FKK	FD30-FPU
Item							
Attached screw	Tapping SC 3.5×30	—	—	—	—	—	Truss head tapping screw 4×16
2door, main door end fixed	2	1	1	1	1	1	1
2door, main door end fixed	4	2	2	1	1	2	2

No.	⑧	⑨	
Name	Center hinge (fascia)	Upper Track (surface mount)	Upper Track (recessed mount)
Item No.	FD30-CHM	FD30-TRM 型	FD30-TRH 型
Item			
Attached screw	Tapping screw 3.5×16	Tapping screw 3.5×20	
2door, main door end fixed	3	Use1(surface mount or recessed)	
2door, main door end fixed	6	Use1(surface mount or recessed)	

Option	⑩	⑪	⑫
	Cover cap	Door end holder pin	Door end holder
	FD30-WRH-CP	FD30-FTF	FD30-FMF
	—	—	Flanged round head wood screw 3.1×16 Countersunk tapping screw 3.5×16

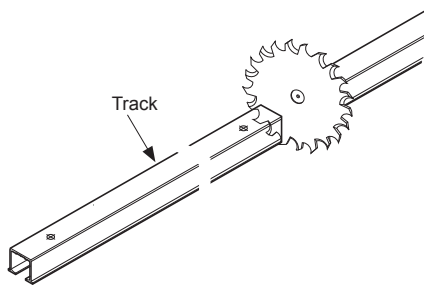
INSTALLATION DRAWING (EXAMPLE)



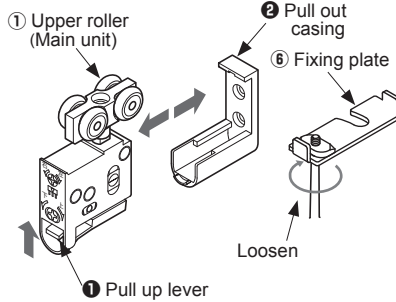
1 Cutting track

⚠ Caution

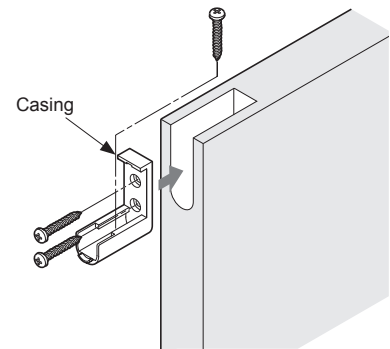
Cut the track applying a reinforcer to prevent deformation of cut section. Remove any dirt or chips from the tracks.



2 Removing Casing



3 Installing Casing

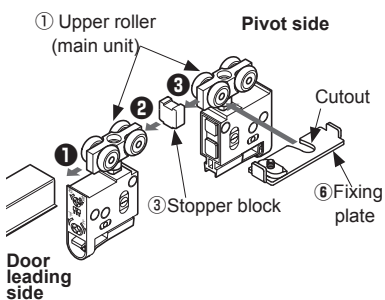


4 Assembly of parts.

Assemble fixing plate ⑥ to the hangerbolt of roller ①. Then insert the parts ① to ⑥ with care of direction.

⚠ Caution

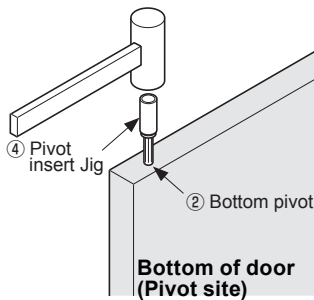
Temporarily fix the parts to prevent from dropping.



5 Installing Bottom Pivot.

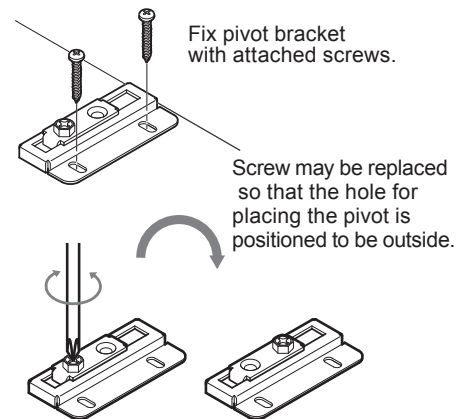
⚠ Caution

Be careful not to damage the plastic part of bottom pivot.



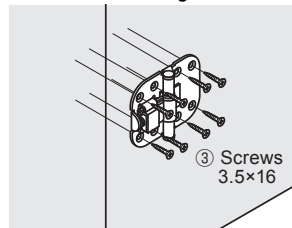
7 Installing Pivot Bracket

Mount pivot bracket to specified position at pivot side. Take care of mounting direction.



6 Installing Center Hinge

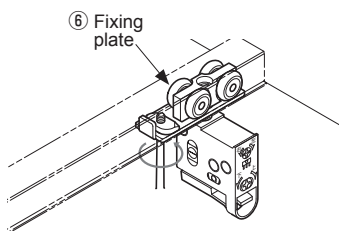
Fix all of center hinges in a same direction.



8 Installing Door

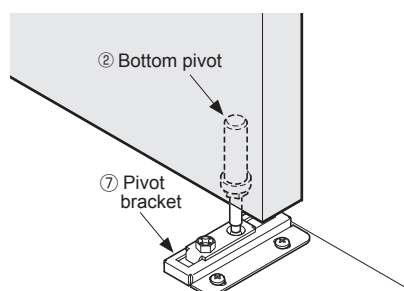
[1] Fixing plate (temporarily)

Screw the fixing plate temporarily according to installation drawing.



[2] Bottom

Fix the tip of bottom pivot into the hole on pivot bracket.

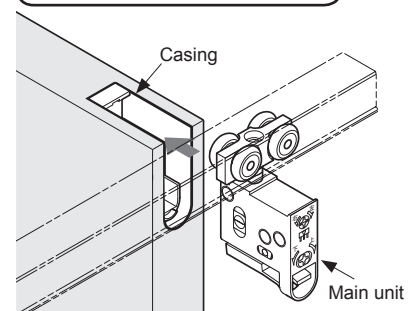


[3] Top

Insert upper roller main unit into the casing installed on door until click sound is heard.

⚠ Caution

Confirm that main unit is firmly clipped to the casing.

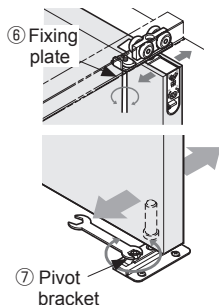


9 Confirmation of Door Movement and Adjustment

Move the door slowly. If the movement is not smooth, adjustment may be needed to correct door position.

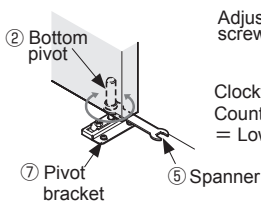
[1] Adjusting inclination of door

Loosen the screws on fixing plate and pivot bracket to make the door vertical. Then retighten the screws.

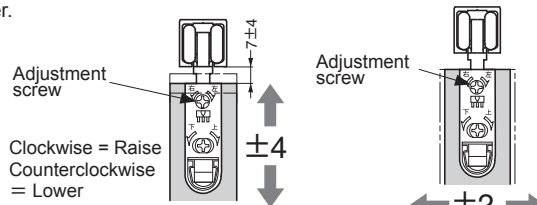


[2] Adjusting vertical position

Turn the nut on bottom pivot with spanner to adjust vertical position, then adjust the screw on upper roller.

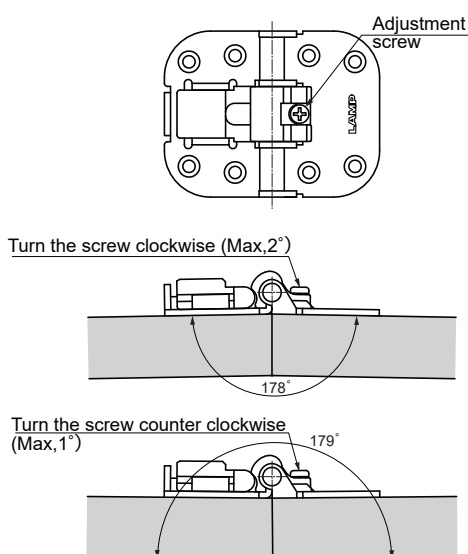


[3] Adjusting front-back inclination



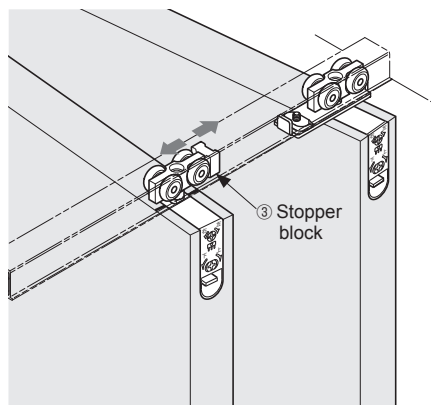
Caution
Do not turn adjustment screw beyond adjustment range.
Do not use motor screwdriver.

[4] Adjusting door angle



10 Adjusting Stopper Block Position

Position the stopper block so that both doors keep "V" shape at opened status and let the doors move smoothly when closing. Then fix the stopper block firmly.



PERIODICAL INSPECTION

- Clean inside of track.
- Check upper space and lower space of the door. If necessary, correct the space.

TROUBLESHOOTING

Trouble	Check	Solution
Abnormal noise during operation	Check if door touches adjacent parts.	Provide necessary space between door and adjacent objects.
	Check inside of upper track for foreign matter or aluminum dust.	Remove dust or foreign matter.
	Check track rollers for aluminum dust.	Remove the track and pull out the roller. Then, clean the roller.
	Check for loose screws retaining the upper track.	Tighten the screw.
Heavy door operation	Door bottom touches the floor.	Confirm that screws on the tracks are not loosened. And, adjust door height. Adjust the clearance between door bottom and floor to 10 mm. (20 mm : Surface mount type guide track)
	Check if door touches adjacent parts.	Correct door position to avoid contact to other objects. Adjust position of upper and bottom stopper.
	Check if door is warped.	Use the door without warp.
Door does not move.	Check track retaining screws for looseness.	Roller touches the screw. Retighten screws to free the roller.
Door starts to move.	Check if the upper track is set horizontally.	Using a level gauge, reset upper track horizontally.

SUGATSUNE KOGYO CO., LTD.
Tokyo, JAPAN
Phone: +81 3 3866 2260
E-mail: export@sugatsune.co.jp

SUGATSUNE KOGYO (UK) LIMITED
Reading, UK
Phone: +44 1189 272 955
E-mail: sales@sugatsune.co.uk

SUGATSUNE EUROPE GmbH
Düsseldorf, GERMANY
Phone: +49 211 53812 900
E-mail: sales@sugatsune.eu

SUGATSUNE AMERICA, INC.
California, USA
Phone: +1 310 329 6373
E-mail: sales@sugatsune.com

Chicago, USA
Phone: +1 630 317 7072
E-mail: sales@sugatsune.com

SUGATSUNE CANADA, INC.
Montreal, CANADA
Phone: +1 514 312 5267
E-mail: support@sugatsune.ca

SUGATSUNE SHANGHAI CO., LTD.
Shanghai, CHINA
Phone: +86 21 3632 1858
E-mail: lamp@sugatsune.com.cn

Guangzhou, CHINA
Phone: +86 20 6639 3554
E-mail: lamp@sugatsune.com.cn

SUGATSUNE KOREA CO., LTD.
Incheon, KOREA
Phone: +82 32 220 0603
E-mail: sales@sugatsune-korea.co.kr

SUGATSUNE KOGYO INDIA PRIVATE LIMITED
Mumbai, INDIA
Phone: +91 9867299597
E-mail: sales@sugatsune.in
Delhi, INDIA
Phone: +91 9867299597
+91 11 45093636
E-mail: sales@sugatsune.in