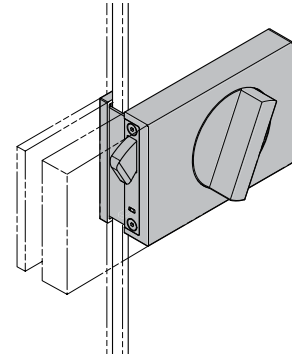


Thank you for selecting our product. Before starting installation, please read this manual thoroughly to ensure correct installation. Please keep this manual at hand for future reference.

ABOUT THE PRODUCT

- Sliding door latch with thumb turn and indicator.
- Closing mechanism leaves no gap between door and doorjamb.
- Safety mechanism allows the hook to work only when the door is closed.
- Hook is completely retracted when the door is open.



FOR YOUR SAFE WORK AND CORRECT INSTALLATION

Meaning of symbols



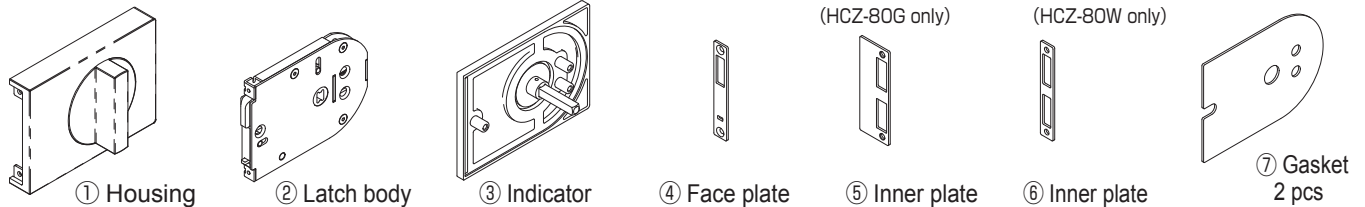
Caution If not followed, injury or damage may result.

- ❗ Follow the specified dimensions, specifications, and alignment of the door and frame. Warping, tilting or twisting of the frame or door may cause failure.
- ❗ This product is a part for architectural fittings. After installation, please check the function and safety of the final product. Please inform the end user how to use the product safely.
- ❗ Make sure to check the screws for slack at regular intervals (one month from first usage, half a year, and then one time every year is recommended).

PARTS COMPOSITION

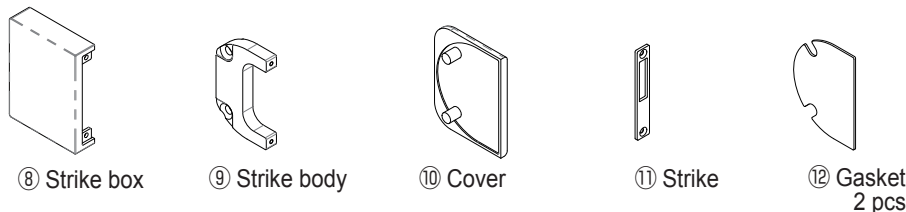
Sliding door latch HCZ-80G (for glass door thickness 10 - 12.7 mm)
HCZ-80W (for wood door thickness 33 - 45 mm)

Provided tools: Hex key 2 mm, 2.5 mm.
See table below for the provided screws.



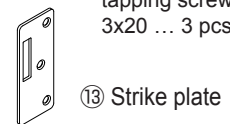
OPTIONAL PARTS

Strike box HCZ-80B
Provided tools: Hex key 3 mm. See table below for the provided screws.



Strike plate

ZL-2402-FB
Provided screws: Countersunk tapping screw 3x20 ... 3 pcs

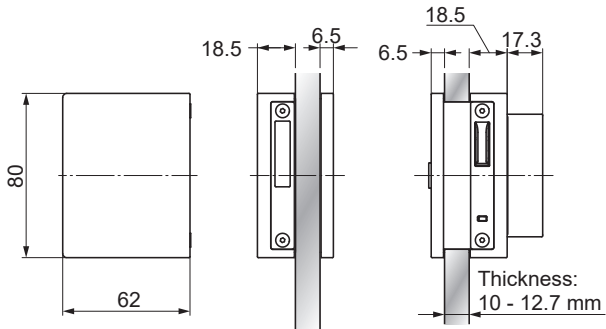
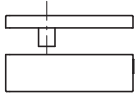


Provided screws		Q'ty	for wood door			
			for glass door t10 - 12.7	t33 - 37	t38 - 42	t43 - 45
	Attached to latch	3	M4×20	M4×45	M4×50	M4×55
		1	M3×10			
		2	M3×8			
	Attached to strike box	2	M5×20	M5×45	M5×50	M5×55
		1	M3×16			
		2	M3×8			

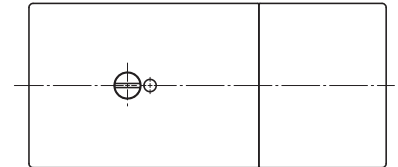
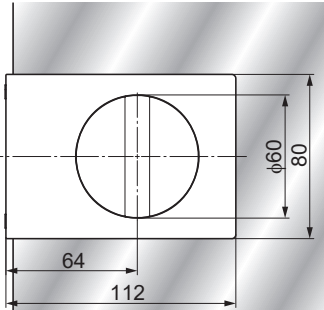
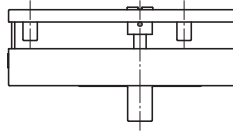
Installation drawing

See installation procedure about the process dimensions.

Strike box

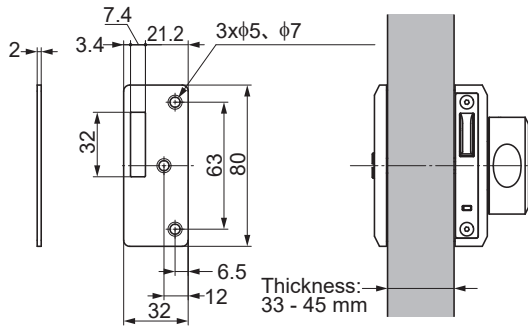


Sliding door latch (for glass door)

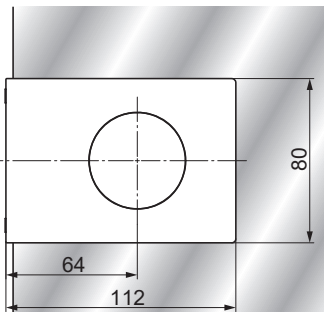


Indicator side (as locked)

Strike plate

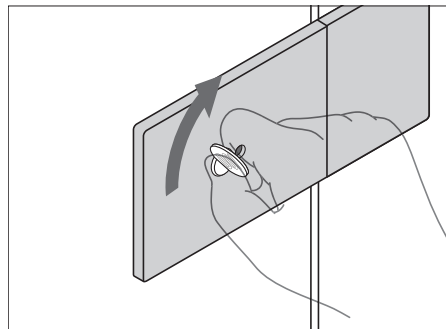


Sliding door latch (for wood door)



Emergency release

Use coin or similar to unlock the latch.



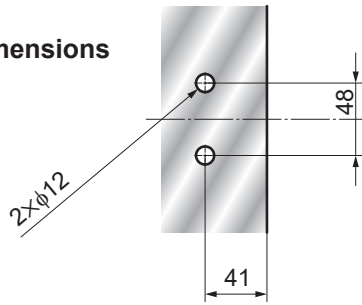
Strike box side

Latch body side

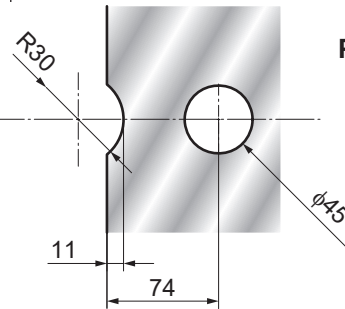
■ Assembly of strike box

■ Installation of latch body

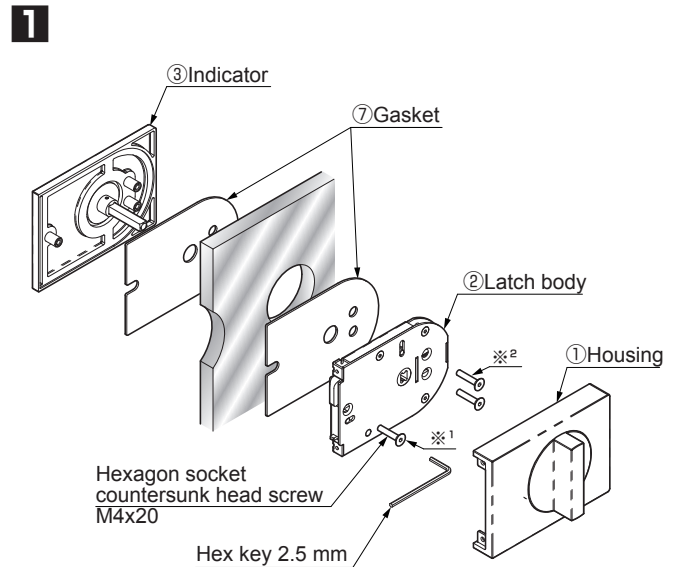
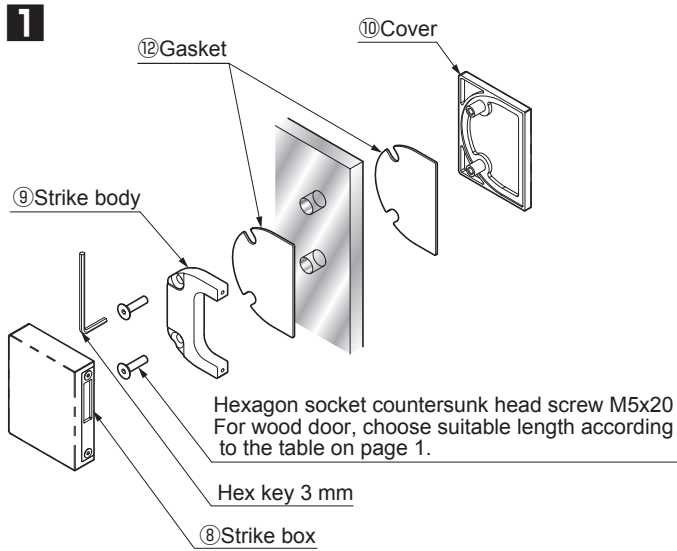
Process dimensions



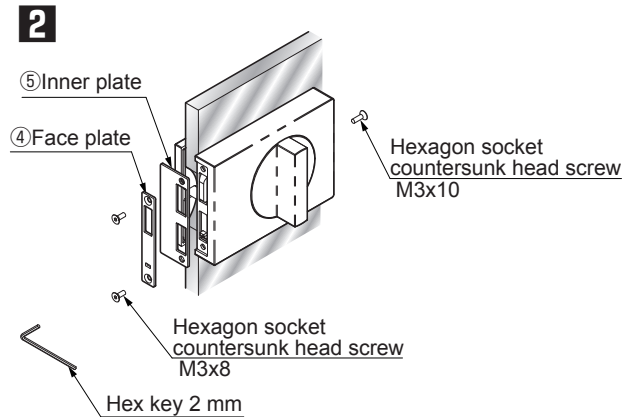
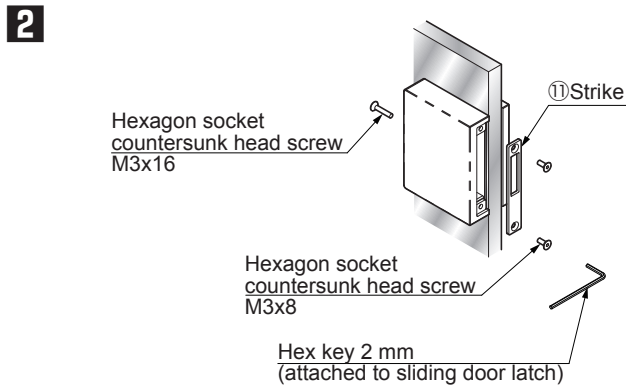
Process dimensions



Strike box and latch body alignment: ±3 mm



Tightening torque
 ※1 : 0.5 - 0.7 N · m
 ※2 : 0.9 - 1.4 N · m



See page 4 about the mounting of strike plate.

INSTALLATION PROCEDURE (for wood door)

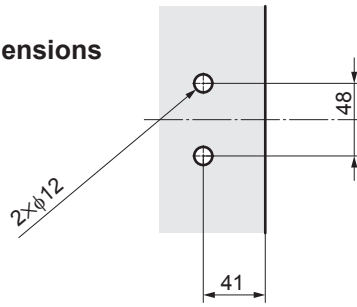
(Door thickness: 33 - 45 mm)

Strike box side

Latch body side

Assembly of strike box

Process dimensions

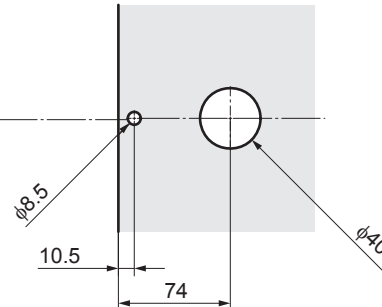


Assembly process is the same as glass door. (See page 3.)

Strike box and latch body alignment: ± 3 mm

Installation of latch

Process dimensions

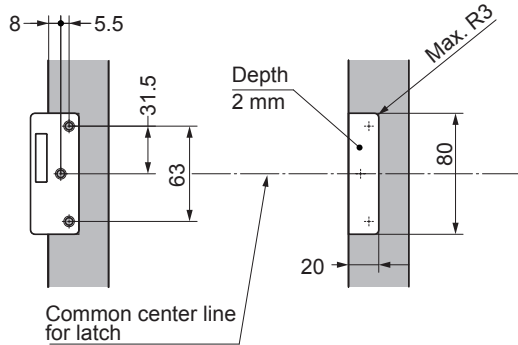


Assembly of strike plate

Process dimensions

Surface mount

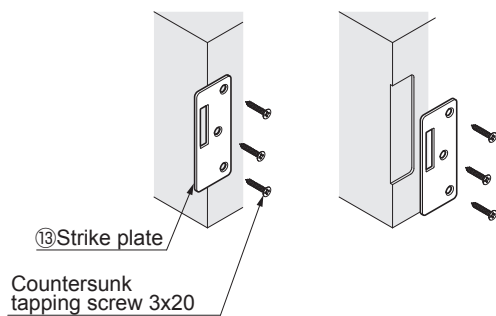
Recessed mount



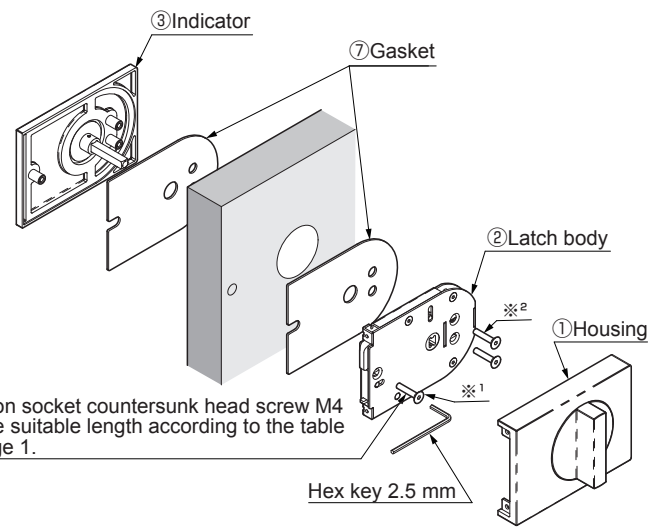
1

Surface mount

Recessed mount



1

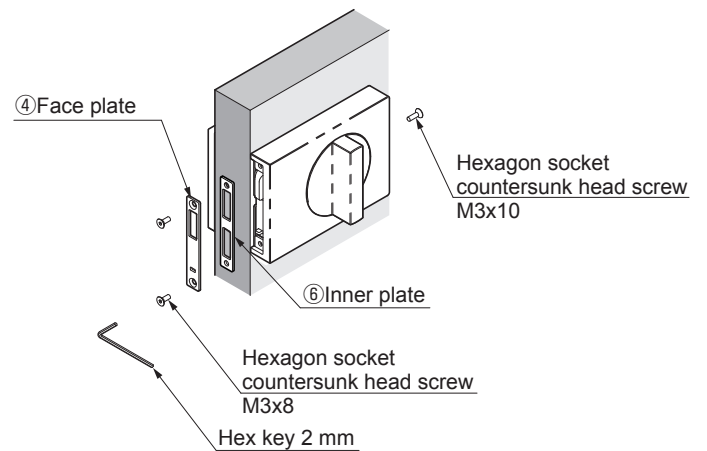


Hexagon socket countersunk head screw M4
Choose suitable length according to the table on page 1.

Hex key 2.5 mm

Tightening torque
※¹ : 0.5 - 0.7 N · m
※² : 0.9 - 1.4 N · m

2



④ Face plate

Hexagon socket countersunk head screw M3x10

⑥ Inner plate

Hexagon socket countersunk head screw M3x8

Hex key 2 mm

SUGATSUNE KOGYO CO.,LTD
Tokyo, JAPAN
Phone: +81 (0)3 3866 2260 E-mail:export@sugatsune.co.jp

SUGATSUNE KOGYO (UK) LTD
Reading, UK
Phone: +44 118 9272 955 E-mail:sales@sugatsune.co.uk

SUGATSUNE EUROPE GmbH
Düsseldorf, GERMANY
Phone: +49 211 53812900 E-mail:sales@sugatsune.eu

SUGATSUNE SHANGHAI Co., LTD
Shanghai, CHINA
Phone: +86 21 3632 1858 E-mail:lamp@sugatsune.com.cn

Guangzhou, CHINA
Phone: +86 20 6639 3552 E-mail:lamp@sugatsune.com.cn

SUGATSUNE KOGYO INDIA PRIVATE LIMITED
Mumbai, INDIA
Phone: +91 22 28314490/91 E-mail:sales@sugatsune.in

SUGATSUNE AMERICA, INC
California, USA
Phone: +1 310 329 6373 E-mail:sales@sugatsune.com

Chicago, USA
Phone: +1 312 461 1081 E-mail:chicagoshowroom@sugatsune.com.

SUGATSUNE CANADA, INC.
Phone: +1 514 312 5267 E-mail:support@sugatsune.ca

ISO9001(Japan Offices and Sugatsune America) and ISO14001(Chiba Production division and Logistics center), certified.

2020.11 1218-2