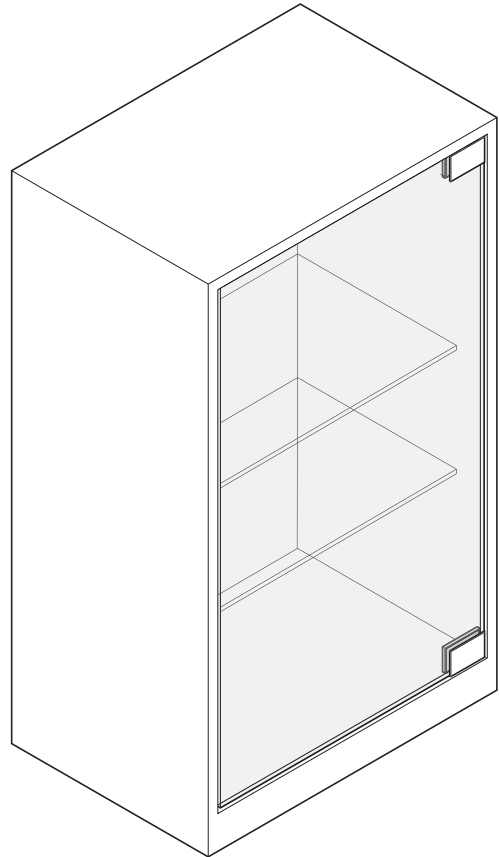


# LAMP® GS-GH50 Glass Pivot Hinge Installation Manual

Thank you for selecting our product. Before installation, please read this manual thoroughly to ensure correct installation. Please keep this manual at hand for future reference.

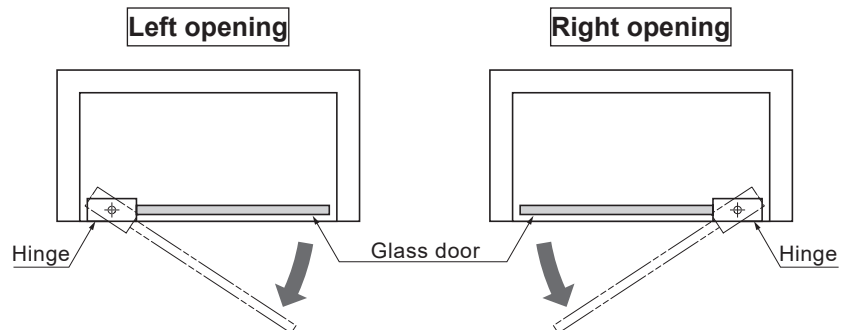
## ABOUT THE PRODUCT

- Pivot hinge for glass show case.
- Door can be mounted with assembled hinges.
- Horizontal and vertical door position is adjustable at mounted status.
- Hinges and locks with same design concept.



## SPECIFICATIONS

Glass width	Max. 900 mm
Glass height	Max. 2500 mm
Glass thickness	8、10、12、12.7 mm
Door weight	490N / set (50 kgf / set)



## FOR YOUR SAFETY AND CORRECT INSTALLATION

### Meaning of symbols



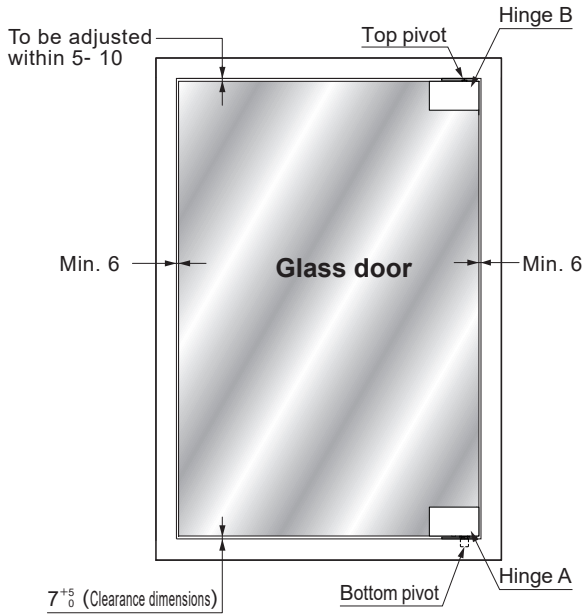
### ⚠ Caution If not followed, injury or damage may result.

- ⚠ Apply door stoppers to protect the hinges and glass door when closing.
- ⚠ Prepare a cabinet which can endure the weight of the door.
- ⚠ Use a tempered glass. It is recommended to use shatter-proof film on the glass. For areas where the glass brackets grip, make sure to remove the shatter-proof film before installing.

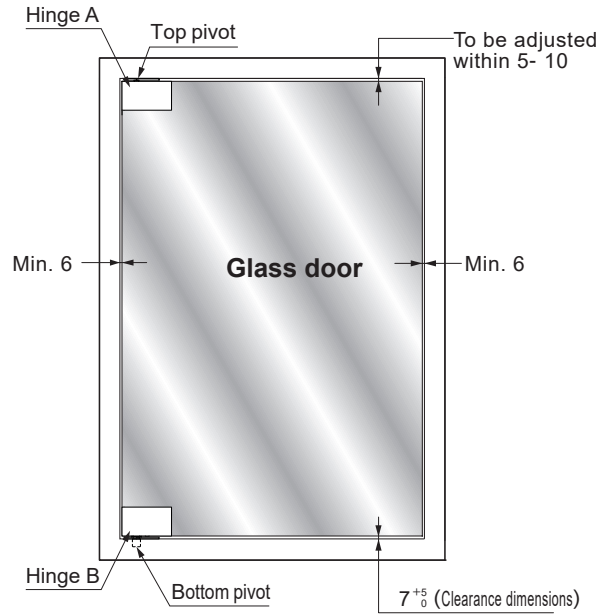
# INSTALLATION DRAWING (EXAMPLE)

**Caution**  
 Place a door stopper to prevent the glass door from being damaged when the door is over rotated inward.

**Left opening**



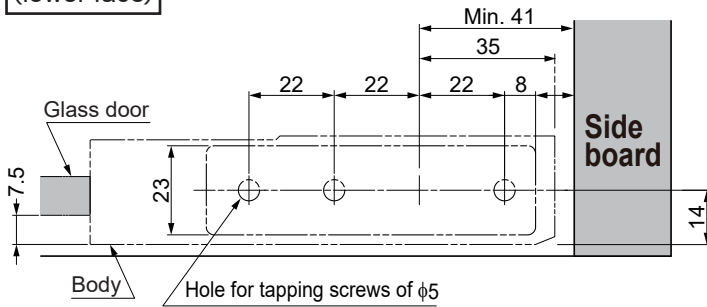
**Right opening**



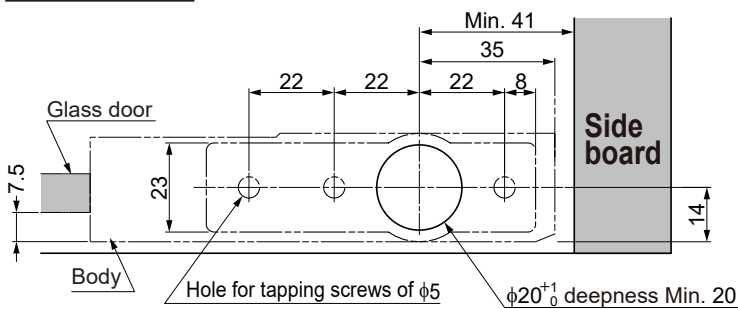
## DOOR AND CABINET PROCESS DIMENSIONS

(Right opening shown. The left opening is a mirror image.)

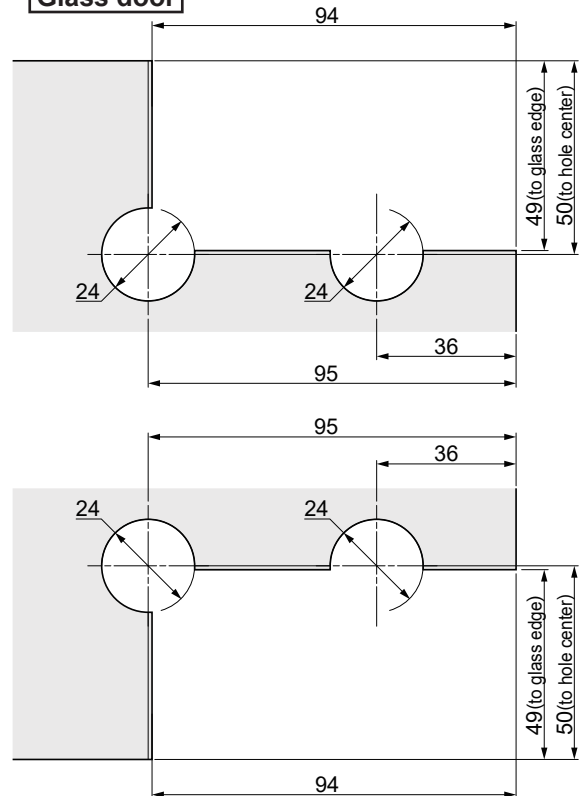
**Top board (lower face)**



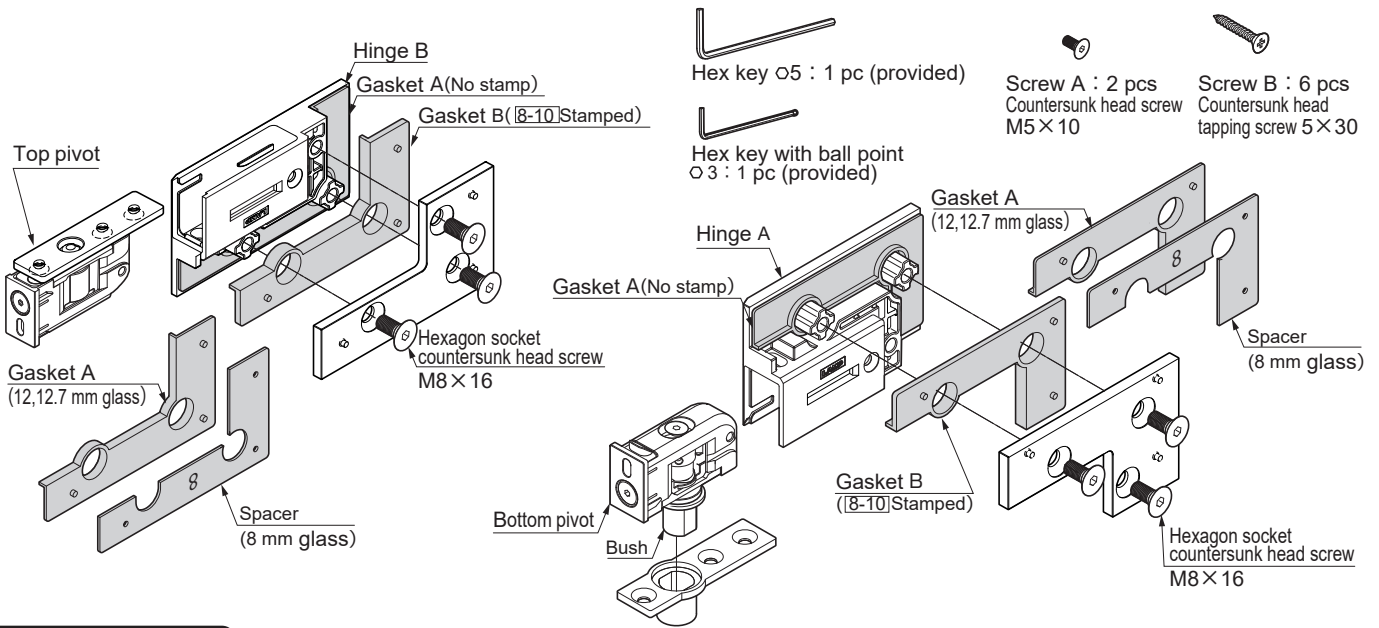
**Bottom board**



**Glass door**

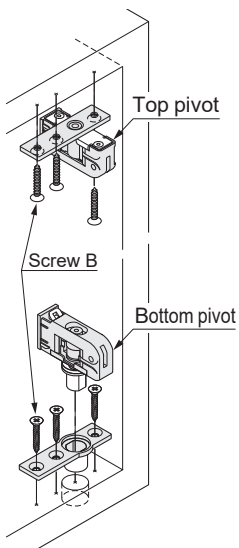


# COMPONENT PARTS (PER BOX)

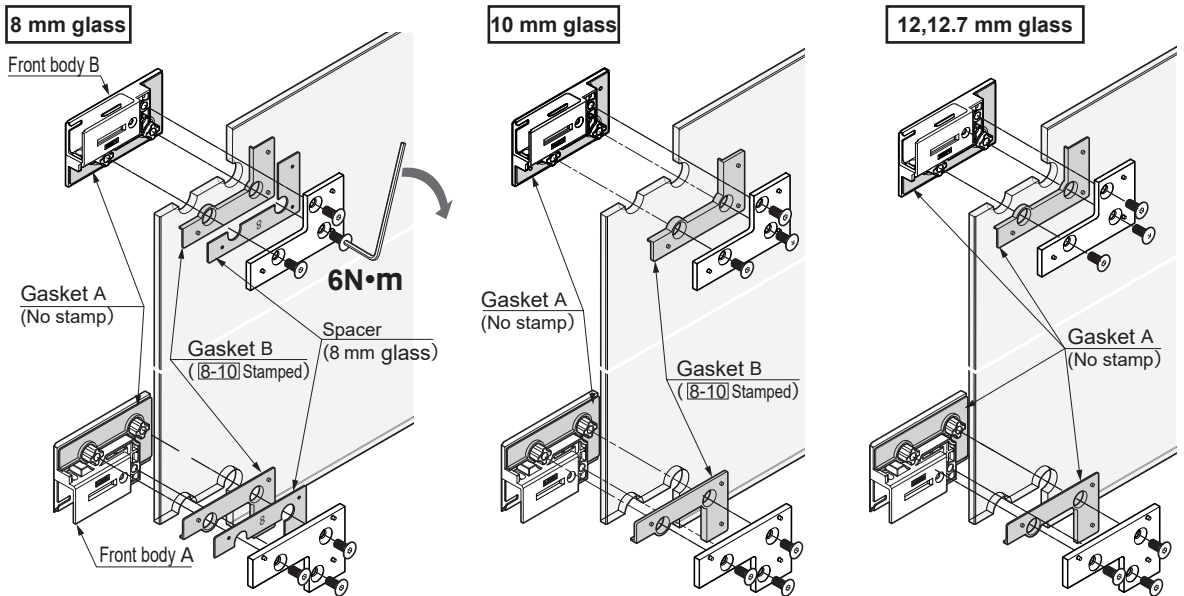


## INSTALLATION (Right opening)

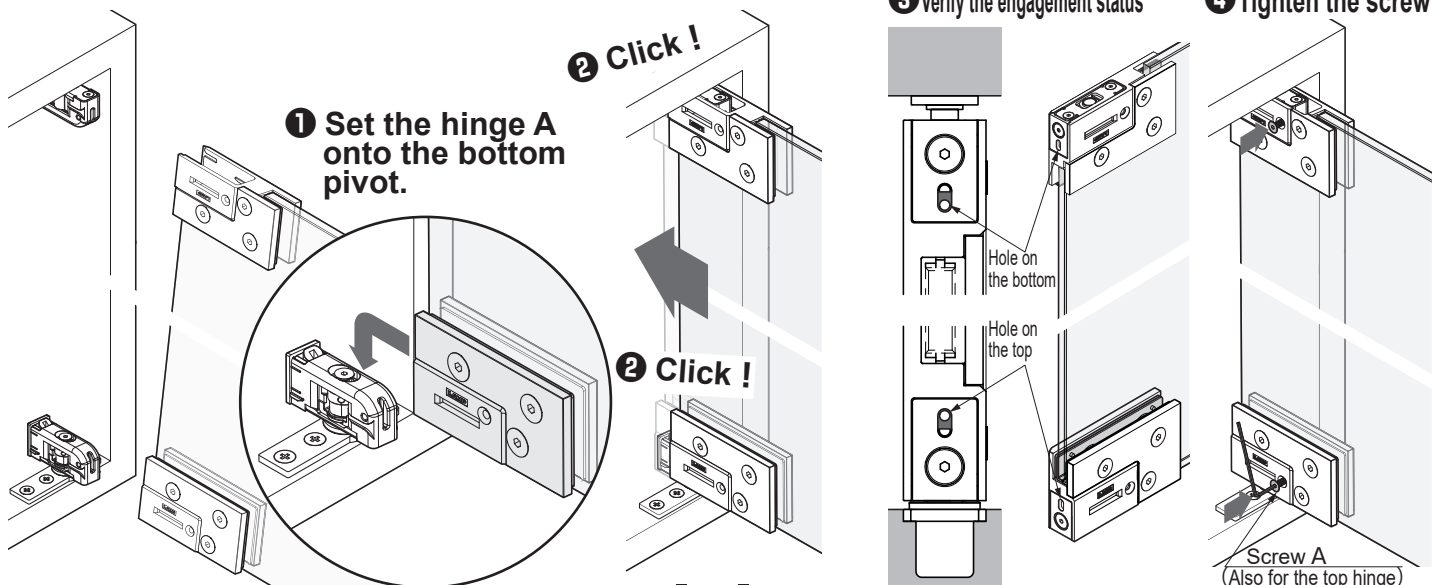
### 1 Installing pivot



### 2 Assembling hinge parts



### 3 Door installation

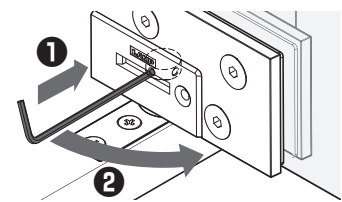
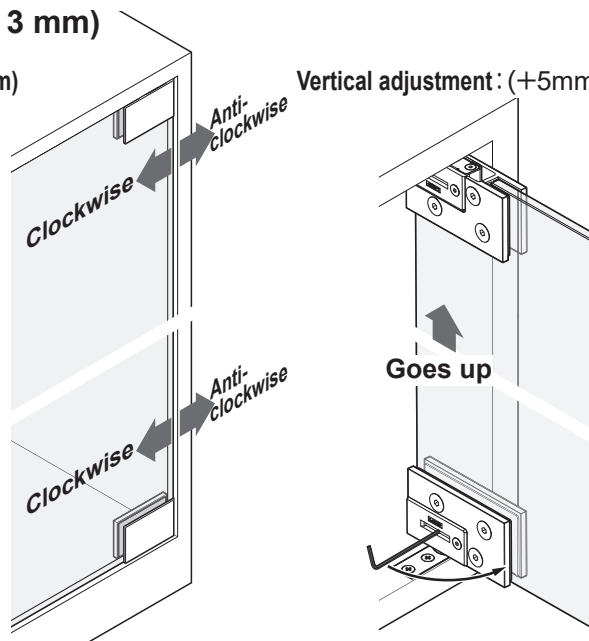
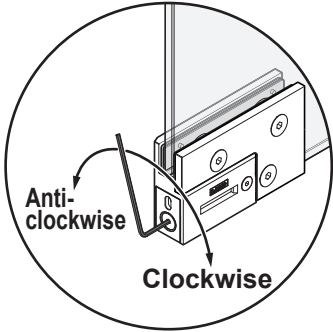


## 4 Door adjustment ( ± 3 mm)

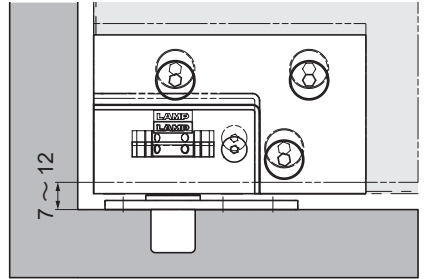
Horizontal adjustment: ( ± 3 mm)

Vertical adjustment: (+5mm)

**Caution**  
Do not turn adjustment screw beyond adjustment range.



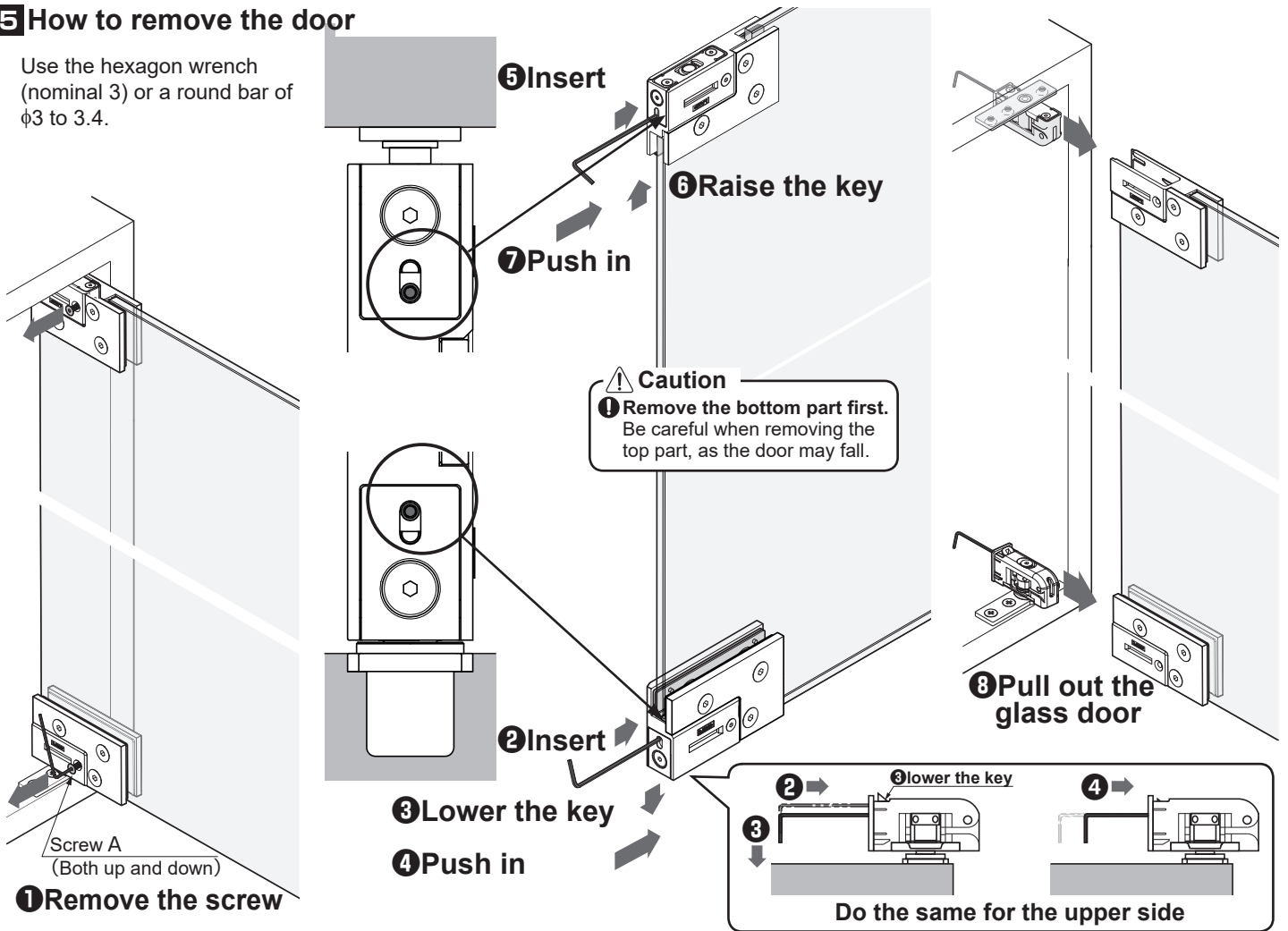
**Caution**  
Do not turn adjustment screw beyond adjustment range.



Default setting: the clearance is 7 mm (the lowest position).

## 5 How to remove the door

Use the hexagon wrench (nominal 3) or a round bar of  $\phi 3$  to 3.4.



**SUGATSUNE KOGYO CO.,LTD**  
Tokyo, JAPAN  
Phone: +81 (0)3 3866 2260 E-mail:export@sugatsune.co.jp

**SUGATSUNE KOGYO (UK) LTD**  
Reading, UK  
Phone: +44 118 9272 955 E-mail:sales@sugatsune.co.uk

**SUGATSUNE SHANGHAI Co., LTD**  
Shanghai, CHINA  
Phone: +86 21 3632 1858 E-mail:lamp@sugatsune.com.cn

**Guangzhou, CHINA**  
Phone: +86 20 6639 3552 E-mail:lamp@sugatsune.com.cn

**SUGATSUNE AMERICA, INC**  
California, USA  
Phone: +1 310 329 6373 E-mail:sales@sugatsune.com

**Chicago, USA**  
Phone: +1 312 461 1081 E-mail:chicagoshowroom@sugatsune.com.

**SUGATSUNE EUROPE GmbH**  
Düsseldorf, GERMANY  
Phone: +49 211 53812900 E-mail:sales@sugatsune.eu

**SUGATSUNE KOGYO INDIA PRIVATE LIMITED**  
Mumbai, INDIA  
Phone: +91 22 28314490/91 E-mail:sales@sugatsune.in

ISO9001(Japan Offices and Sugatsune America) and ISO14001(Chiba Production division and Logistics center), certified.

**SUGATSUNE CANADA, INC.**  
Phone: +1 514 312 5267 E-mail:support@sugatsune.ca