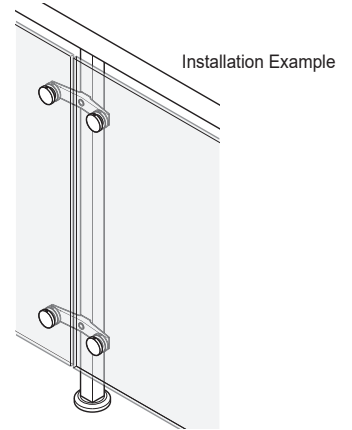


LAMP® GPA INSTRUCTIONS POINT FIX ARM-TYPE

- ① Front-mounting, double: GPA-F2 type
- ② Front-mounting, single: GPA-F1 type
- ③ Side-mounting, single: GPA-S1 type

Thank you for using our product.
Before installation, please read this manual thoroughly to ensure correct installation.
Please keep this manual at hand for future reference.

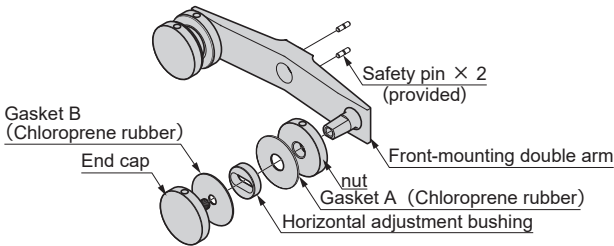


ABOUT THE PRODUCT

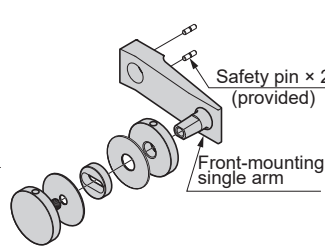
- This is a fixture to fix glass to the posts of handrails and produce glass fences.
- There are three types of mounting options. Front-mounting single/double arm and side-mounting single arm.
- Adjustable after mounting the glass plates.
- Glass thickness: 8 to 13.5 mm
- Load capacity: GPA-F1 type, GPA-F2 type... 350 N (36 kgf / 4 pcs)
GPA-S1 type..... 700 N (71 kgf / 4 pcs)

COMPONENT PARTS

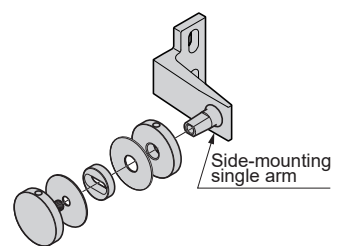
GPA-F2 type (front-mounting, double)



GPA-F1 type (front-mounting, single)



GPA-S1 type (side-mounting, single)



FOR YOUR SAFE WORK AND CORRECT INSTALLATION

Meaning of symbols

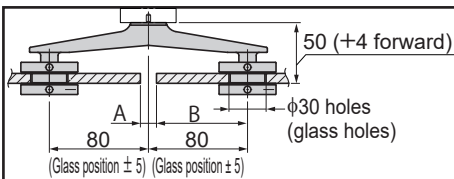


Caution : If not followed, injury or damage may result.

! Use a tempered glass. Using shatter-proof film is recommended.

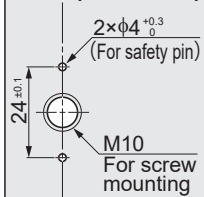
DIMENSIONS

For GPA-F2 type (front-mounting, double) ①
GPA-F1 type (front-mounting, single) ②

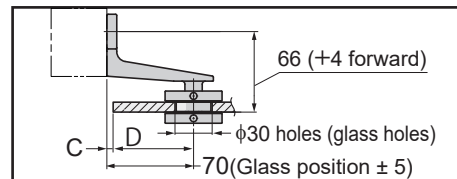
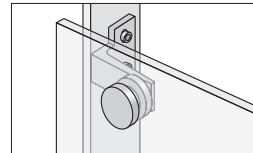


Determine A (glass clearance) and B (from the glass edge to the hole) with consideration of the dimensions shown above.

Post (front face)

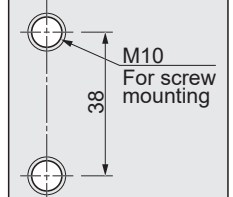


For GPA-S1 type (side-mounting, single) ③



Determine C (from the mounting surface to the glass edge) and D (from the glass edge to the hole) with consideration of the dimensions shown above.

Post (side face)

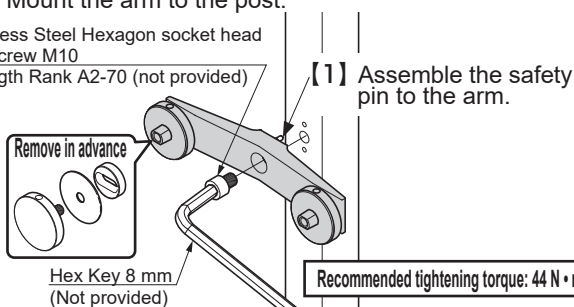


INSTALLATION PROCEDURE

1 Mounting on the post

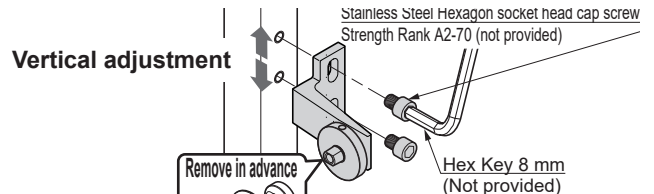
[2] Mount the arm to the post.

Stainless Steel Hexagon socket head cap screw M10
Strength Rank A2-70 (not provided)



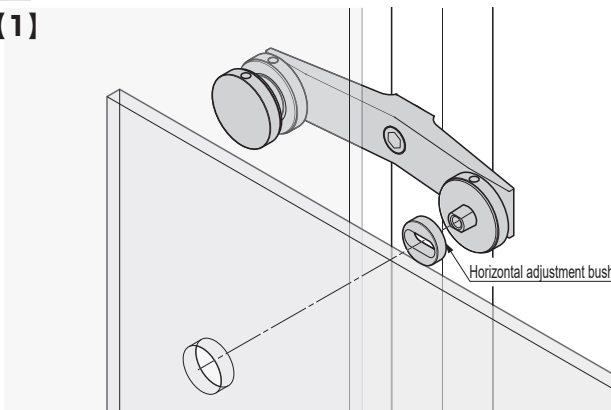
1 Mounting on the post

Mount the arm to the post.

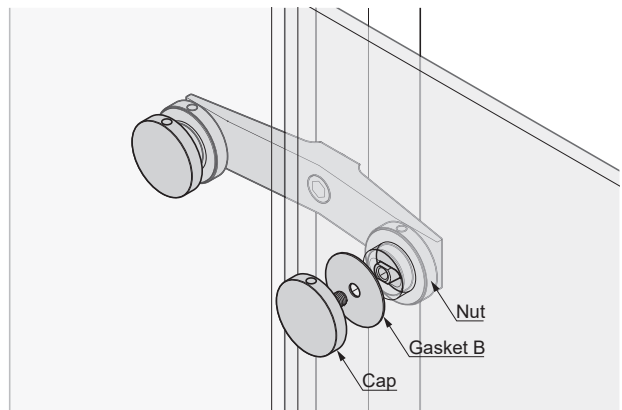


2 Mounting of Glass

[1]

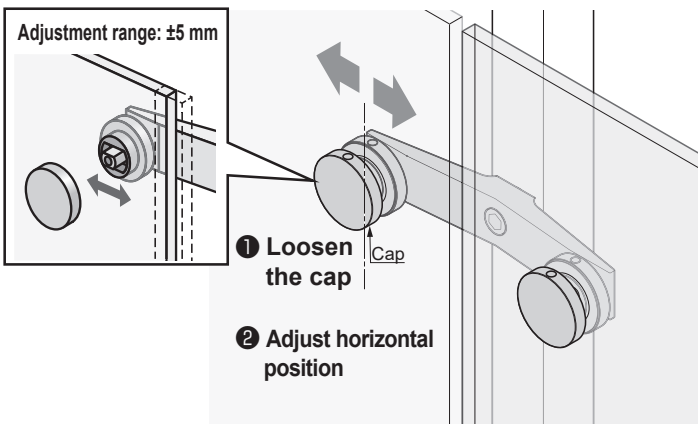
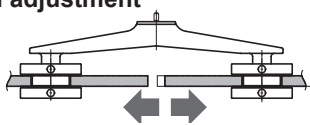


[2]

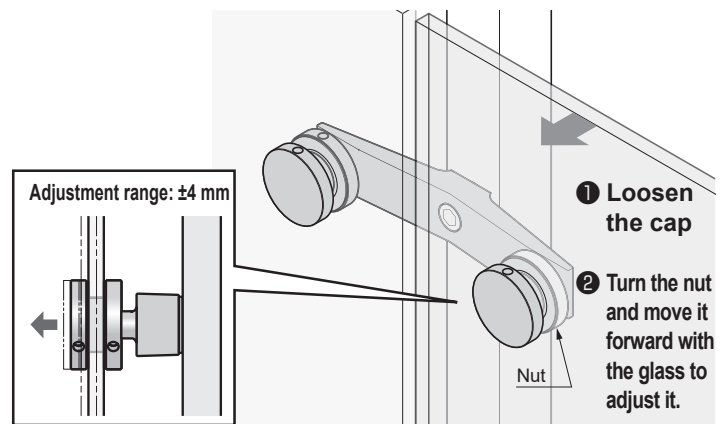
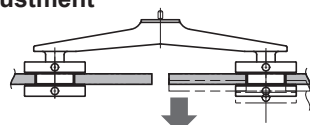


3 Adjusting Glass Position

Horizontal adjustment



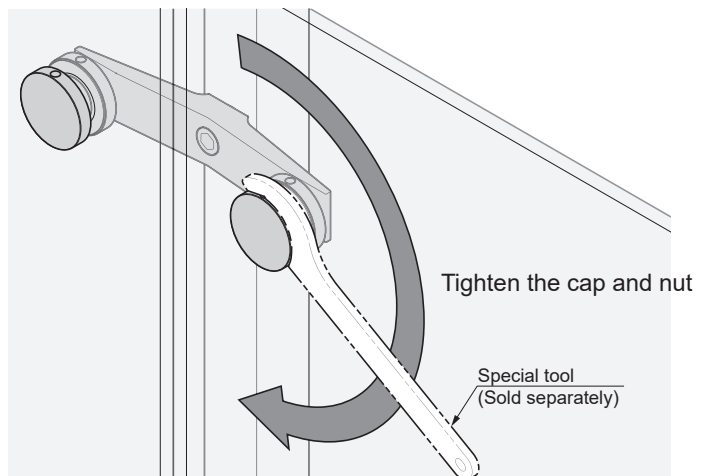
Depth adjustment



※ If the glass is heavy and the nut cannot be turned, lift the glass slightly.

4 Fixing of Glass

Fasten the cap to fix.



Recommended tightening torque: 12.5 N · m

SUGATSUNE KOGYO CO.,LTD
Tokyo, JAPAN
Phone: +81 (0)3 3866 2260 E-mail:export@sugatsune.co.jp

SUGATSUNE KOGYO (UK) LTD
Reading, UK
Phone: +44 118 9272 955 E-mail:sales@sugatsune.co.uk

SUGATSUNE EUROPE GmbH
Düsseldorf, GERMANY
Phone: +49 211 53812900 E-mail:sales@sugatsune.eu

ISO9001(Japan Offices and Sugatsune America) and ISO14001(Chiba Production division and Logistics center), certified.

SUGATSUNE SHANGHAI Co., LTD
Shanghai, CHINA
Phone: +86 21 3632 1858 E-mail:lamp@sugatsune.com.cn

Guangzhou, CHINA
Phone: +86 20 6639 3552 E-mail:lamp@sugatsune.com.cn

SUGATSUNE KOGYO INDIA PRIVATE LIMITED
Mumbai, INDIA
Phone: +91 22 28314490/91 E-mail:sales@sugatsune.in

SUGATSUNE AMERICA, INC
California, USA
Phone: +1 310 329 6373 E-mail:sales@sugatsune.com
Chicago, USA
Phone: +1 312 461 1081 E-mail:chicagoshowroom@sugatsune.com.

SUGATSUNE CANADA, INC.
Phone: +1 514 312 5267 E-mail:support@sugatsune.ca

2020.01 1371-2