

LAMP® FD35EV SLIDING DOOR SYSTEM Installation Manual

(For Mortised, Drop or False Ceiling, with Surface Mount Rollers- with Dual Soft Close)

Part No. FD35EVDHCMP

Thank you for using our product. Before installation, please read this manual thoroughly to ensure correct installation. Please keep this manual at hand for future reference.

ABOUT THE PRODUCT

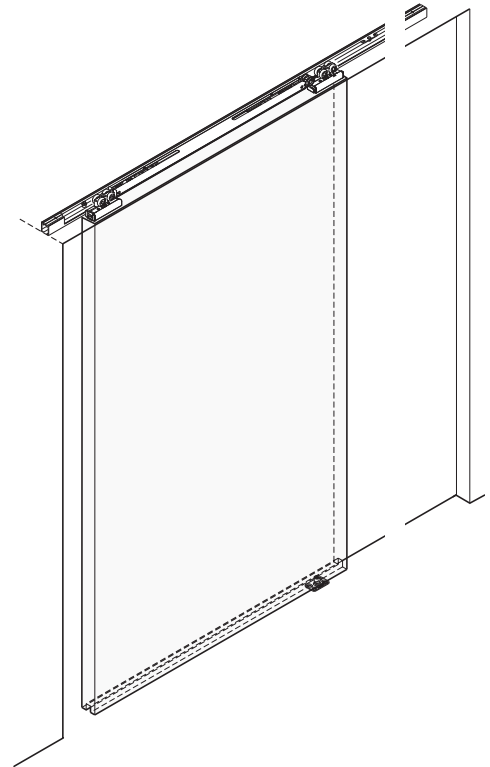
- This is a parts set for a sliding door system for residential & commercial use.
- The door closes in 2 soft motion steps; first slow, then fast, and opens with 1 step soft motion.
- The door can be installed without the use of tools.

SPECIFICATIONS

Door height	Max.2400 mm	2401 – 2700 mm
Door width	590 – 1200 mm	700 – 1200 mm
Min. Door thickness	Min. 22 mm	
Max. Door weight	35 kg / door ※1	
Vertical adjustment	2 mm upward, 4 mm downward	

- The closing speed of the soft closing type door may change depending on the ambient temperature, operating method or installation quality.
- Recommended ambient temperature range is 5 to 40 °C .

※1 When using a light weight door, you may feel the resistance of the soft closer when opening the door.



FOR YOUR SAFETY AND CORRECT INSTALLATION

Meaning of symbols

	Warning Caution		Prohibited		Required
--	------------------------	--	-------------------	--	-----------------

⚠ WARNING If not followed, death or serious injury may result.

- ❗ This product should be installed by a qualified person in accordance with this manual. If it is not installed correctly, the door may fall and cause injury.
- ❗ Provide a frame that can withstand the weight and impact of opening and closing the door. Be sure to use the specified screws and tighten them securely. If the mounting strength is insufficient, the door may fall and cause injury.
- ⊘ Do not use this product for any other purpose, or with doors that are outside the specifications of this manual.
- ⊘ Do not disassemble or modify any parts other than those described in this document.

⚠ Caution If not followed, injury or damage may result.

- ❗ Follow the specified dimensions, specifications, and alignment of the door and frame. Warping, tilting or twisting of the frame or door may cause failure.
- ❗ If cutting any parts, make sure to remove any burrs before installation. Also check the upper track for any left-over burrs or scraps and remove these.
- ❗ This product is a part for architectural fittings. After installation, please check the function and safety of the final product. Please inform the end user how to use the product safely.
- ❗ Make sure to check the screws for slack at regular intervals (one month from first usage, half a year, and then one time every year is recommended).

COMPONENT PARTS

No.	①		②		③		④
Name	Upper track for soft-closing (surface mount)	Upper track for soft-closing (recessed mount)	Upper track for standard sliding (surface mount)	Upper track for standard sliding (recessed mount)	Soft closer	Spanner wrench	Trigger & Trigger Jig
Item No.	FD35EV-TRM-SC	FD35EV-TRH-SC	FD35EV-TRM	FD35EV-TRH	FD35EV-WRM-DSC	FD35EV-WRM-SP8	FD35EV-TRG FD35EV-TRJ
Item	 Hole pitch : 300 mm Pitch end : 30 mm Recommended screw: Countersunk head tapping screw 3.5×25 Use the track for standard sliding for inline sliding		 Hole pitch : 300 mm Pitch end : 30 mm Recommended screw: Countersunk head tapping screw 3.5×25		 Accessory screw: Countersunk head tapping screw 4 × 40...3 ㄱ		 Accessory screw: Countersunk head tapping screw 4 × 30 (D6) ...2 pcs
Single sliding	either one		-		1 pc	-	1 pc
Double sliding	either one		-		2 pcs	-	2 pcs
In line sliding	-		either one		2 pcs	-	2 pcs

No.	⑤	⑥	⑦	⑧	⑨	Optional parts	⑩
Name	Upper roller	Floor guide S	Bumper block	Trigger	Door bottom guide track		Door stopper (floor mount)
Item No.	FD35EV-WRM	FD50-BGR18	FD35EV-HBB	FD35EV-TRG	FD30-HRBT1500SIL		FD30-HTKY
Item	 Accessory screw: Countersunk head tapping screw 4 × 40 ... 3 pcs	 Accessory screw: Countersunk head tapping screw 4 × 20 4 pcs			 Hole pitch : 250 mm Pitch end : 30 mm Recommended screw: Countersunk head tapping screw 4×20	 Accessory screw: Bind head tapping screw 4×30 3 pcs	
Single sliding	1 pc	1 pc	-	-	1 pc		
Double sliding	2 pcs	2 pcs	-	-	2 pcs		
In line sliding	2 pcs	2 pcs	1 pc	2 pcs	2 pcs		

ASSEMBLY

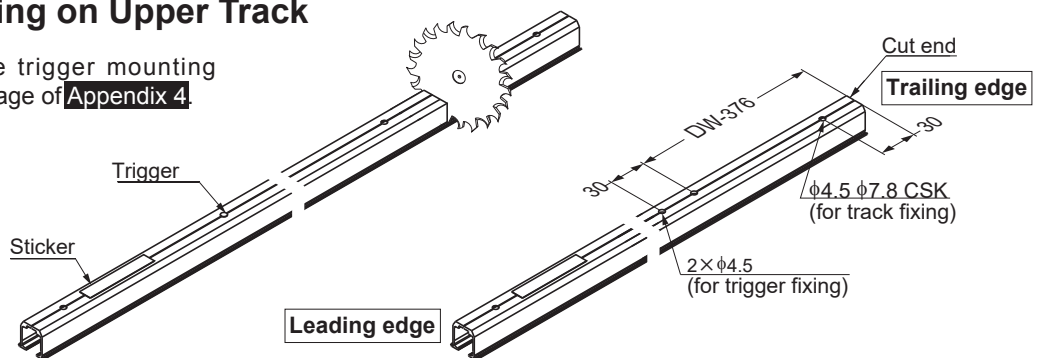
(In this manual, a single sliding door is used as an example.)

1 Cutting and Hole Drilling on Upper Track

The method of calculating the trigger mounting position is described on the last page of **Appendix 4**.

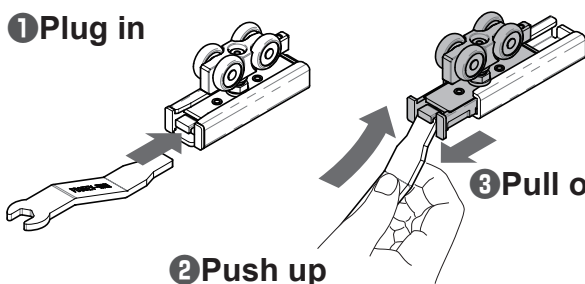
Caution
Do not cut trigger side (with sticker) of upper track.

Caution
When cutting, reinforce the track to prevent deformation at the cut section.

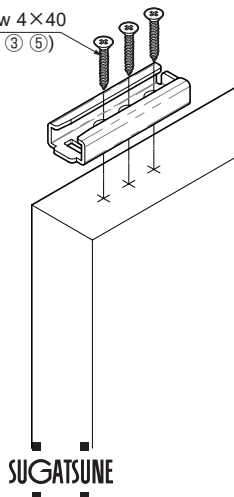


2 Mounting Parts on Door

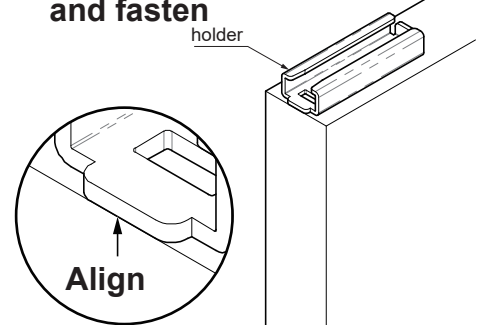
① Plug in



Tapping screw 4×40 (included in ③ ⑤)



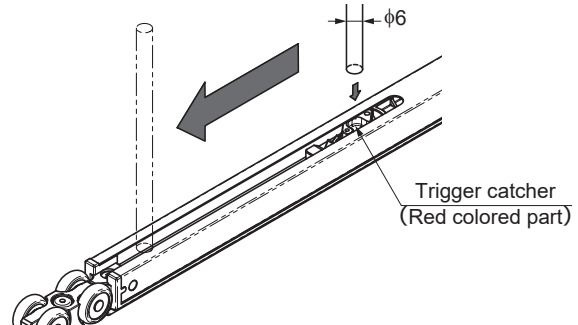
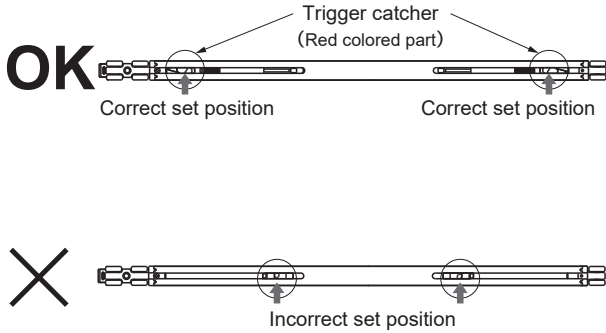
④ Align the door end and the holder end and fasten



3 Verification Before Installing Soft Closer

Caution
Without verification the self closing feature may fail.

If the position is wrong, pull back the trigger catcher to the correct position using a 6 mm diameter round bar.

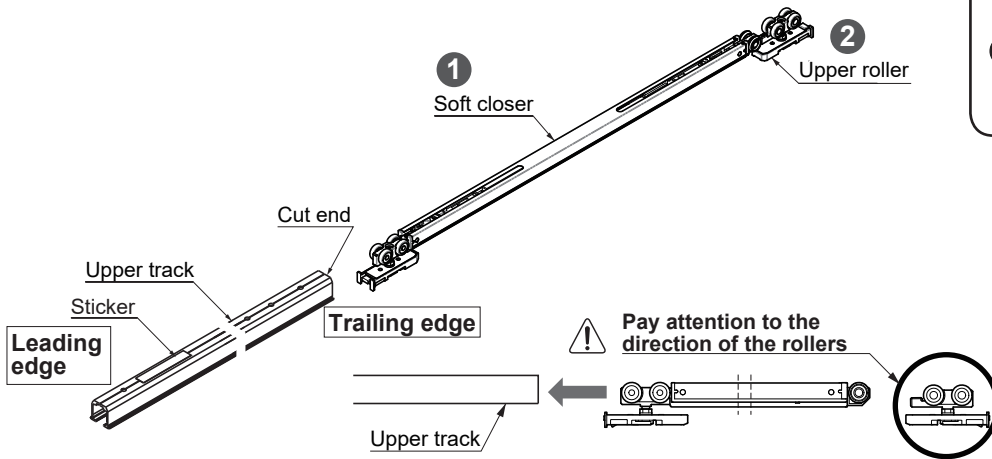


4 Inserting Parts into Upper Track

Insert the parts in order from ① to ② with care of direction.

Caution

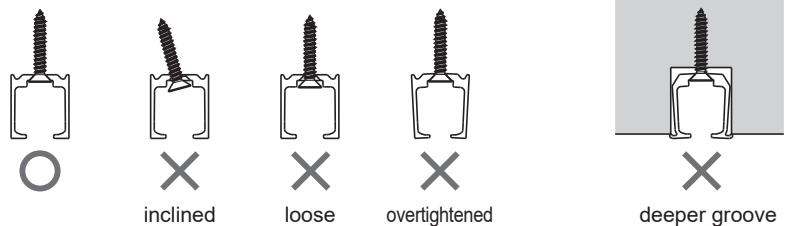
- Remove any dirt or aluminum chips from the track.
- Fasten bumper blocks temporarily to prevent the inserted parts from falling.



5 Mounting of Upper Track (Recommended screw: Countersunk head tapping screw 3.5×25)

Caution

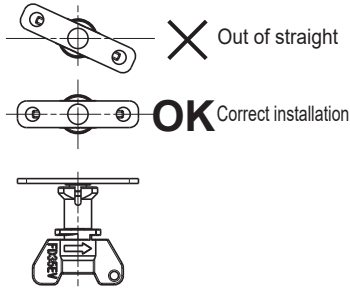
- Be careful not to overtighten the screws and screw heads protruding on upper track.
- It may cause deformation of track or damage of soft closer.



6 Fastening of Additional Trigger

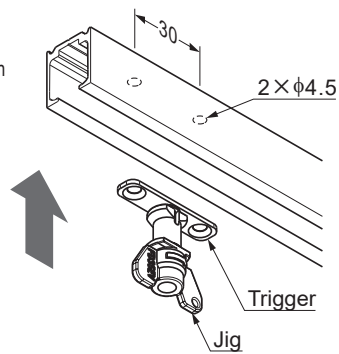
Fasten trigger to the hole made during procedure 1 with provided screws.
The jig makes it easy to install the trigger.

1 Assemble trigger to jig.

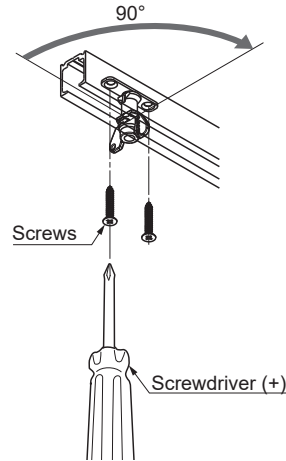


Trigger assembly

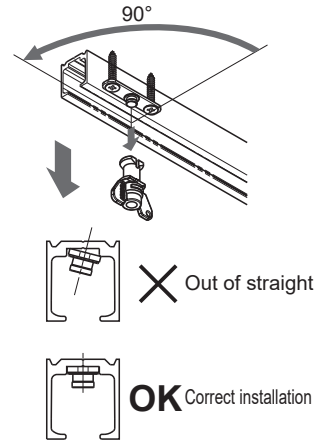
2 Align trigger with the holes.



3 Turn the jig 90° and fix the trigger.

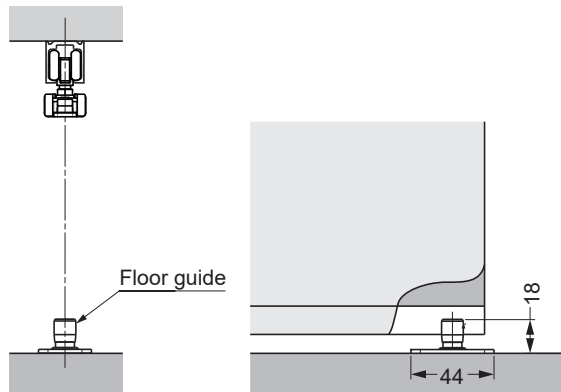


4 Remove the jig.

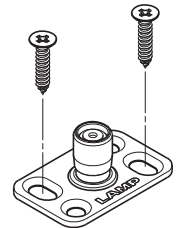


7 Mounting of Floor Guide Temporarily

Position floor guide just below the center of the upper track.

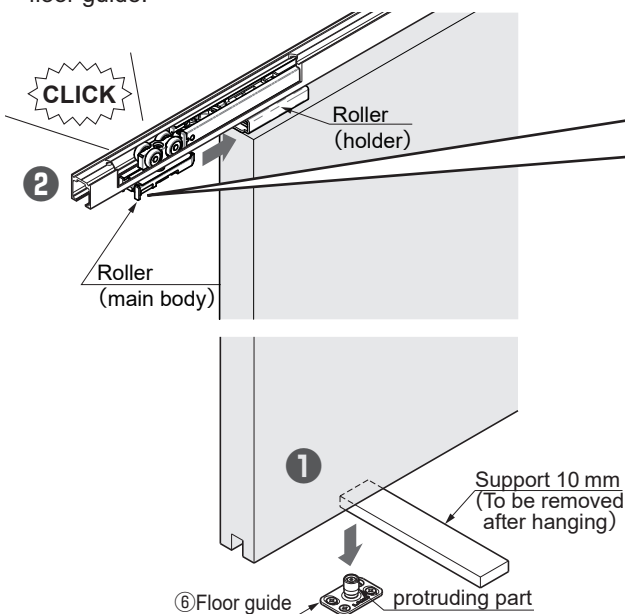


Temporarily fasten through the slotted holes with the provided screws.

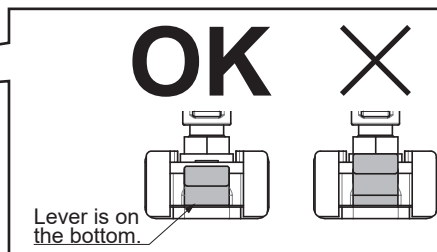


8 Hanging Door

- Place a 10 mm support under the door.
- While holding the door, place the groove under the door on the protruding part of the floor guide.



Caution
Verify that the main unit is not dislocated from the casing, either of the door ends.



3 Verification of Soft Closer Operation

- Starting point of soft - close.
Leading edge : approx. 100 mm before closed position.
Trailing edge : approx. 50 mm before closed position.

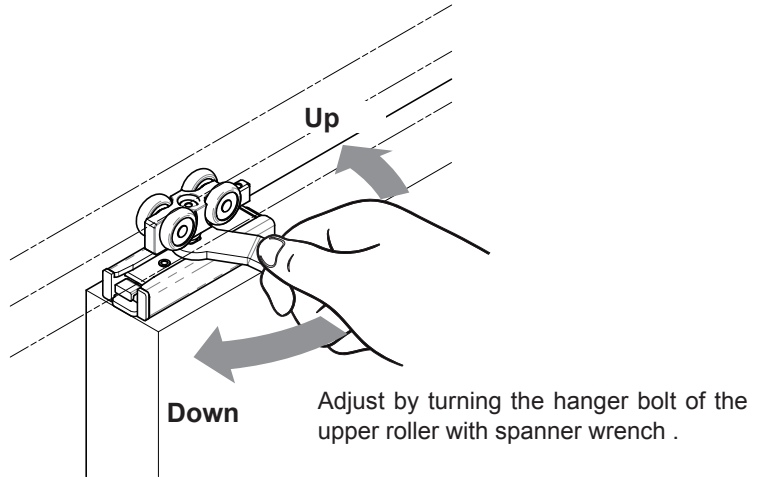
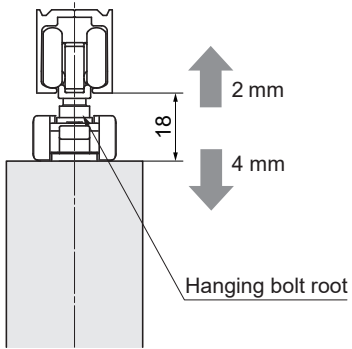
9 Adjustment of Door Height

Adjust door parallel to the upper track with 6 - 12 mm clearance between the door and floor.

⚠ Caution

- ⊘ Do not turn the adjustment screw beyond the adjustment range. It may cause damage

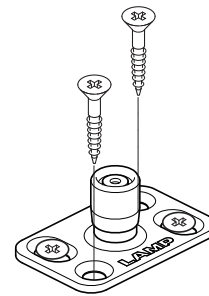
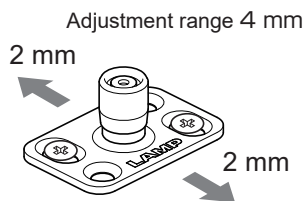
Adjustment range : 6 mm



10 Adjusting, Fastening the Floor Guide

If the door movement is not smooth, remove the door, then adjust the floor guide forwards or backwards.

Tighten all four screws after the adjustment.



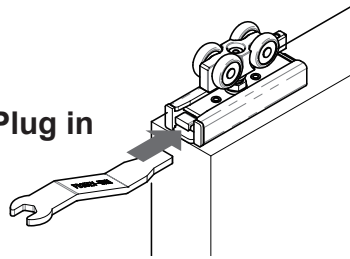
Appendix 1 How to remove door

Use a 10 mm support under the door.

⚠ Caution

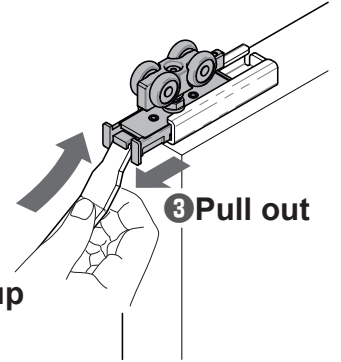
Pay attention not to let the door fall.

① Plug in



Insert the flat end of the spanner into the lever part of the upper roller. (A flat-blade screwdriver can be used as a substitute.)

② Push up



③ Pull out

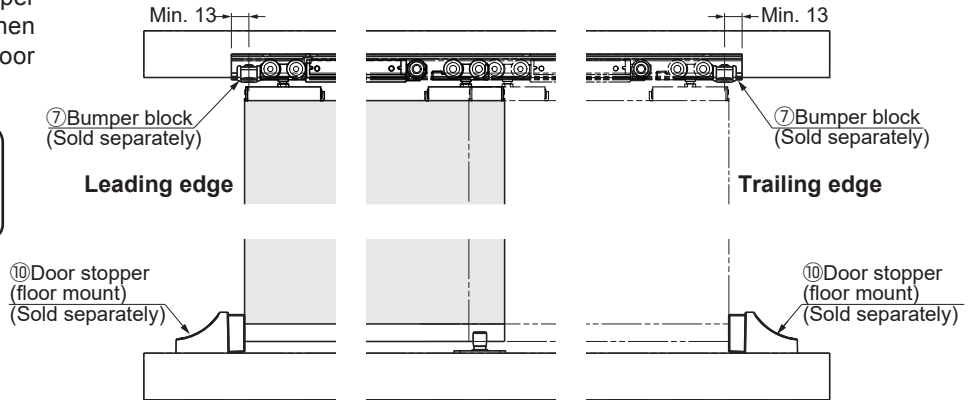
Appendix 2 When Vertical Frame is not Used

When vertical frame is not used, use the door stopper ⑩ and bumper block ⑦ on the track and on the floor.

Fasten the door stopper at the location where the door will stop. Fix the bumper block to both the upper track ends, then adjust it to the position where the door closes.

⚠ Caution

The soft closer may be damaged if door stopper and bumper block are not installed.

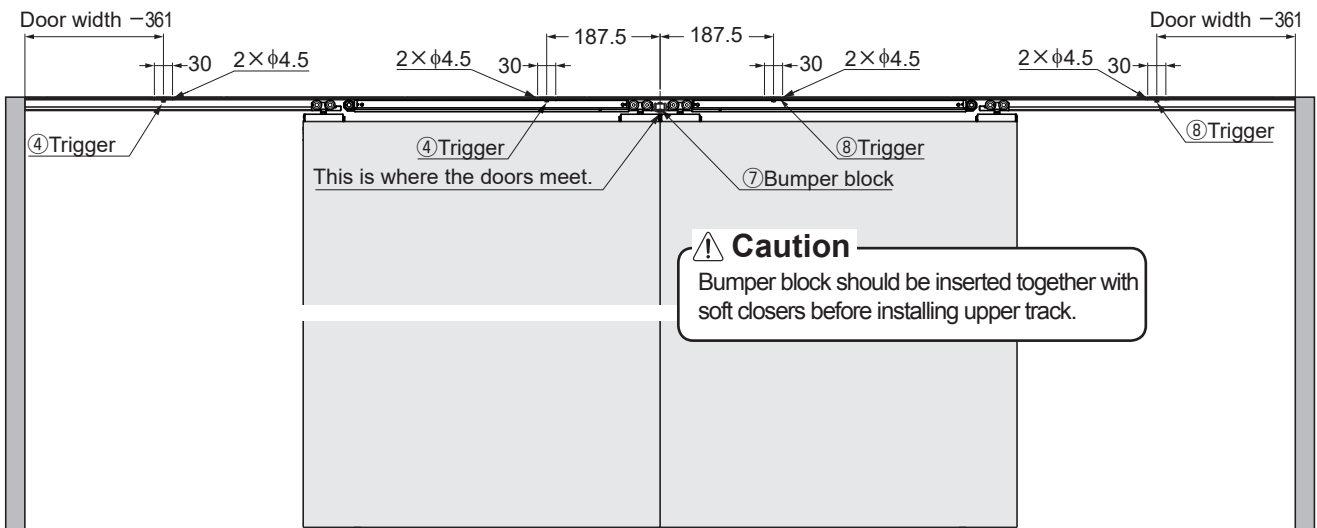


Appendix 3 Positions of Trigger for In Line Sliding

Process holes according to the drawing below.

⚠ Caution

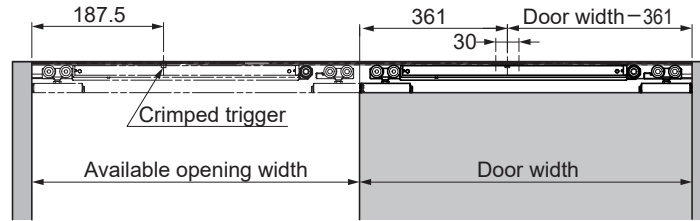
Use the track for standard sliding for this application.



Appendix 4 Trigger positions

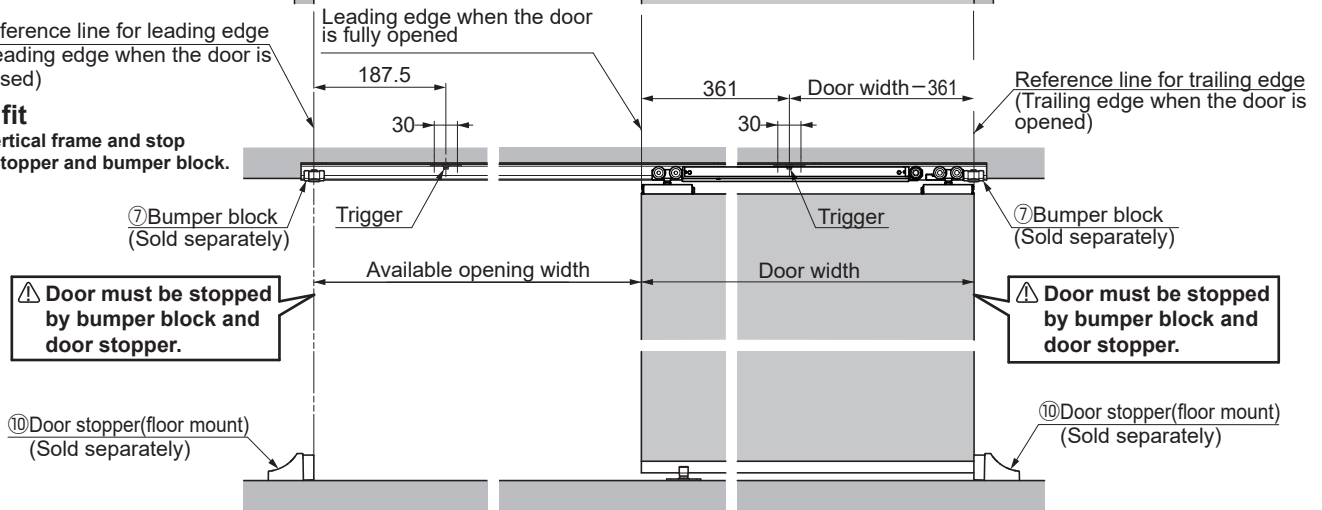
Standard installation

Upper track installed inside door jamb



Special fit

(e.g.) No vertical frame and stop with door stopper and bumper block.



PERIODICAL INSPECTION

- Clean the inside of the track.
- Check the upper and lower space of the door. If necessary, correct the space.

TROUBLESHOOTING

Trouble	Checkpoint	Solution
Door stops during soft closing.	Check if door bottom contacts the floor.	Verify that the track fixing screws are not loosened. Then, adjust the door height such that the clearance between the door bottom and floor is 6 - 12 mm.
	Check if upper track is set horizontally.	Using a level gauge, reset upper track horizontally.
	Check if mohair seal is installed.	Reduce the friction between mohair and door.
The door doesn't close softly.	Check if trigger is installed.	Install trigger to correct position.
	Check if door is closed by excessive force.	Do not close door by excessive force as it may damage soft closer.
	The position of the trigger catcher in page 3 section 3 may become dislocated. (It is hidden as installed in upper track.)	Slowly move the door towards the leading edge, then push the door firmly. Repeat this action on the opposite side as well. If it is still not improved, check the status of the trigger catcher in section 3.
Abnormal noise during operation	Check if door bottom contacts the floor or floor guide	Verify that the track fixing screws are not loosened. Then, adjust the door height such that the clearance between the door bottom and floor is 6 - 13 mm.
	Check track rollers for aluminum dust.	Remove the track and pull out the roller. Then, clean the roller.
	Check for loose screws retaining the upper track.	Tighten the screw.
Heavy door operation	Check if door bottom contacts the floor or floor guide	Verify that the track fixing screws are not loosened. Then, adjust the door height such that the clearance between the door bottom and floor is 6 - 13 mm.
Door starts to move.	Check if the upper track is set horizontally.	Using a level gauge, reset the upper track horizontally.

INSTALLATION DRAWING (EXAMPLE)

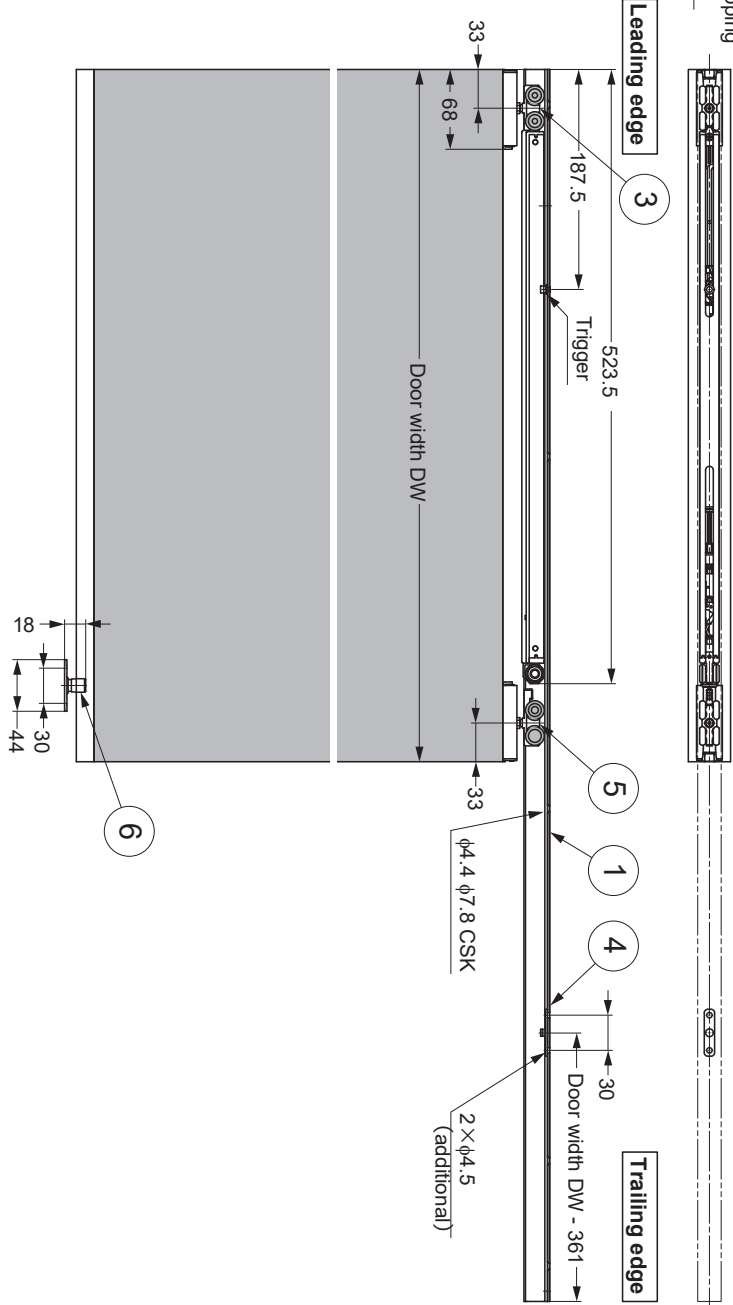
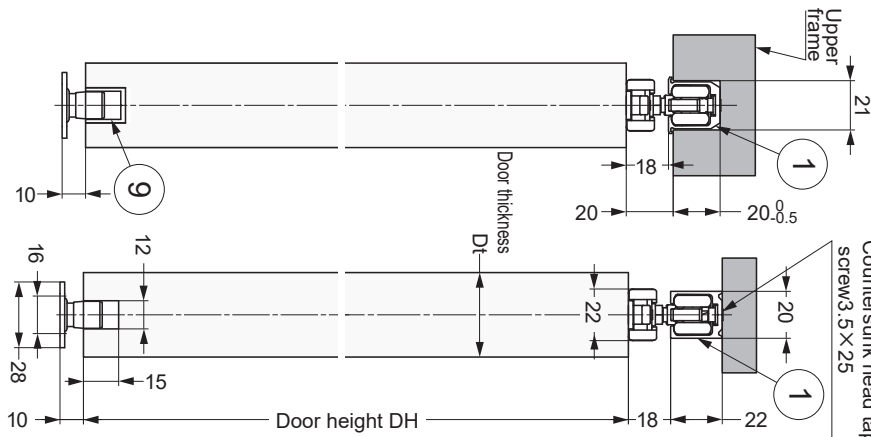
(In this manual, a single sliding door is used as an example.)

See "APPENDIX 4" for the position of trigger.

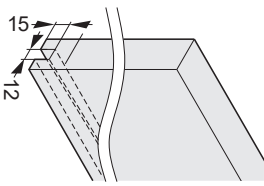
Upper track
(recessed mounted)

Upper track
(surface mounted)

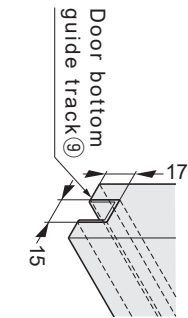
Recommended screw:
Countersunk head tapping
screw 3.5 X 25



[Door process dimensions]



When using door bottom guide track ⑨
(Optional parts)



CAUTION
See P.6 APPENDIX 2 when door stopper ⑩ (option) is used.

SUGATSUNE KOGYO CO.,LTD
Tokyo, JAPAN
Phone: +81 (0)3 3866 2260 E-mail:export@sugatsune.co.jp
SUGATSUNE KOGYO (UK) LTD
Reading, UK
Phone: +44 118 9272 955 E-mail:sales@sugatsune.co.uk

SUGATSUNE SHANGHAI Co., LTD
Shanghai, CHINA
Phone: +86 21 3632 1858 E-mail:lamp@sugatsune.com.cn
Guangzhou, CHINA
Phone: +86 20 6639 3552 E-mail:lamp@sugatsune.com.cn

SUGATSUNE AMERICA, INC
California, USA
Phone: +1 310 329 6373 E-mail:sales@sugatsune.com
Chicago, USA
Phone: +1 312 461 1081 E-mail:chicagoshowroom@sugatsune.com.

8 SUGATSUNE EUROPE GmbH
Düsseldorf, GERMANY
Phone: +49 211 53812900 E-mail:sales@sugatsune.eu
SUGATSUNE KOGYO INDIA PRIVATE LIMITED
Mumbai, INDIA
Phone: +91 22 28314490/91 E-mail:sales@sugatsune.in
ISO9001(Japan Offices and Sugatsune America) and ISO14001(Chiba Production division and Logistics center), certified.

SUGATSUNE CANADA, INC.
Phone: +1 514 312 5267 E-mail:support@sugatsune.ca