

# LAMP® FD25SP SLIDING DOOR SYSTEM Installation Manual

## Recessed Mount Roller, Two-Way Soft Close

Part No.FD25SPDHCP

Thank you for using our product. Before installation, please read this manual thoroughly to ensure correct installation. Please keep this manual at hand for future reference.

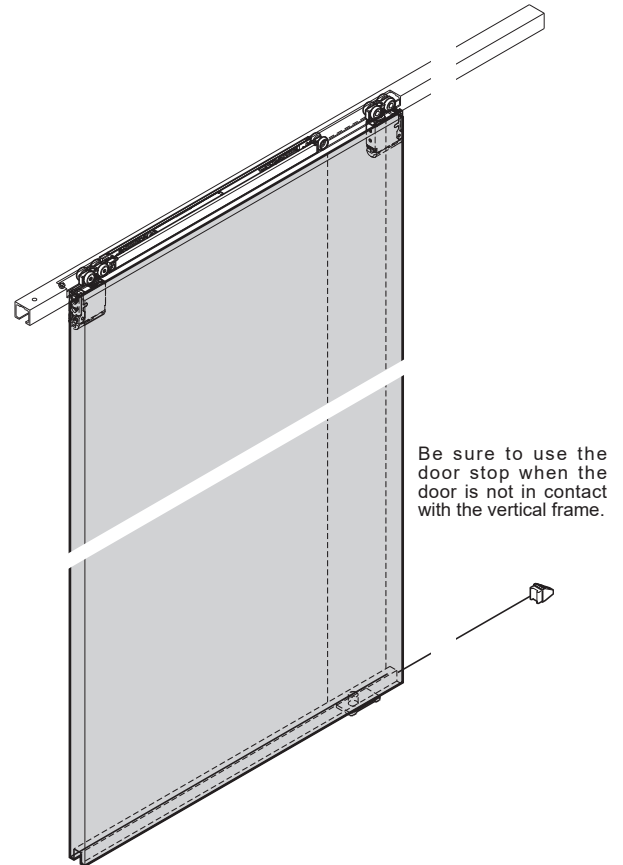
### ABOUT THE PRODUCT

- This is a parts set for a sliding door system for indoor use.
- Closer operates in both directions to open and close the door, and slowly and gently pull it in.
- The door can be installed without the use of tools.

### SPECIFICATIONS

Height of the door.	2400 mm or less
Door width	464 — 1000 mm
Min. Door thickness	24 mm
Max. Door weight	25 kg ※ <sup>1</sup> / door
Vertical adjustment	± 3 mm
Depth adjustment	± 2 mm

- The closing speed of the door may change depending on the ambient temperature, operation, or installation quality.
  - The recommended ambient temperature range is 5°C to 40°C.
- ※<sup>1</sup> When using a light weight door, you may feel the resistance of the soft closer when opening the door.



### FOR YOUR SAFETY AND CORRECT INSTALLATION

#### Meaning of symbols

	<b>Warning Caution</b>		<b>Prohibited</b>		<b>Required</b>
--	------------------------	--	-------------------	--	-----------------

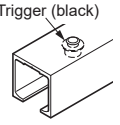
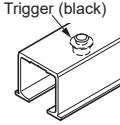
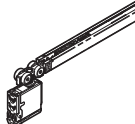


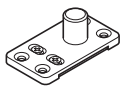
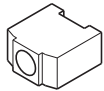

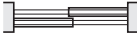

**Warning:** If not followed, death or serious injury may result.


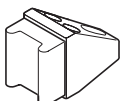
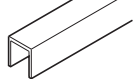
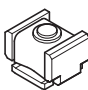
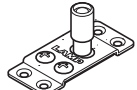

- ❗ This product should be installed by a qualified person in accordance with this manual. If it is not installed correctly, the door may fall and cause injury.
- ❗ Provide a frame that can withstand the weight and impact of opening and closing the door. Be sure to use the specified screws and tighten them securely. If the mounting strength is insufficient, the door may fall and cause injury.
- ⊘ Do not use this product for any other purpose, or with doors that are outside the specifications of this manual.
- ⊘ Do not disassemble or modify any parts other than those described in this document.

**Caution:** As well as being slightly injured, Indicates the contents that may cause property damage.

- ❗ Follow the specified dimensions, specifications, and alignment of the door and frame. Warping, tilting or twisting of the frame or door may cause failure.
- ❗ If cutting any parts, make sure to remove any burrs before installation. Also check the upper track for any left-over burrs or scraps and remove these.
- ❗ This product is a part for architectural fittings. After installation, please check the function and safety of the final product. Please inform the end user how to use the product safely.
- ❗ Make sure to check the screws for slack at regular intervals (one month from first usage, half a year, and then one time every year is recommended).
- ❗ When installing the "pocket door", make an "easy-maintenance" structure. For example, use a removable panel.
- ❗ Install the product with 2 people (in the case of 1 person, there is a risk of damaging components).

# COMPONENT PARTS

No	①	②	③	④	⑤	⑥	⑦
Product name	Upper track for soft-closing (surface mount)	Upper track for soft-closing (recessed mount)	Soft closer (two-way)	Trigger, jig	Upper roller	Floor guide (With rollers)	Stopper
Part number	FD25SP-TRM	FD25SP-TRH	FD25SP-WRH-DSC	FD25SP-30-TRG FD25SP-30-TRJ	FD25SP-WRH-N	FD30-HBG	FD30-HSB
Parts	 Trigger (black)	 Trigger (black)	 Accessory: Pan head tapping screw 3.5×30 ..... 3 pcs	 Retrofit Trigger (black) Jig	 Accessory: Pan head tapping screw 3.5×30 ..... 3 pcs	 Accessory: Countersunk head tapping screw 3.5×30 ..... 4 pc	
Single sliding door		1 for face or excavation	1 pc	1 pc	1 pc	1 pc	—
Sliding door		Two pieces for surface application or digging	2 pcs	2 pcs	2 pcs	2 pcs	—
Separate sliding doors		Two pieces for surface application or digging	2 pcs	2 pcs	2 pcs	2 pcs	2 pcs

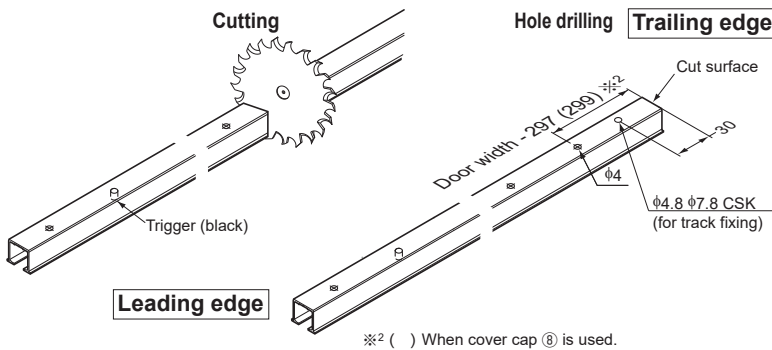
No	⑧	⑨	⑩	⑪	⑫	Accessories	
Product name	Cover cap	Door stopper	Embedded Lower Guide Rail	Bumper Block	Floor guide (long shaft)		Spanner wrench
Part number	FD25SP-WRH-CP	FD30-HTKY	FD30-HBRT	FD30-HBB	FD30-HBGH		FD25SP-SP
Parts		 Included: Cross-recessed binding Tapping screw 4×30 ..... 3 pcs	 1000 mm~1500 mm Hole pitch :250 mm Pitch end: 30 mm Recommended screws: Countersunk head tapping screw 4×20		 Included: Countersunk head tapping Screw (stainless steel) 3.5×30 ..... 4 pc		

# INSTALLATION PROCEDURE

(In this manual, a single sliding door is used as an example.)

## 1 Cutting and Hole Drilling on Upper Track

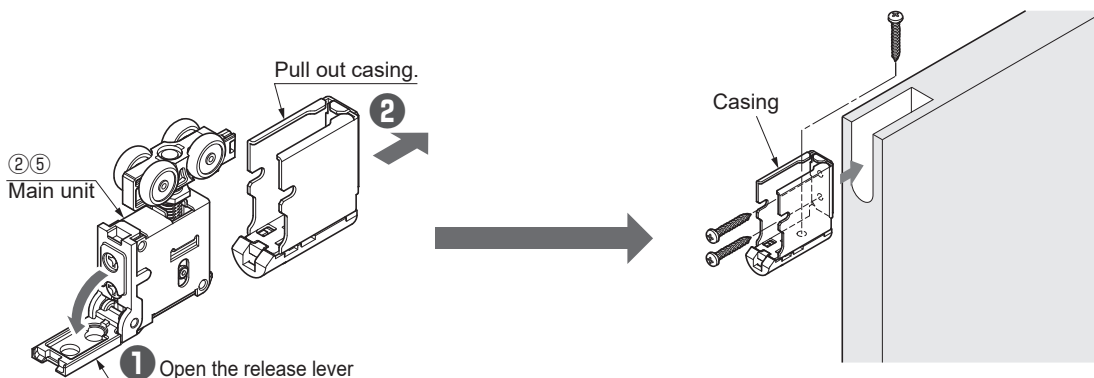
The method of calculating the trigger mounting position is described on page 7 Appendix 3.



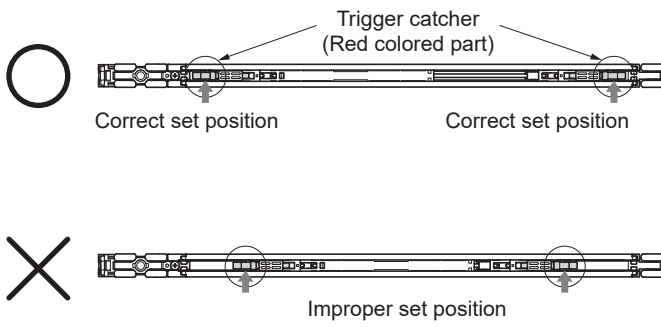
**⚠ Caution**  
 Do not cut trigger side (with door end) of upper track.

**⚠ Caution**  
 When cutting, reinforce the track to prevent deformation at the cut section.

## 2 Mounting of opening Casing

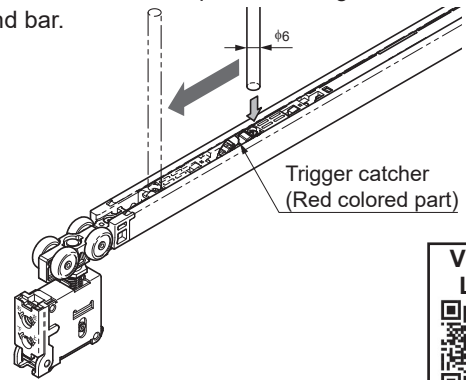


### 3 Verification Before Installing Soft Closer



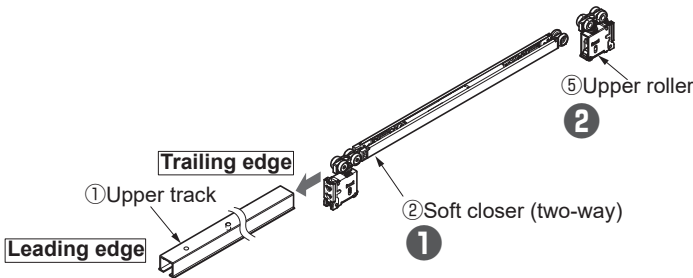
**⚠ Caution**  
Without verification the self closing feature may fail.

If the trigger position is wrong, pull back the trigger catcher to the correct position using a 6 mm diameter round bar.



### 4 Inserting Parts into Upper Track

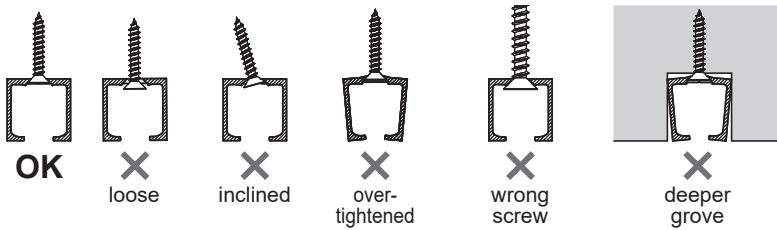
Insert the parts in order from ① to ② with care of direction.



**⚠ Caution**

- ❶ Remove any dust or aluminum chips from the upper track.
- ❶ Tape around rollers and upper track to prevent the inserted parts from falling.

### 5 Mounting of Upper Track (Recommended screw: Countersunk head tapping screw 3.5 × 20)

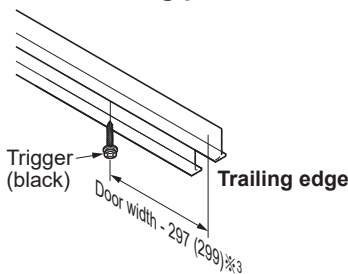


**⚠ Caution**

- ❶ Be careful not to overtighten the screws and screw heads protruding on upper track.
- ⊘ It may cause deformation of track or damage of soft closer.

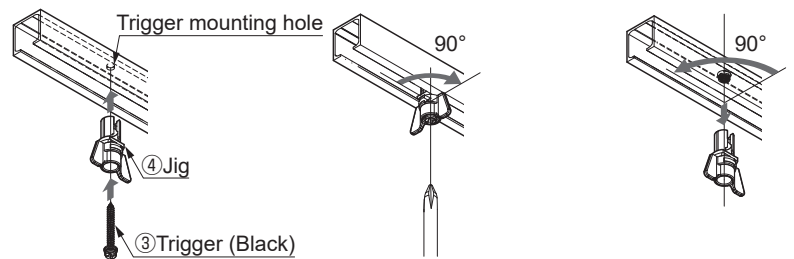
### 6 Fastening Trigger

#### [1] Mounting position



※<sup>3</sup> ( ) When cover cap ⑧ is used.

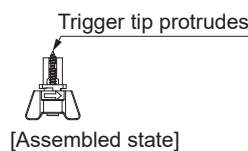
#### [2] How to use the mounting jig



1. Align the trigger and jig with the mounting hole.

2. Install trigger.

3. Remove the jig.



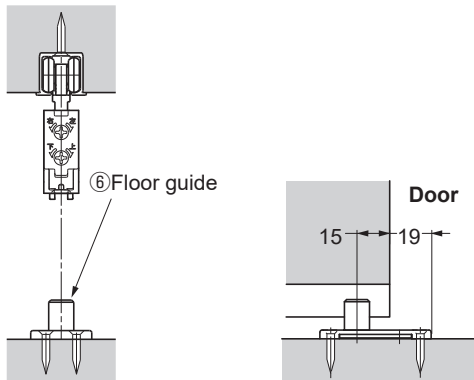
⊘ Incomplete.

⊘ Out of straight.

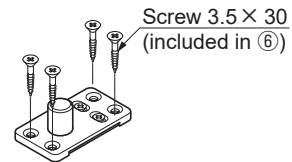
OK Correct installation

## 7 Mounting of Floor Guide

Position the floor guide below the center of the upper track, so that it is covered by the door when it is opened and closed.

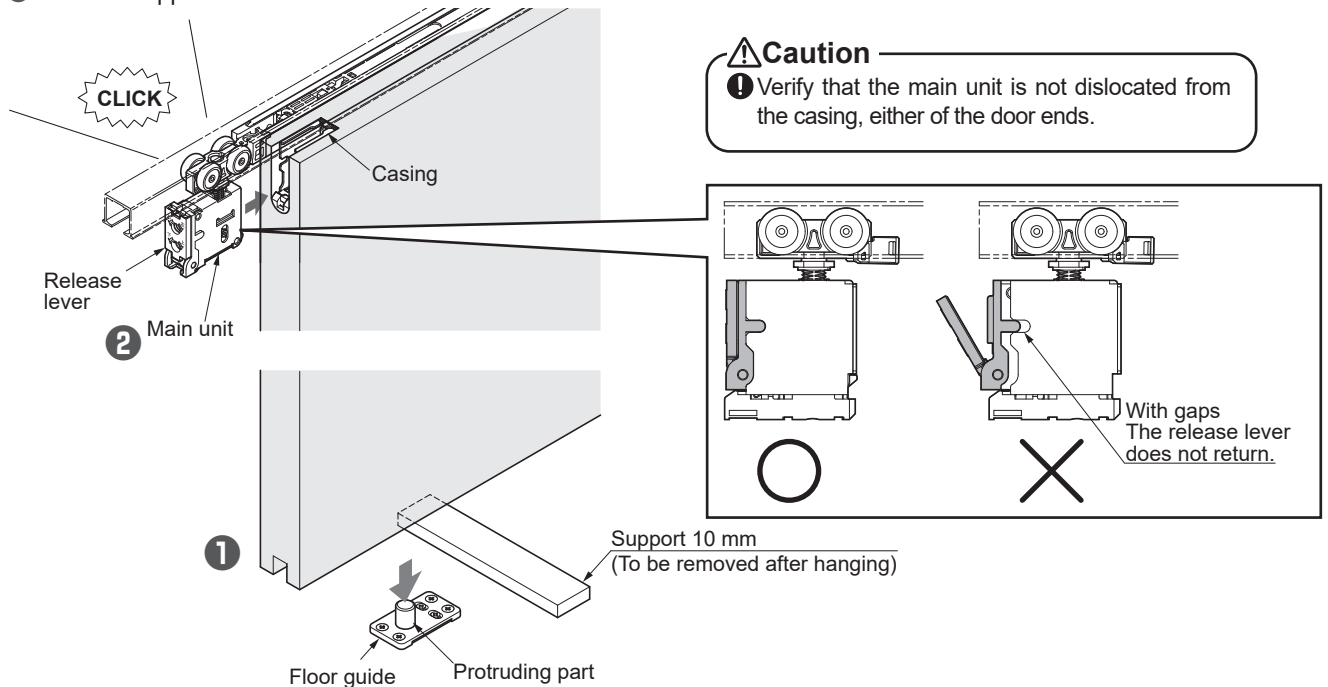


Fasten the four countersunk holes with the provided screws



## 8 Hanging door

- 1 Place a 10 mm support under the door. While holding the door, place the groove under the door on the protruding part of the floor guide.
- 2 Insert the upper roller until it clicks.



### 3 Verification of Soft Closer Operation

- Starting point of soft - motion.  
Approx. 60 mm before the stop position.

## 9 Adjusting the door position

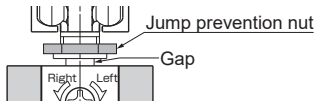
Adjust the door parallel to the upper track with 7 - 13 mm of clearance between the door and floor.

### ⚠ Caution

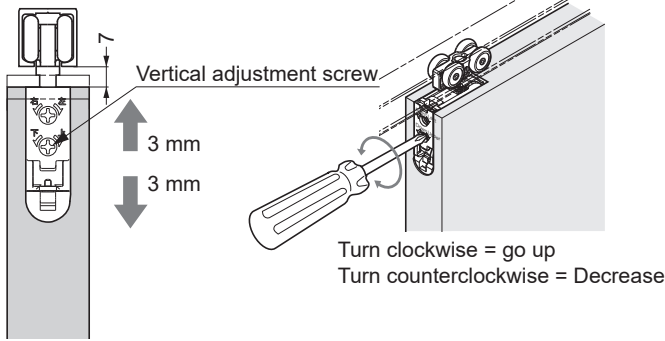
❗ Do not turn the adjustment screw beyond adjustment range.

⊘ Do not turn adjustment screw beyond adjustment range.

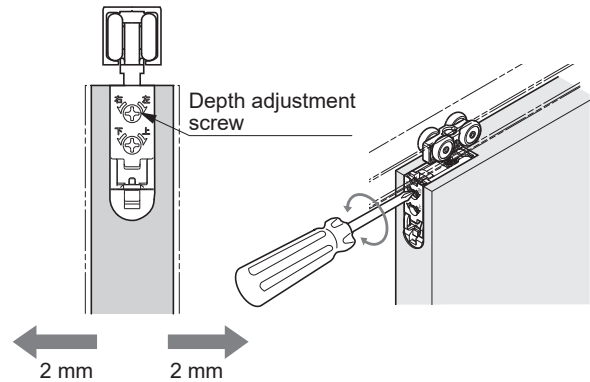
⊘ Do not use electric screw driver.



Vertical adjustment range: 6 mm

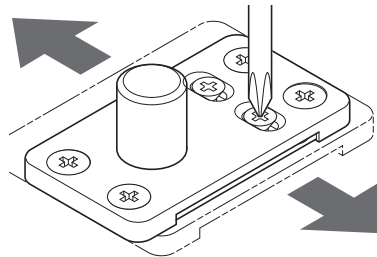
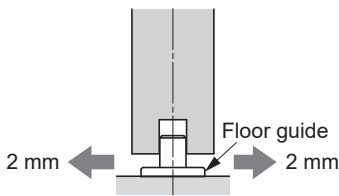


Depth adjustment range: 4 mm



## 10 Adjusting the floor guide

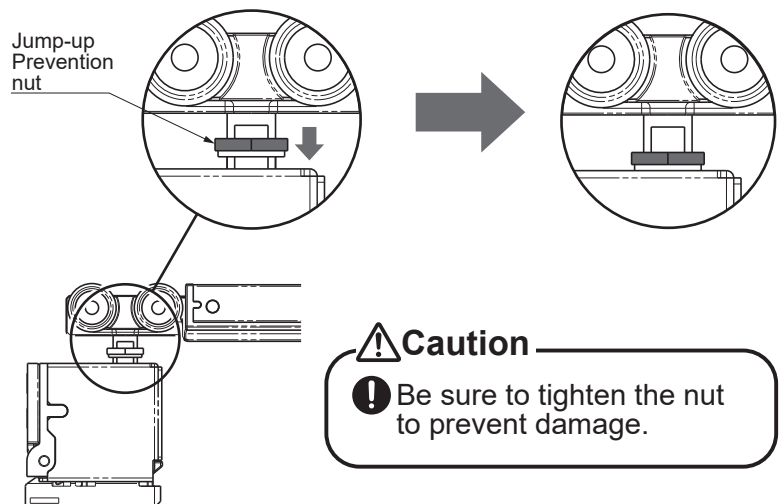
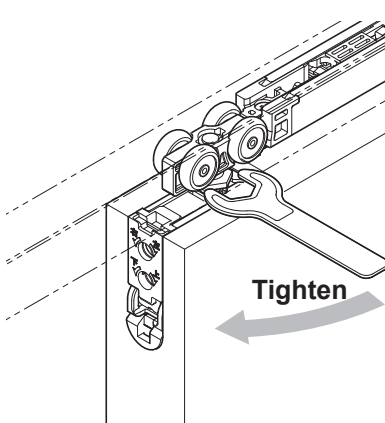
Slowly open and close the door, then, adjust the floor guide so that its interference with the groove under the door is minimized.



Adjustment range:  $\pm 2$  mm

## 11 Fastening the Jump Prevention Nut

The jump prevention nut is on the hanger bolt of the upper roller. Tighten the nut with the provided spanner wrench until it contacts the soft closer.



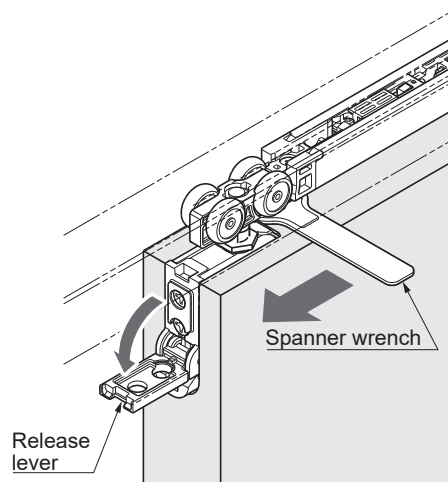
## Appendix 1 How to remove door

Use a 10 mm support under the door.  
Then pull out the upper roller main unit from the door while raising the lever.  
If it is difficult to install or detach the roller, loosen the nut as shown in the illustration.

It will be easier if you slide the hanger bolt with a spanner wrench.

### ⚠ Caution

❗ Be careful not to let the door fall.

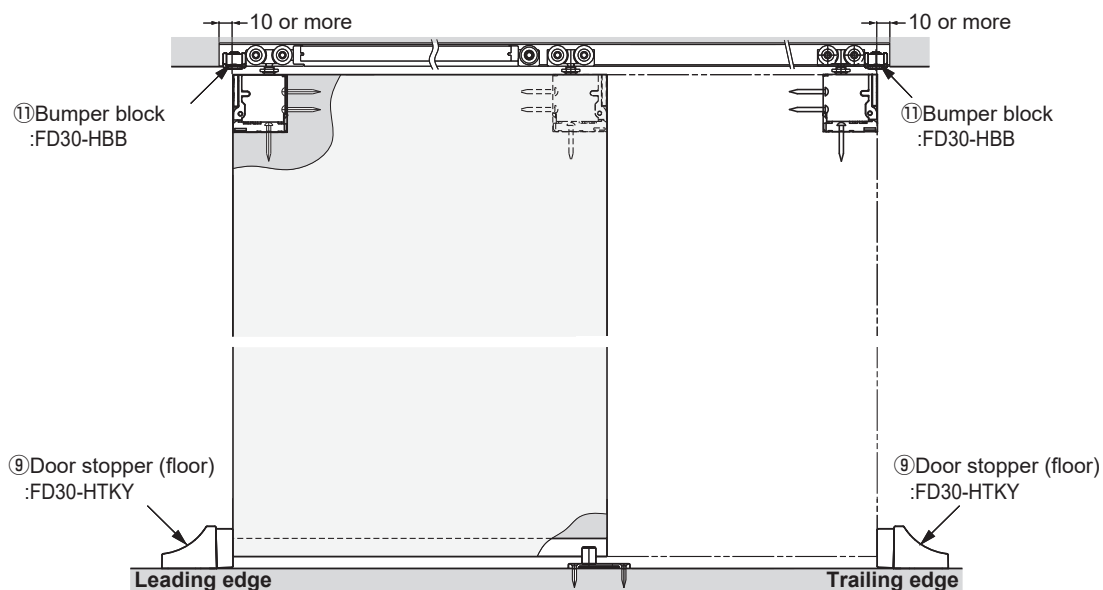


## Appendix 2 When Vertical Frame is not Used

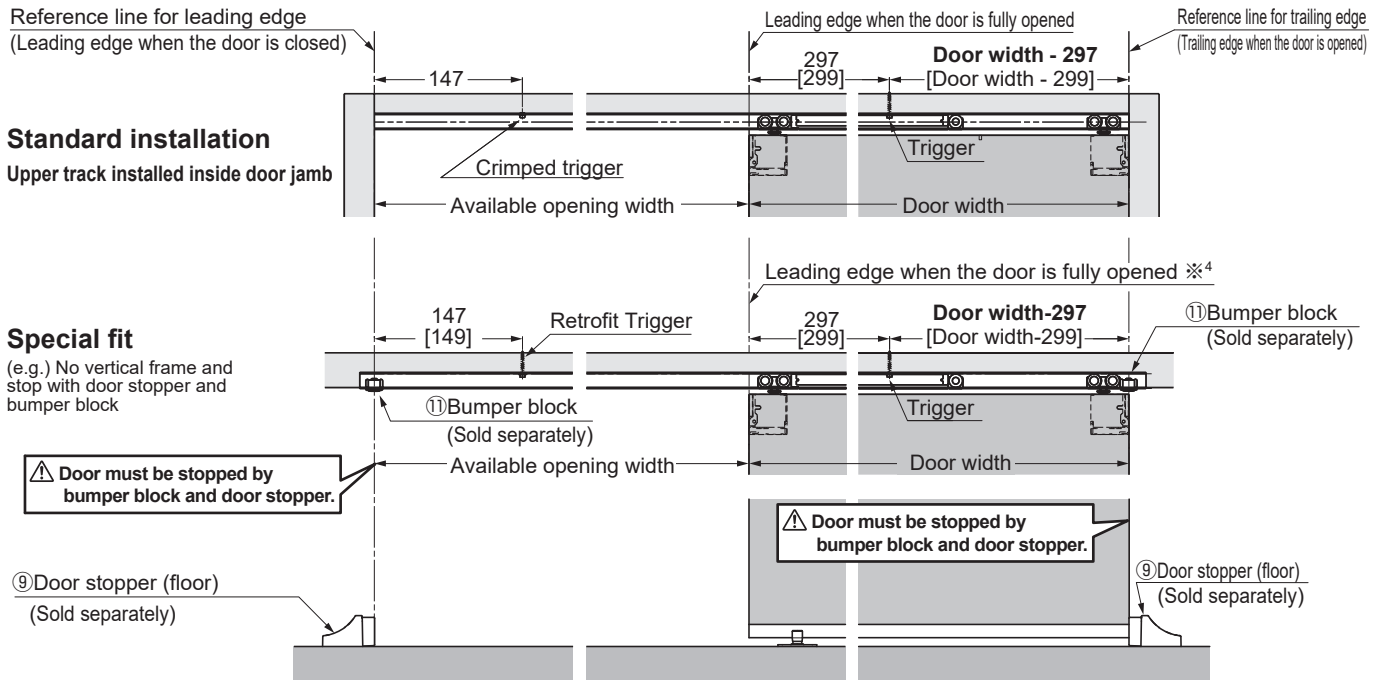
When vertical frame is not used, use the door stopper<sup>⑨</sup> and bumper block<sup>⑪</sup> on the track and on the floor.  
Fasten the door stopper at the location where the door will stop.  
Fix the bumper block to both the upper track ends, then adjust it to the position where the door closes.

### ⚠ Caution

The soft closer or the upper roller may be damaged if door stopper and bumper block are not installed.



## Appendix 3 Trigger positions



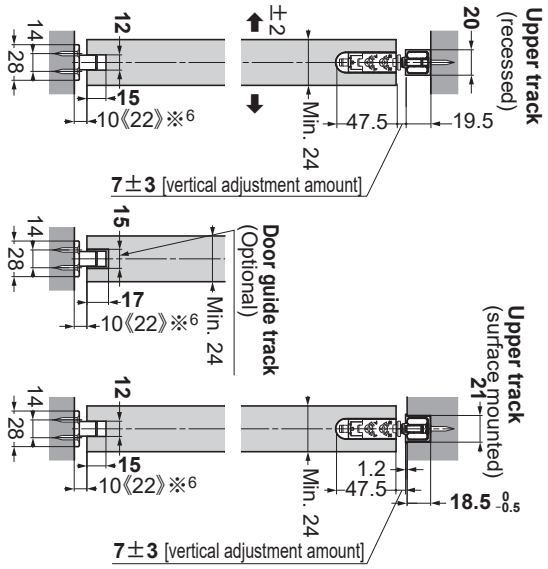
PERIODICAL INSPECTION	
	<ul style="list-style-type: none"> <li>-Clean the inside of the track.</li> <li>-Check the upper and lower space of the door. If necessary, correct the space.</li> </ul>

## TROUBLESHOOTING

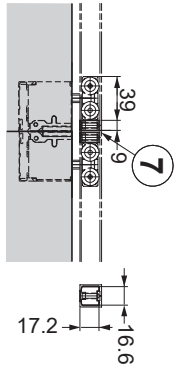
Trouble	Checkpoint	Solution
Door stops during soft closing.	Check if door bottom contacts the floor or floor guide.	Verify that track mounting screws are not loosened. Then, adjust door height such that the clearance between the door bottom and floor is 7 - 13 mm.
	Check if the upper track is set horizontally.	Using a level gauge, reset the upper track horizontally.
	Check if mohair seal is installed.	Reduce the friction between the mohair seal and door.
The door doesn't close softly.	Check if trigger is installed.	Install trigger to specified position.
	Check if door is closed by excessive force.	Do not close door by excessive force as it may damage the soft closer.
	The position of the trigger catcher in page 3 section ❸ may become dislocated (It is hidden as installed in upper track.)	Slowly move the door towards the leading edge, then push the door firmly. Repeat this action on the opposite side as well. If it is still not improved, check the status of the trigger catcher in section ❸.
Abnormal noise during operation	Check if door bottom contacts the floor or floor guide.	Verify that track mounting screws are not loosened. Then, adjust door height such that the clearance between the door bottom and floor is 7 - 13 mm.
	Check if door touches adjacent parts.	Adjust the door depth position to avoid contact with other objects or adjust the position of floor guide.
	Check track rollers for aluminum dust.	Remove the track, then pull out and clean the roller.
	Check the track mounting screws for looseness.	Retighten the screws to free the roller.
Heavy door operation	Check if door bottom contacts the floor or floor guide.	Verify that track mounting screws are not loosened. Then, adjust door height such that the clearance between the door bottom and floor is 7 - 13 mm.
	Check if door touches adjacent parts.	Adjust the door depth position to avoid contact with other objects or adjust the position of floor guide.
	The position of the trigger catcher in page 3 section ❸ may become dislocated (It is hidden as installed in upper track.)	Slowly move the door towards the leading edge, then push the door firmly. Repeat this action on the opposite side as well. If it is still not improved, check the status of the trigger catcher in section ❸.
Door does not move.	Check the track retaining screws for looseness.	Retighten the screws to free the roller.



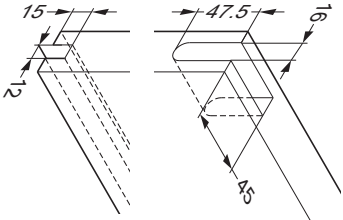
See "APPENDIX 3" for the position of trigger.



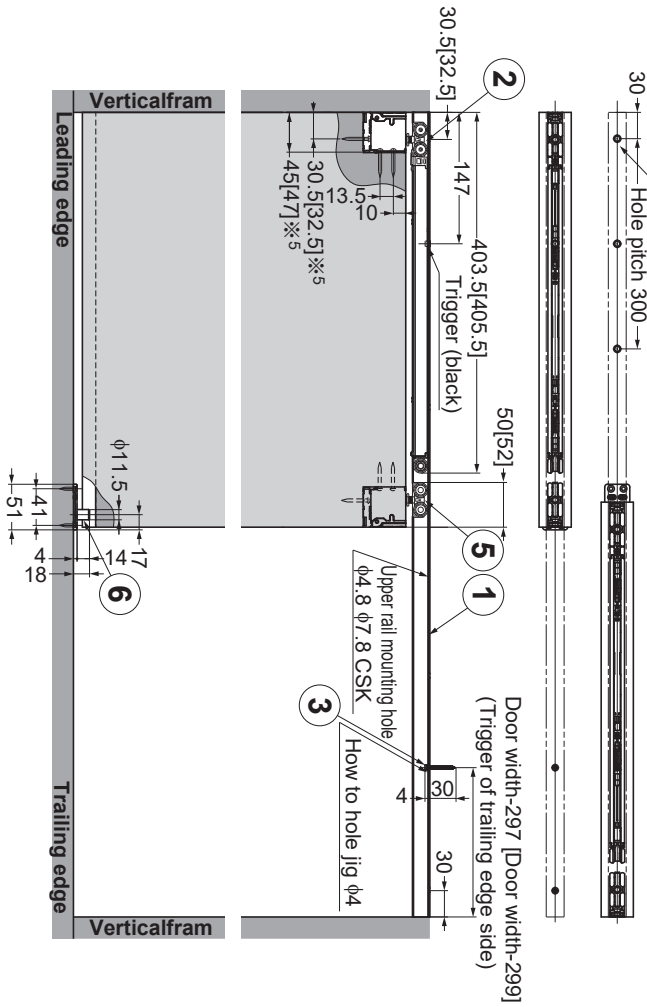
When stopper block is used  
(For sliding of two sliding doors)



Door process dimensions



Recommended screws: Countersunk head tapping screw 3.5 X 20(not provided)

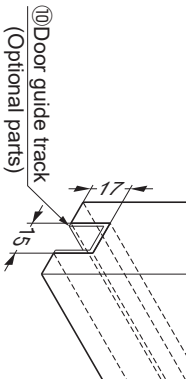
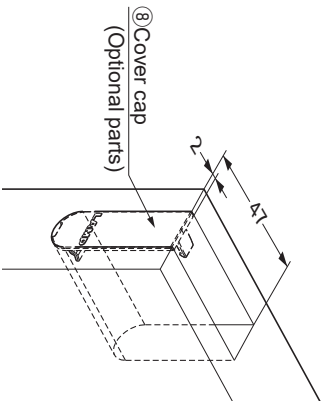


**Caution**  
See P.6 APPENDIX 2 when door stopper ⑪ (option) is used.

※<sup>5</sup> ① : When cover cap ⑧ (option) is used.

※<sup>6</sup> 《 》 : Dimensions are for when the floor guide (long shaft) is used.

※<sup>6</sup> When using cover cap.



**SUGATSUNE KOGYO CO.,LTD**  
Tokyo, JAPAN  
Phone: +81 (0)3 3866 2260 E-mail:export@sugatsune.co.jp

**SUGATSUNE KOGYO (UK) LTD**  
Reading, UK  
Phone: +44 118 9272 955 E-mail:sales@sugatsune.co.uk

**SUGATSUNE SHANGHAI Co., LTD**  
Shanghai, CHINA  
Phone: +86 21 3632 1858 E-mail:lamp@sugatsune.com.cn

**Guangzhou, CHINA**  
Phone: +86 20 6639 3552 E-mail:lamp@sugatsune.com.cn

**SUGATSUNE AMERICA, INC**  
California, USA  
Phone: +1 310 329 6373 E-mail:sales@sugatsune.com

**Chicago, USA**  
Phone: +1 630 317 7072 E-mail:sales@sugatsune.com

**SUGATSUNE EUROPE GmbH**  
Düsseldorf, GERMANY  
Phone: +49 211 53812900 E-mail:sales@sugatsune.eu

**SUGATSUNE KOGYO INDIA PRIVATE LIMITED**  
Mumbai, INDIA  
Phone: +91 22 28314490/91 E-mail:sales@sugatsune.in

**SUGATSUNE CANADA, INC.**  
Phone: +1 514 312 5267 E-mail:support@sugatsune.ca