

LAMP GH-G07SHK STAINLESS STEEL GRAVITY HINGE FOR GLASS DOOR INSTALLATION MANUAL

Thank you for selecting our product. Before starting installation, please read this manual thoroughly to ensure correct installation. Please keep this manual at hand for future reference.

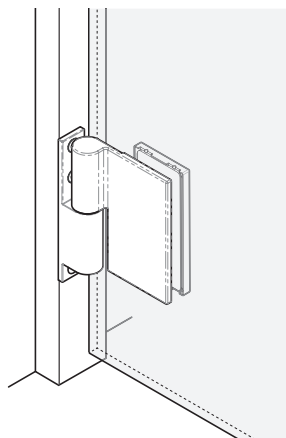
ABOUT THE PRODUCT

- Usable in wet conditions such as shower rooms.
- The door closes automatically when the door is open at less than 70°.
- It opens automatically between about 70° and 160°. The door can be held open by placing a door stopper in this area.
- When removing the door, the shaft that inserts into the hinge will not fall out.

SPECIFICATIONS

	per 2 hinges	per 3 hinges
Max. Door height	2100 mm	2400 mm
Max. Door width	800 mm	850 mm
Glass thickness	8 – 12 mm	
Max. Door weight ※1	45 kg	50 kg

※1 Prioritize the load capacity when determining the glass size.



FOR YOUR SAFE WORK AND CORRECT INSTALLATION

Meaning of symbols



Caution: If not followed, injury or damage may result.

- ❗ It is necessary to manufacture the frame with sufficient strength so that it endures the weight of the door and any impact upon opening/closing the door. Only use designated screws and ensure that they are fastened firmly. A frame with poor strength or loose screws might result in the door falling and causing injury.
- ⊘ Do not try to use this product for anything other than its original purpose. Do not use any part for applications outside of its specification.
- ❗ Follow the specified dimensions, specifications, and alignment of the door and frame. Warping, tilting or twisting of the frame or door may cause failure.
- ❗ This product is a part for architectural fittings. After installation, please check the function and safety of the final product. Please inform the end user how to use the product safely.
- ❗ Use tempered glass. Using shatter-proof film is recommended. For areas where the products grip, it is recommended to remove the shatter-proof film before installing. If left unremoved, slippage due to the shatter proof film may affect the proper function of the door. Please consult with the glass and film suppliers before proceeding.
- ❗ Make sure to check the screws for slack at regular intervals (one month from first usage, half a year, and then one time every year is recommended).

TOOL REQUIRED

- Philips screwdriver
- ⊕ No.2



- Allen key
- ⊕ 2.5
- ⊕ 4



SCREWS

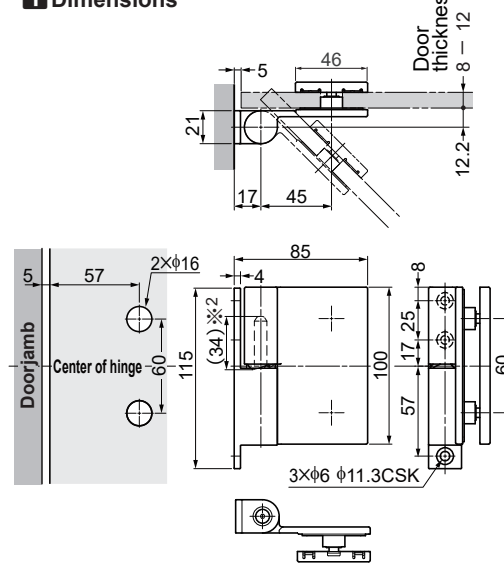
- Provided screw
- Countersunk head screw M5 × 14 ... 3 pcs/hinge (for hinge fixed.)
- Shaft fixing screw 1 pc/hinge (for shaft fixed.)
- Hexagon socket countersunk head screw M6 × 14 ... 2 pcs/hinge (for glass fixed.)
- Sold separately (If screws are lost.)
- Countersunk head screw M5 × 15
- Hexagon socket countersunk head screw M5 × 15



INSTALLATION

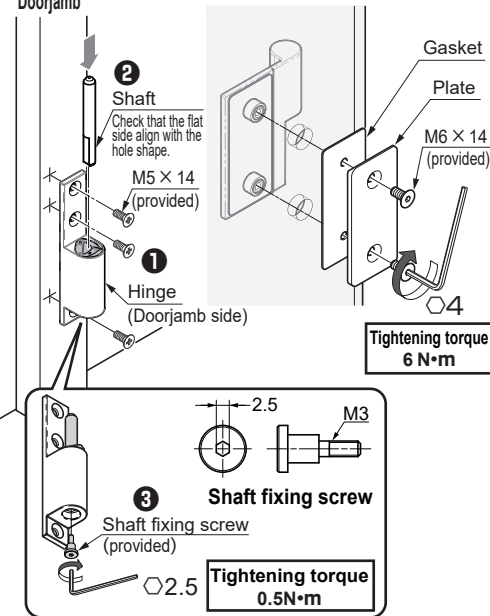
Left-hand opening shown. The right-handed opening is symmetrical.

1 Dimensions

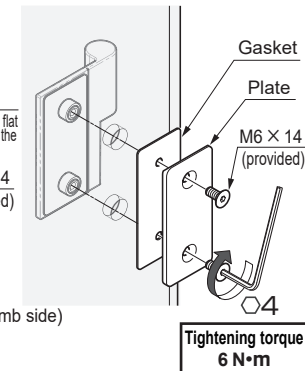


※2 Portion inserted in door hinge.

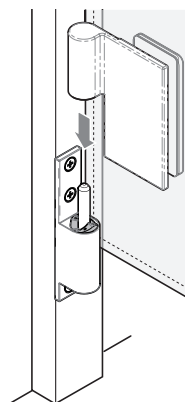
2 Mounting Hinge onto Doorjamb



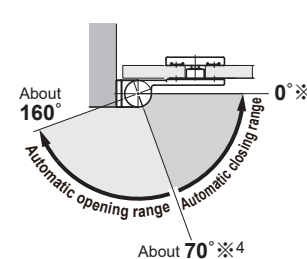
3 Mounting Hinge onto Glass



4 Hanging Door



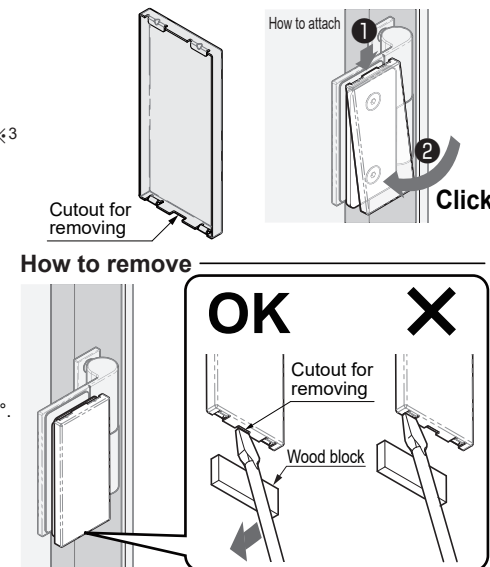
5 Operation Check



※3 The self-closing force near 0° is rather strong.

※4 The maximum lifting of the door is 5 mm when the opening angle is 70°.

6 Attaching/removing Cover



SUGATSUNE KOGYO CO., LTD.
Tokyo, JAPAN
Phone: +81 3 3866 2260
E-mail: export@sugatsune.co.jp
SUGATSUNE KOGYO (UK) LIMITED
Reading, UK
Phone: +44 1189 272 955
E-mail: sales@sugatsune.co.uk
SUGATSUNE EUROPE GmbH
Düsseldorf, GERMANY
Phone: +49 211 53812 900
E-mail: sales@sugatsune.eu

SUGATSUNE AMERICA, INC.
California, USA
Phone: +1 310 329 6373
E-mail: sales@sugatsune.com
Chicago, USA
Phone: +1 630 317 7072
E-mail: sales@sugatsune.com
SUGATSUNE CANADA, INC.
Montreal, CANADA
Phone: +1 514 312 5267
E-mail: support@sugatsune.ca

SUGATSUNE SHANGHAI CO., LTD.
Shanghai, CHINA
Phone: +86 21 3632 1858
E-mail: lamp@sugatsune.com.cn
Guangzhou, CHINA
Phone: +86 20 6639 3554
E-mail: lamp@sugatsune.com.cn
SUGATSUNE KOREA CO., LTD.
Incheon, KOREA
Phone: +82 32 220 0603
E-mail: sales@sugatsune-korea.co.kr

SUGATSUNE KOGYO INDIA PRIVATE LIMITED
Mumbai, INDIA
Phone: +91 9867299597
E-mail: sales@sugatsune.in
Delhi, INDIA
Phone: +91 9867299597
+91 11 45093636
E-mail: sales@sugatsune.in