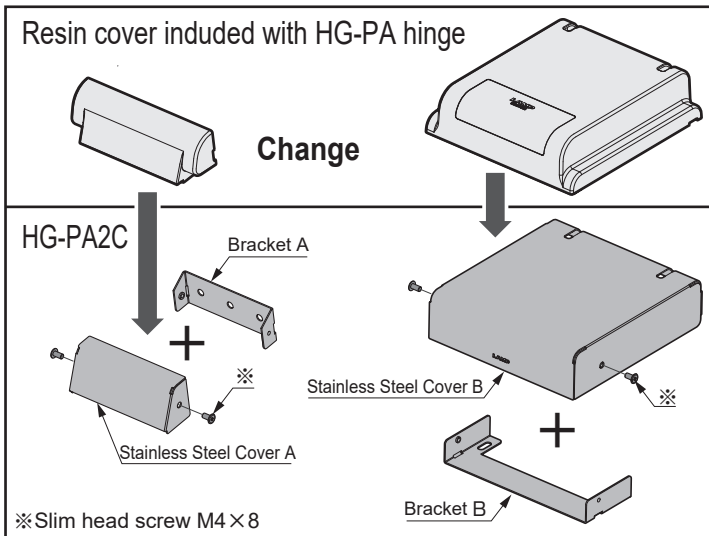
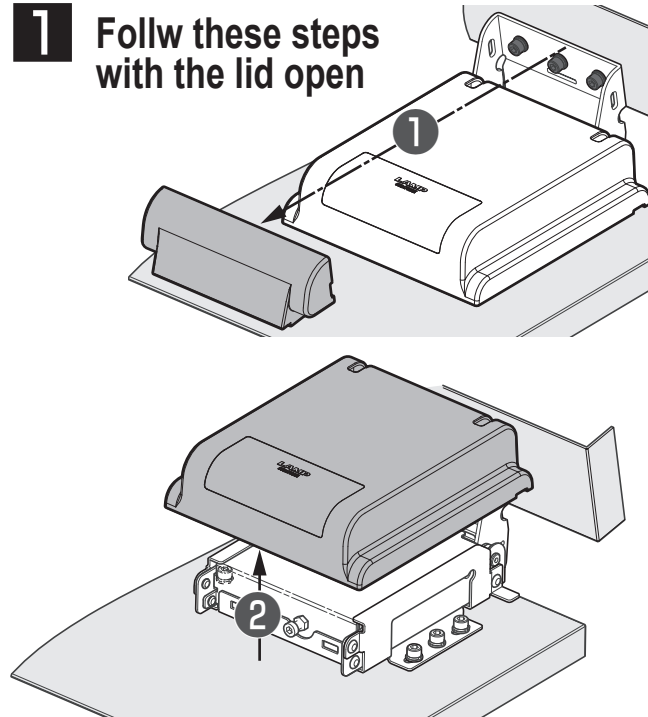


STAINLESS STEEL COVER HG-PA2C INSTALLATION MANUAL

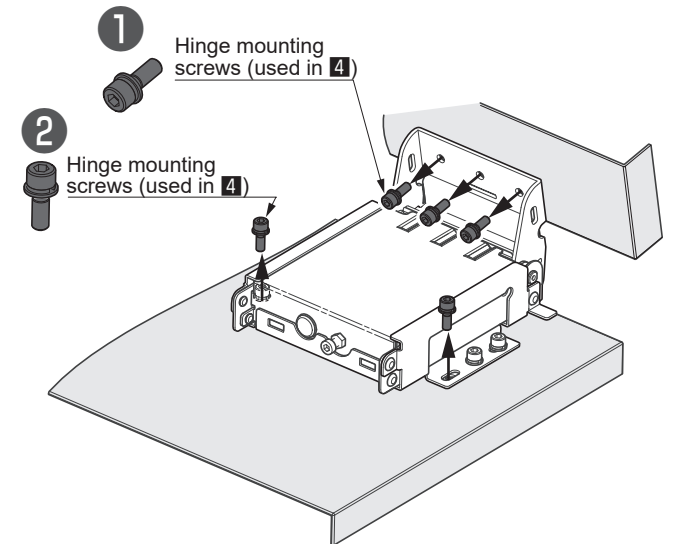
LAMP



1 Follow these steps with the lid open

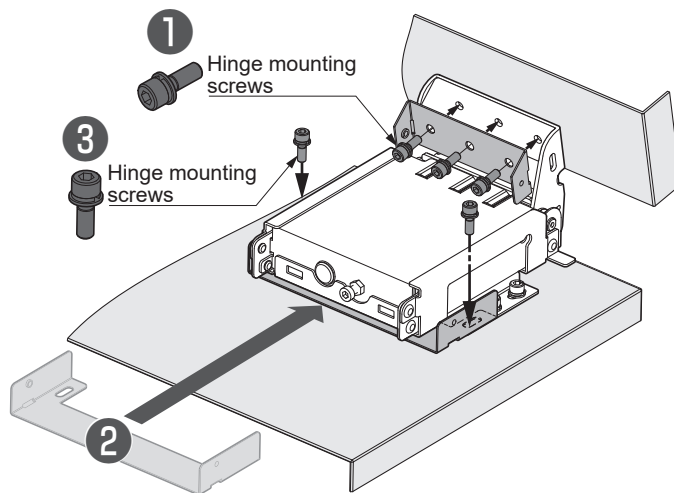


2



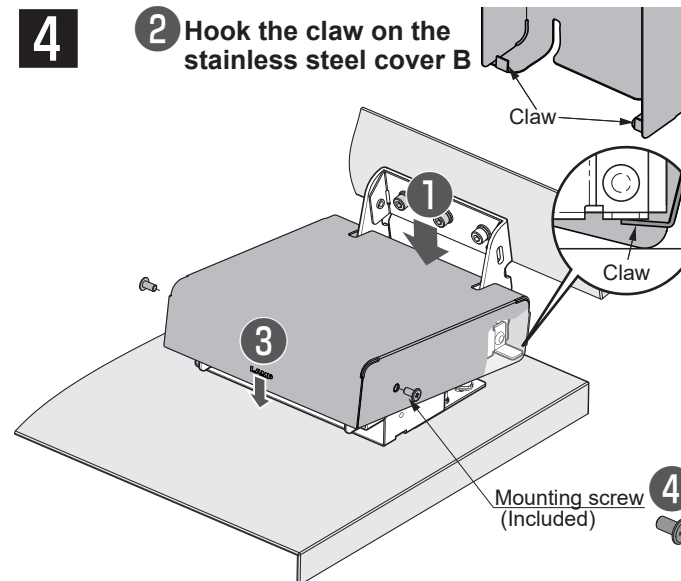
! Install / remove a lid by two or more people

3



4

2 Hook the claw on the stainless steel cover B



5

