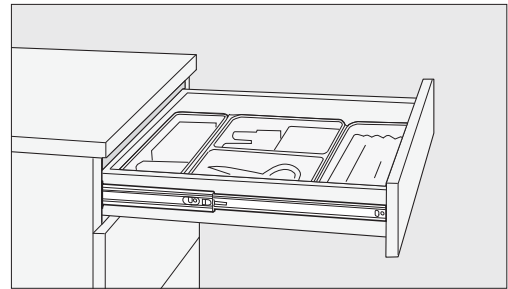




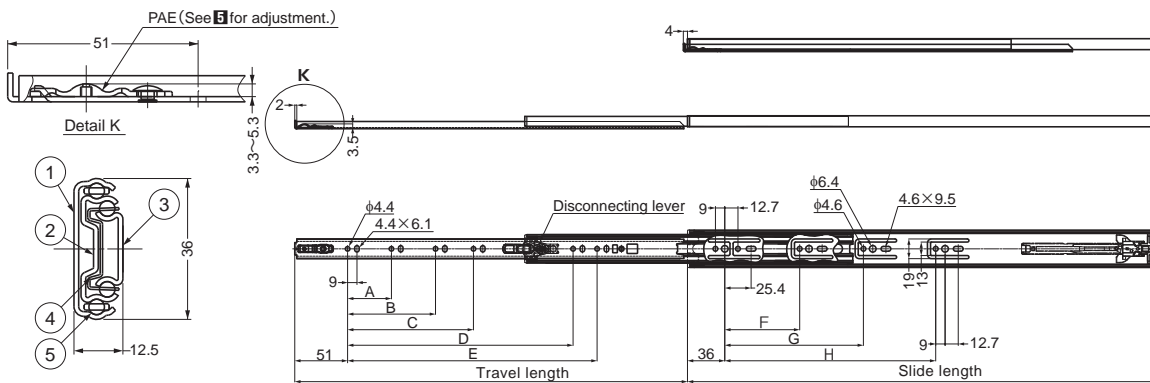
Thank you for selecting our product. Before starting installation, please read this manual thoroughly to ensure correct installation. Please keep this manual at hand for future reference.

ABOUT THE PRODUCT

- Side mount drawer slide with Push-To-Open mechanism.
- No handle or knobs required for a sleek, modern look.
- The drawer is detachable by pulling the lever.

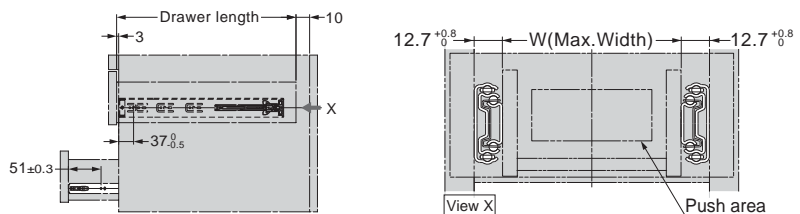


DIMENSIONS, SPECIFICATIONS



No.	Part name
①	Outer member
②	Intermediate member
③	Inner member
④	Retainer
⑤	Balls

● Non-handed



Item number	slide length	Travel length	A	B	C	D	E	F	G	H	W	Load capacity N(kgf) / pair	Box
3660-250	250	250	-	-	-	-	121	87	-	-	450	147(15)	20set
3660-300	300	300	71	-	-	-	171	119	-	-	500		
3660-350	350	350	103	-	-	-	221	119	183	-	550		
3660-400	400	400	103	231	-	-	271	119	199	-	600	196(20)	10set
3660-450	450	450	103	263	-	-	321	119	247	-	650		
3660-500	500	500	103	167	295	-	371	119	215	295	700		
3660-550	550	550	103	199	327	-	421	119	215	345	750		
3660-600	600	600	103	199	327	391	471	119	247	375	800		

Parts Included

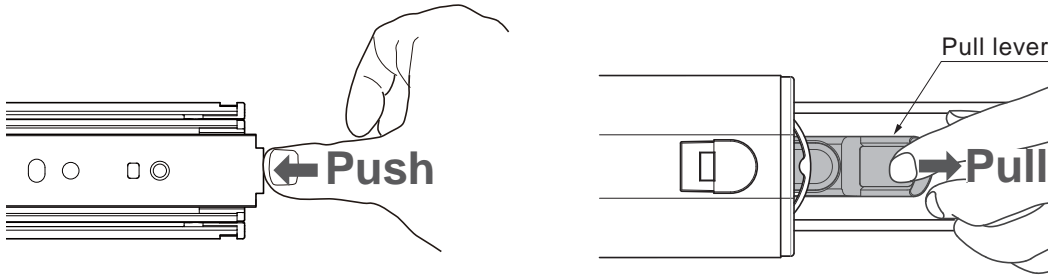
- Truss head tapping screw 4x12
- Hex key

1 Detaching slides

Unlock the Push-to-open mechanism to pull out inner member as follows.

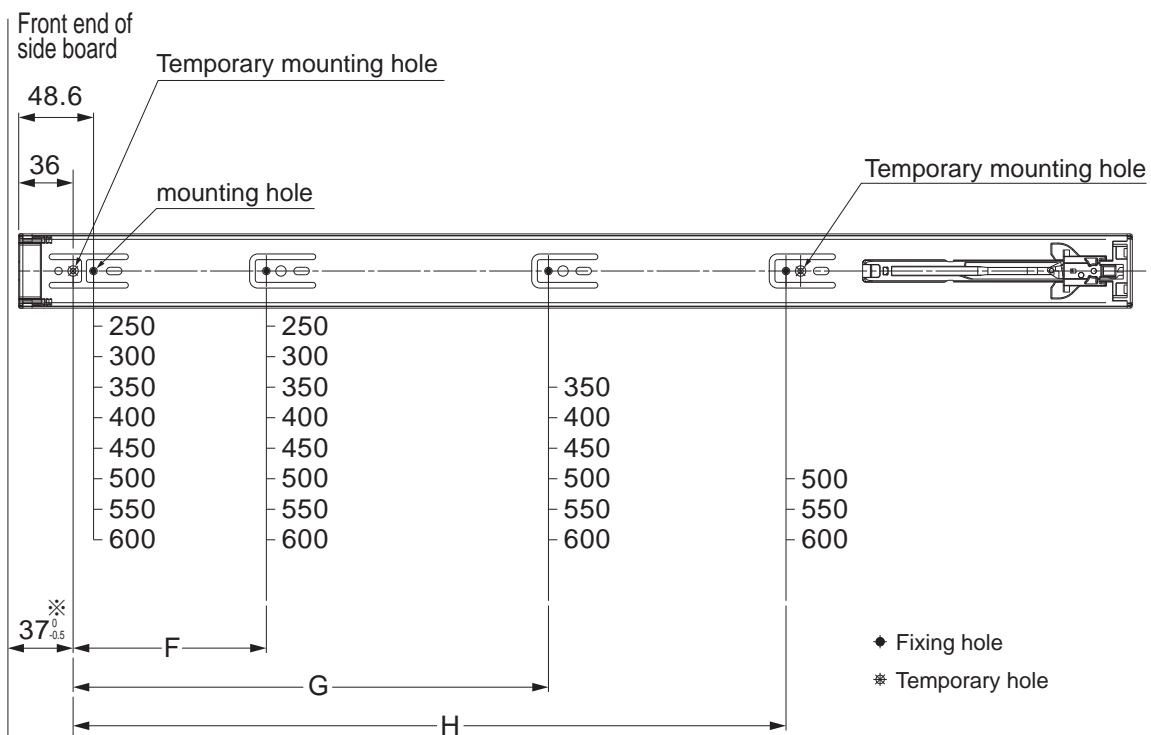
[1] Unlock

[2] Pull out inner member



2 Positioning / Mounting Outer Member

Correct installation is necessary to enjoy push-to-open function. Mount the slides and make adjustments as follows.



[1] Mark the positions of the slides on the inside of the cabinet and fit using the temporary mounting holes to give a little bit of adjustment.

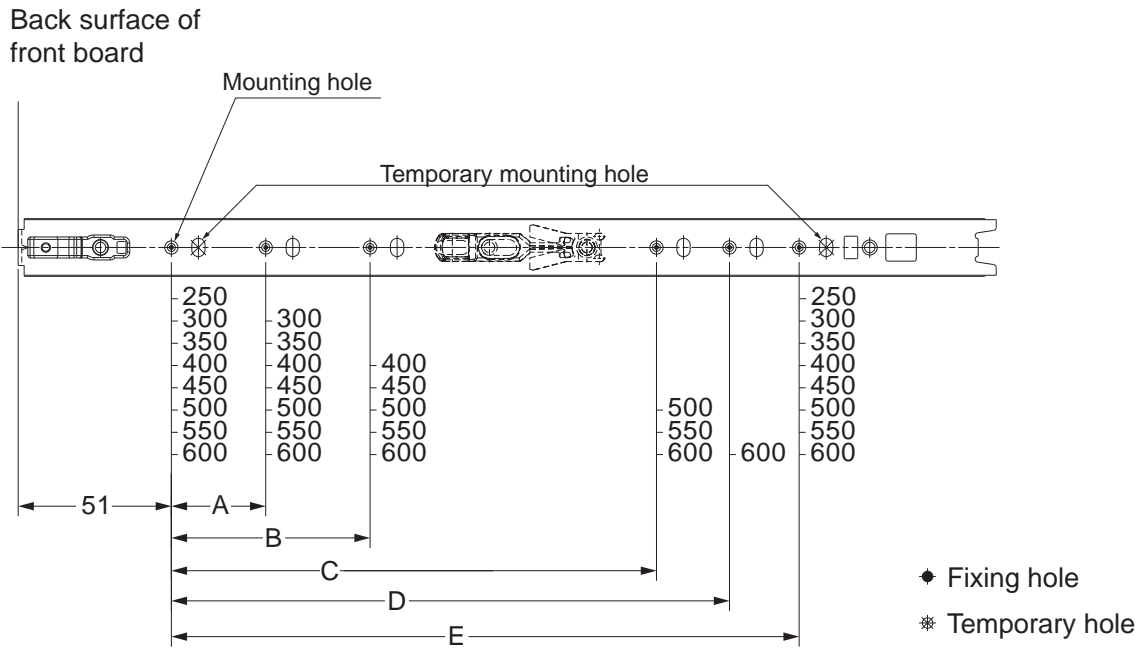
[2] Do not fully tighten the screws just yet. Level up and fix using the round holes and tighten all screws.

Notes:

- Move the intermediate member to screw the holes through the access holes.
- Refer to page 1 about the dimensions F, G, and H.

※ Deviation in back and forth adjustment might cause a malfunction of Push-to-open.

3 Positioning / mounting Inner Member

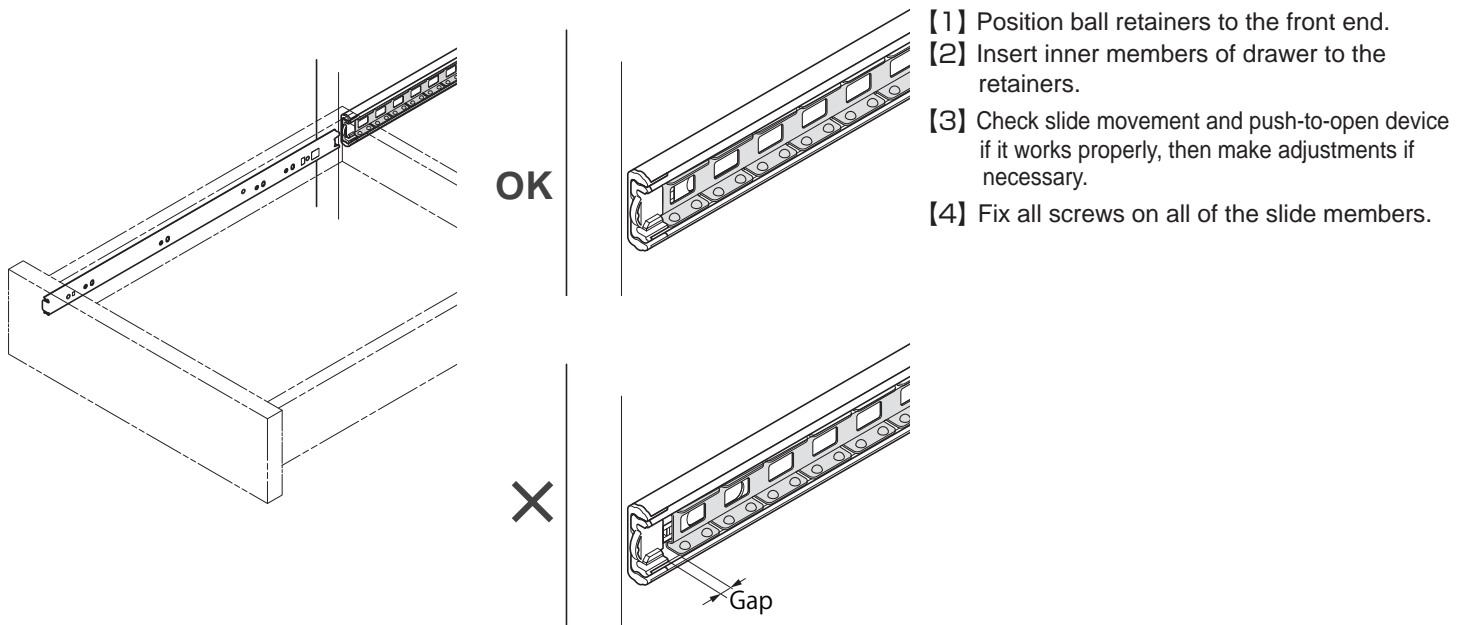


- [1] Fit the inner member to the side of the drawer, either on or just below the center line for optimum stability.
- [2] Level up and fix using the temporary mounting holes and tighten screws to fixing holes.

Notes:

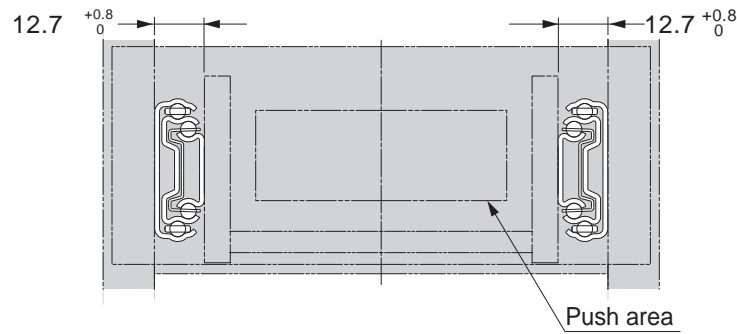
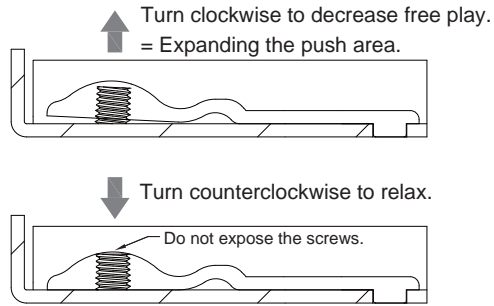
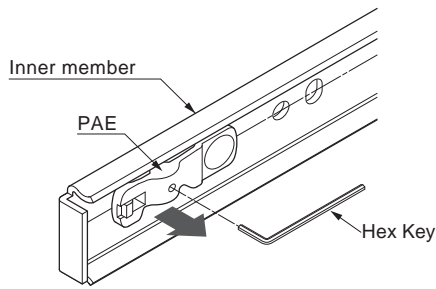
- Refer to page 1 about the dimensions A to E.

4 Insert Drawer to Cabinet



5 How to Expand the Push Area

PAE helps to expand the push area by minimizing the free play between cabinet and drawer at closed position. Adjust the PAE on the side which the push-to-open does not work well. Turn the screw with provided Hex key as below.



Notes:

- PAE does not work if the space between cabinet and drawer deviates the specified allowance.
- Excess adjustment may cause malfunction or damage of the mechanism.

SUGATSUNE KOGYO CO.,LTD
Tokyo, JAPAN
Phone: +81 (0)3 3866 2260 E-mail:export@sugatsune.co.jp

SUGATSUNE KOGYO (UK) LTD
Reading, UK
Phone: +44 118 9272 955 E-mail:sales@sugatsune.co.uk

SUGATSUNE EUROPE GmbH
Düsseldorf, GERMANY
Phone: +49 211 53812900 E-mail:sales@sugatsune.eu

SUGATSUNE SHANGHAI Co., LTD
Shanghai, CHINA
Phone: +86 21 3632 1858 E-mail:lamp@sugatsune.com.cn

Guangzhou, CHINA
Phone: +86 20 6639 3552 E-mail:lamp@sugatsune.com.cn

SUGATSUNE KOGYO INDIA PRIVATE LIMITED
Mumbai, INDIA
Phone: +91 22 28314490/91 E-mail:sales@sugatsune.in

SUGATSUNE AMERICA, INC
California, USA
Phone: +1 310 329 6373 E-mail:sales@sugatsune.com

Chicago, USA
Phone: +1 312 461 1081 E-mail:chicagoshowroom@sugatsune.com.

SUGATSUNE CANADA, INC.
Phone: +1 514 312 5267 E-mail:support@sugatsune.ca

ISO9001(Japan Offices and Sugatsune America) and ISO14001(Chiba Production division and Logistics center), certified.

2017.12 1177-2