

Installation Manual

LAMP®

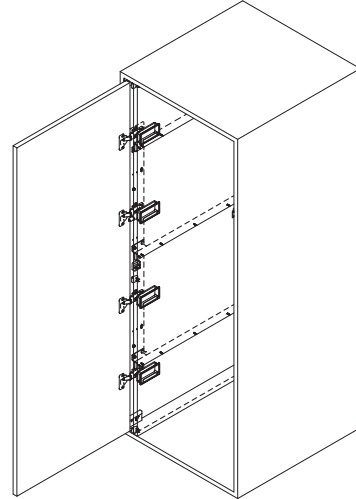
ALT-SN15-D10

POCKET DOOR SYSTEM OUTSIDE INSTALLATION/OVERLAY SOFT CLOSING

Thank you for selecting our product. Before starting installation, please read this manual thoroughly to ensure correct installation. Please keep this manual at hand for future reference.

ABOUT THE PRODUCT

- This product is hardware for vertical pocket doors in furniture, enabling slow door closing.
- Mount the bracket to the outside of the middle board or the side board of the cabinet.
- The door incline can be easily adjusted via a 5-stage angle retention mechanism.
- Parts are common for both the right and left sides.



SPECIFICATION

Overlay

Type	S	M	L	LL
Rail Q'ty	2	2	2	3
Door Width	Max. 600 mm			
Door Height	500 - 700 mm	700 - 900 mm	900 - 1200 mm	1200 - 1600 mm
Door Thickness	18 - 20 mm			
Door Weight	Max. 6 kg	Max. 9 kg	Max. 12 kg	Max. 15 kg

Item Name Guide


ALT - SN15 - D10S - 16

Type |
Size of rail |

FOR YOUR SAFETY AND CORRECT INSTALLATION

 Caution  Prohibited  Required

Caution If not followed, injury or damage may result.

-  Provide a cabinet that can withstand the weight and impact of opening and closing the door. Be sure to use the specified screws and tighten them securely. If the mounting strength is insufficient, the door may fall and cause injury.
- Follow the specified dimensions, specifications, and alignment of the cabinet. Make sure that the cabinet is not warped, since it may affect the movement of the door.
- Position the handle so that the hand holding the handle does not strike the side board.
- When moving the cabinet, remove the door and re-assemble it at the site.
- This product is a part for furniture. After installation, check the function and safety of the final product.
- Make sure to check the screws for slack at regular intervals. (one month and six months from first usage and then once every year is recommended).
- Make the middle board and the side board to which the bracket is mounted removable for attachment and maintenance.

● **Be sure to inform users of the precautions below regarding opening and closing.**




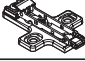

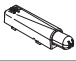


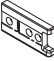












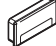
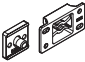



- Do not force the door to open past 90°. Damage may result.



- When closing the door, pull it out until the catch clicks and then close it.
- Repeated opening and closing may cause the inner rail to come off, shortening the door movement distance. Push the door fully inward or pull it fully out to correct the deviation.

COMPONENT PARTS/QUANTITY

				Overlay (SN15-D10)				
				S Type	M Type	L Type	LL Type	
①	Rail※ ¹	AL80C 16 - 28 inches		2	2	2	3	
②	Connecting plate	ALT-SN15-S ALT-SN15-M ALT-SN15-L ALT-SN15-LL		1	1	1	1	
③	Concealed hinge	SCFA-7A99		2	2	3	4	
④	Hinge mounting plate	SBAR3R		2	2	3	4	
⑤	Mounting plate	ALT-MP32		2	2	3	4	
⑥	Damper unit	SD0S8SNG		1	1	1	1	
⑦	Damper base	SDARX09		1	1	1	1	
⑧	Door stopper	ALT-ADS		2	2	2	2	
⑨	Protector	ALT-ADP		2	2	2	2	
⑩	Guide roller	ALT-GR		2	2	4	4	
⑪	Catch※ ²	AL127-CH		2	2	2	3	
Parts Set※ ³	⑫	Slider	G-175		2	2	2	2
	⑬	Adjustment bolt	ALT-AB-M5		1	1	2	2
	⑭	Metal washer			1	1	2	2
	⑮	Bind head tapping screw 3.5×15			24	24	28	35
	⑯	Raised countersunk head tapping screw 3.5×15			4	4	6	8
	⑰	Hexagon flange head screw M4×6			6	6	6	9
	⑱	Low countersunk head screw M4×8			2	2	3	4
	⑲	Raised countersunk head screw M4×10			4	4	6	8
	⑳	Countersunk head screw M4×14			1	1	1	1
	㉑	Hex key 3			1	1	1	1
Option	㉒	Cap	S100-50		2	2	3	4
	㉓	Catch※ ⁴	JC-30TW		1	1	1	1
	㉔	Distance plate for catch※ ⁴	JC-30TW-DP8		1	1	1	1

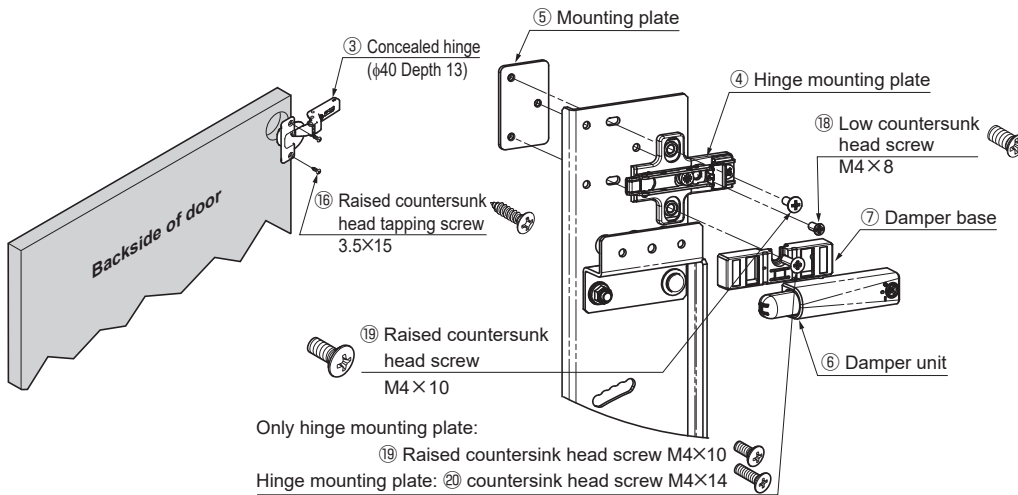
※¹ Do not cut rails. Rail sizes (inches) include 16, 19, 22, 24, and 28.

※² This catch holds the door at the pulled-out position. Be sure to mount it on the uppermost and lower slide rails (For details, see P.4 **2**).

※³ More screws than actually used (shown above) may be included with the product.

※⁴ Keep the door retracted. Mount it to the designated point (for details, refer to P. 8 **10**).

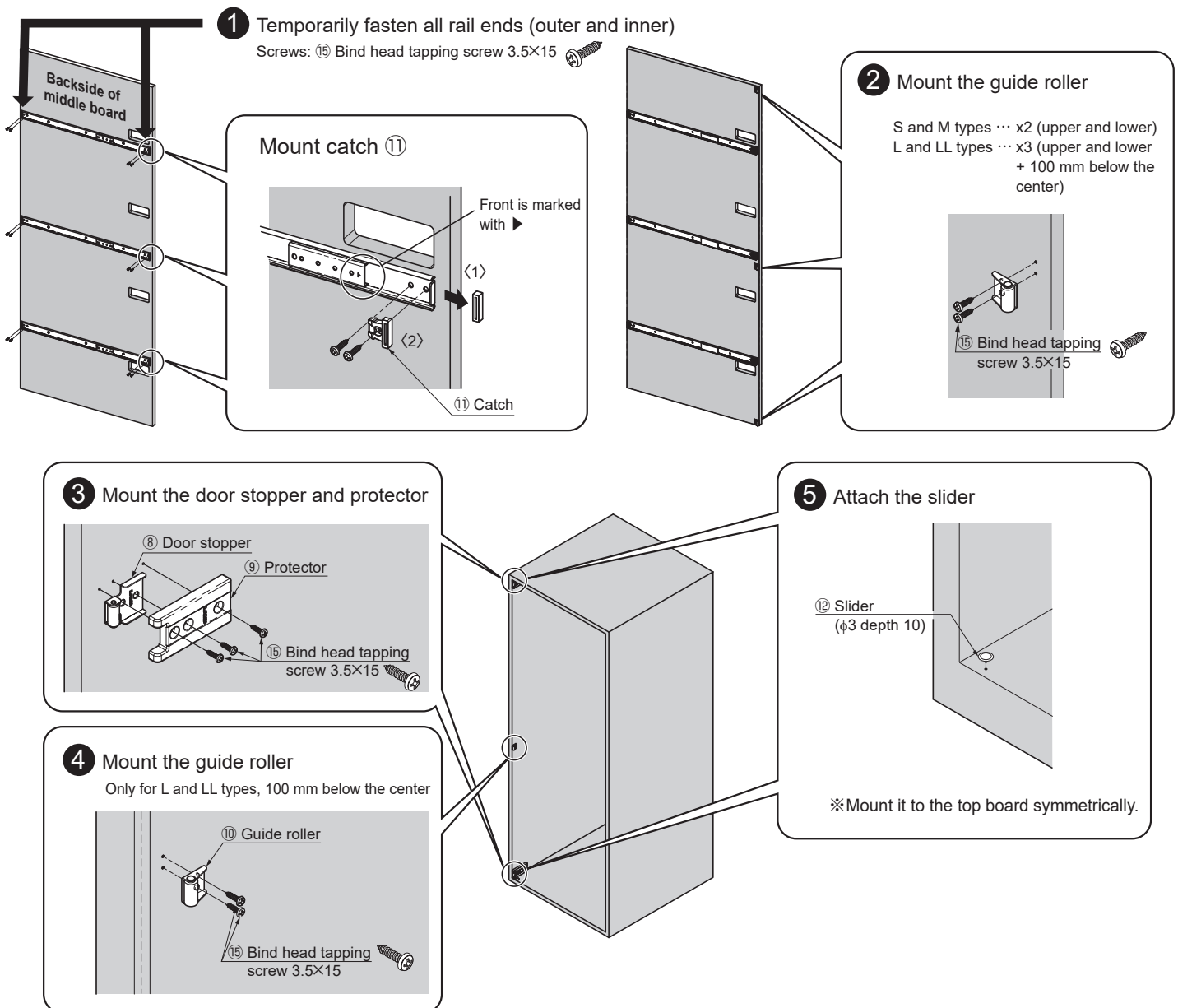
1 Mounting the concealed hinge, hinge mounting plate, and mounting plate



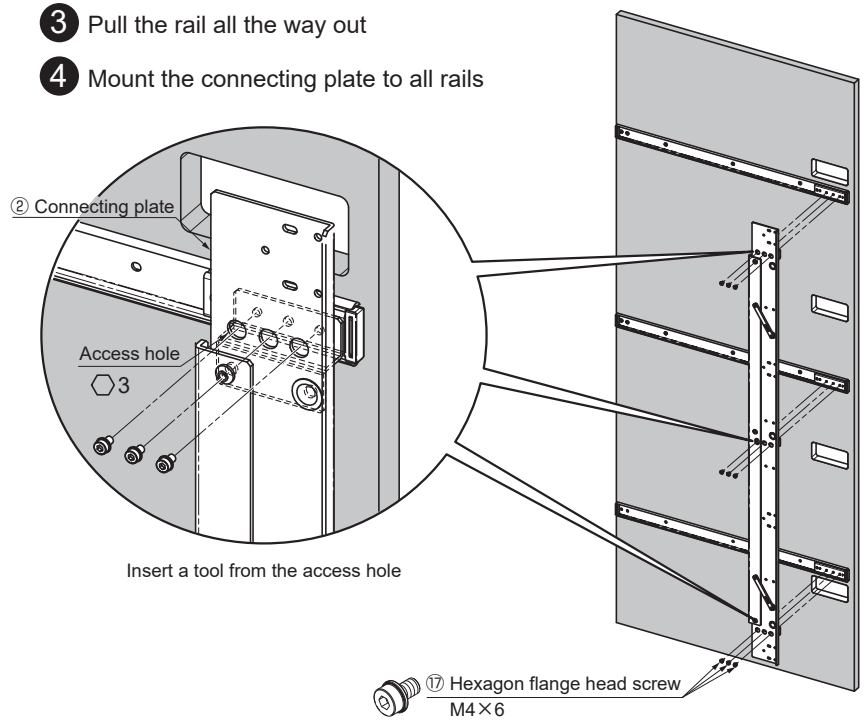
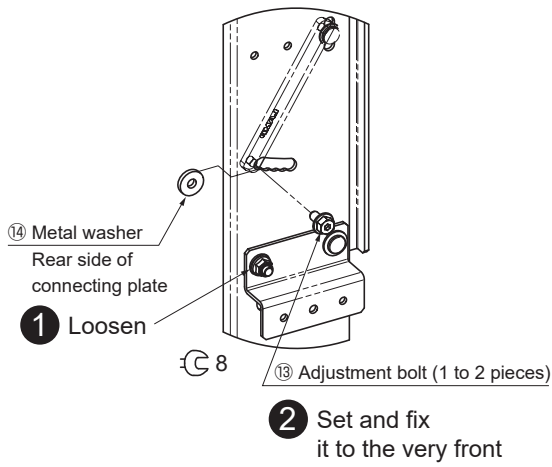
Mount the damper base and damper unit in the specified position.

Type	S	M	L	LL
Hinge mounting plate Q'ty	2	2	3	4
Damper mounting location [■ part]				



2 Temporarily fastening the rail and mounting the catch, guide roller, and slider

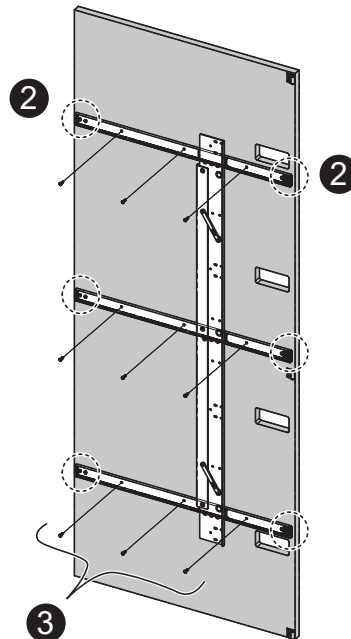
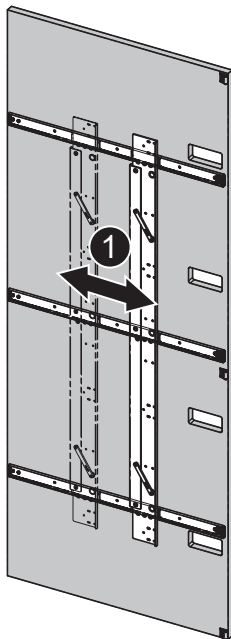


3 Mount the connecting plate

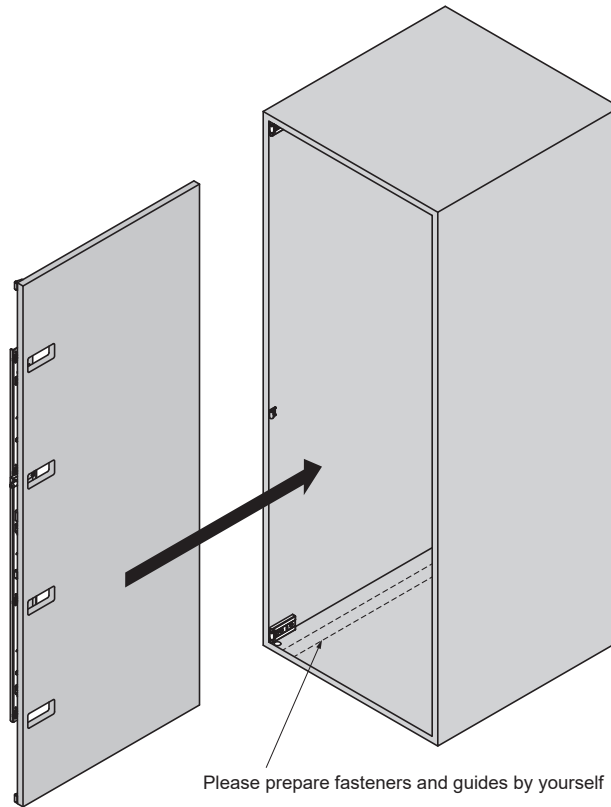


4 Rail fixing

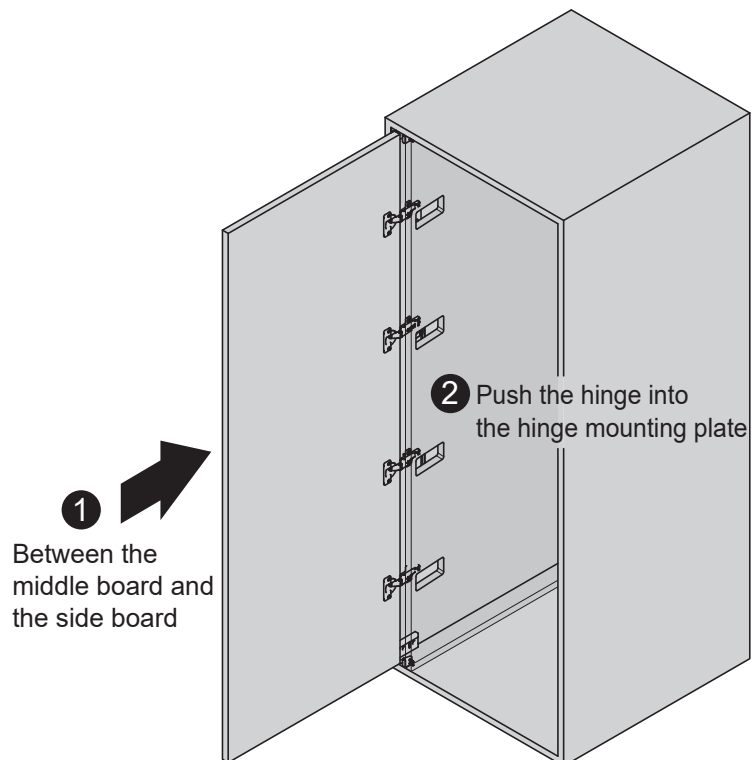
- ① Move the connecting plate from the front to the back, adjusting all the screw positions so that it moves smoothly
- ② Tighten the  part (both ends)
- ③ Fasten all the screws (near centre)
Screws: ⑮ Bind head tapping screw 3.5×15 



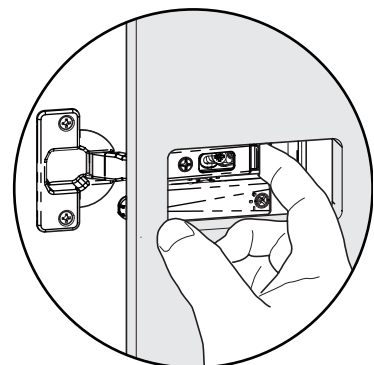
5 Fixing the middle board



6 Hanging door



How to remove

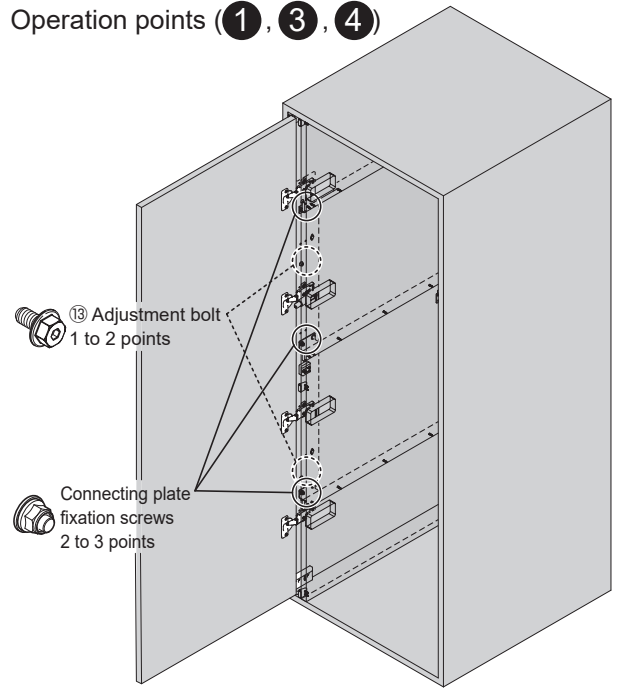
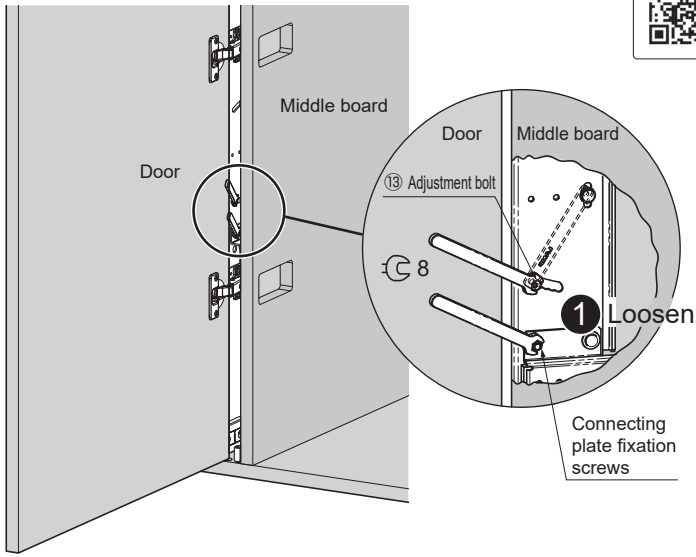


7 Adjusting the door

Adjustment method

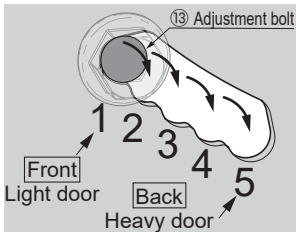


Operation points (1, 3, 4)

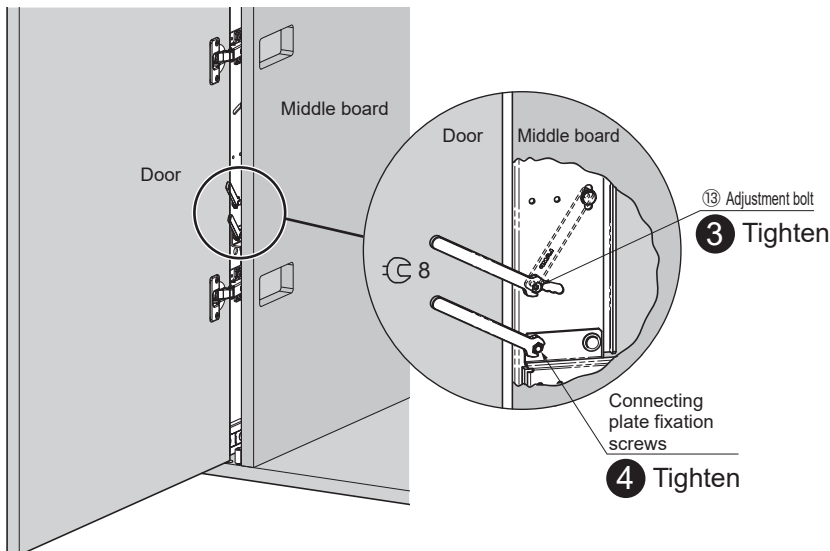
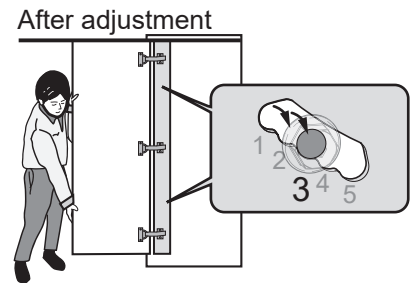
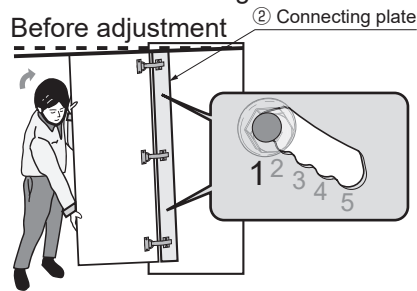


- 2 Lift the door and shift the adjustment bolt backward one level at a time, to make the door and connecting plate vertical.

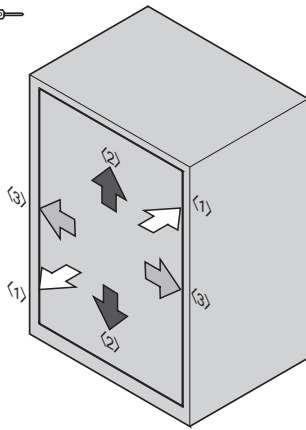
5-stage adjustment is possible in accordance with the door weight.



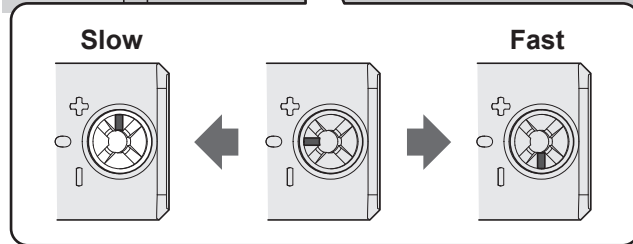
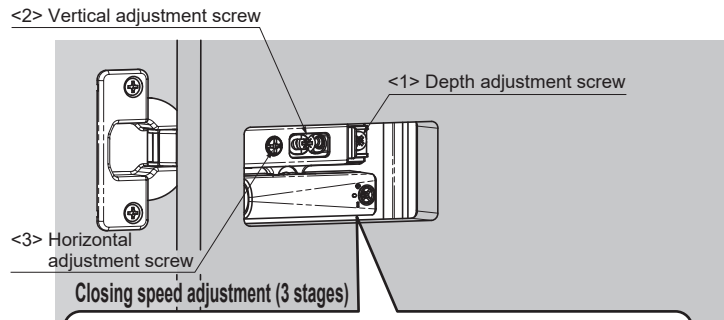
※When there are adjustment bolts at top and bottom, align their positions.



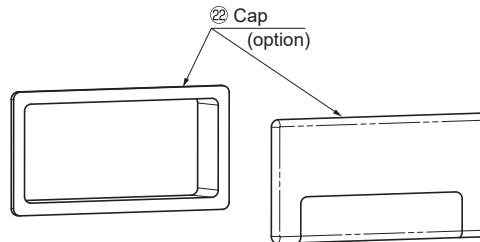
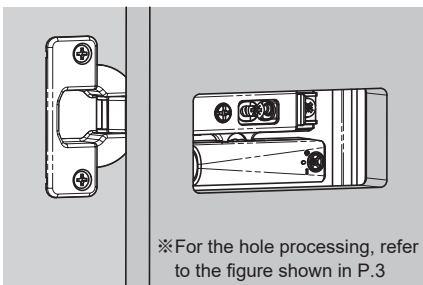
8 Door depth, vertical, horizontal, and closing speed adjustment



Carry out the adjustment from the hinge access hole with the door opened



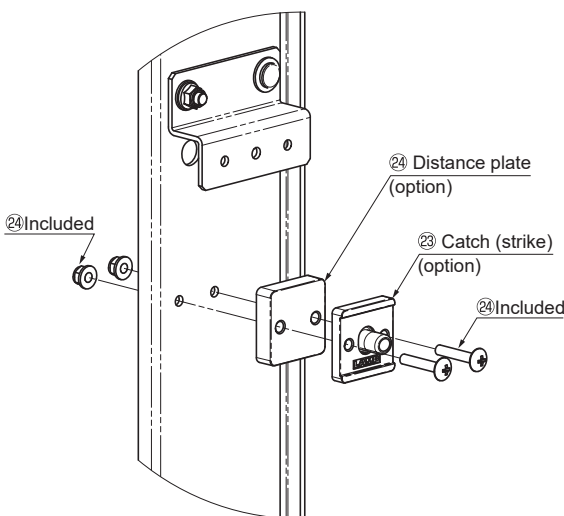
9 Mounting the cap (option)



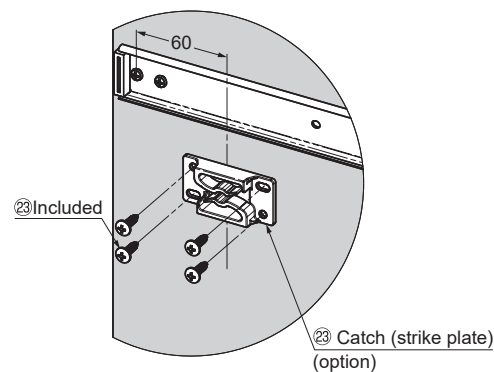
10 Mounting catches and distance plate (option)

1 Mount the catches (strikes) to the connecting plate

2 Mount catches (strike plates) at the same height



S and M types ... center of rail height
 L type 60 mm below the center of rail height
 LL type 60 mm below the height of middle rail



SUGATSUNE KOGYO CO., LTD.
 Tokyo, JAPAN
 Phone: +81 3 3866 2260
 E-mail: export@sugatsune.co.jp
SUGATSUNE KOGYO (UK) LIMITED
 Reading, UK
 Phone: +44 1189 272 955
 E-mail: sales@sugatsune.co.uk
SUGATSUNE EUROPE GmbH
 Düsseldorf, GERMANY
 Phone: +49 211 53812 900
 E-mail: sales@sugatsune.eu

SUGATSUNE AMERICA, INC.
 California, USA
 Phone: +1 310 329 6373
 E-mail: sales@sugatsune.com
Chicago, USA
 Phone: +1 630 317 7072
 E-mail: sales@sugatsune.com
SUGATSUNE CANADA, INC.
 Montreal, CANADA
 Phone: +1 514 312 5267
 E-mail: support@sugatsune.ca

SUGATSUNE SHANGHAI CO., LTD.
 Shanghai, CHINA
 Phone: +86 21 3632 1858
 E-mail: lamp@sugatsune.com.cn
Guangzhou, CHINA
 Phone: +86 20 6639 3554
 E-mail: lamp@sugatsune.com.cn
SUGATSUNE KOREA CO., LTD.
 Incheon, KOREA
 Phone: +82 32 220 0603
 E-mail: sales@sugatsune-korea.co.kr

SUGATSUNE KOGYO INDIA PRIVATE LIMITED
 Mumbai, INDIA
 Phone: +91 9867299597
 E-mail: sales@sugatsune.in
Delhi, INDIA
 Phone: +91 9867299597
 +91 11 45093636
 E-mail: sales@sugatsune.in