

Installation Manual

LAMP®

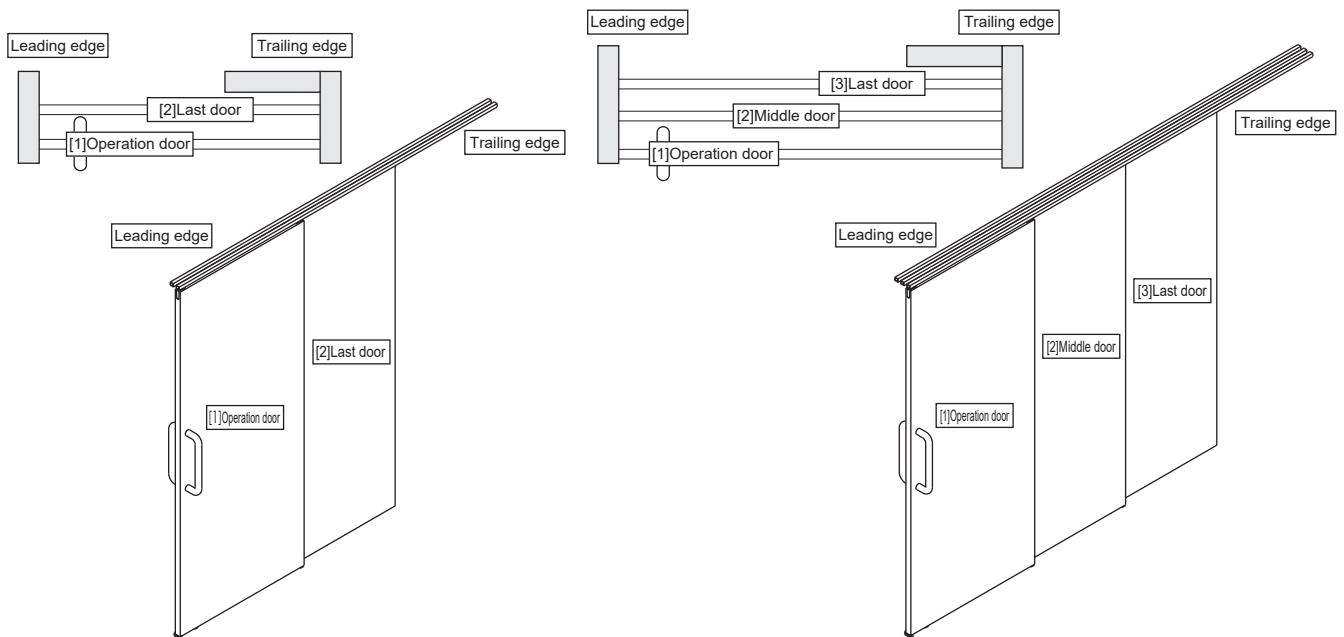
FD25SP MULTIPLE SYNCRONIZED SLIDING DOOR SYSTEM Recessed Mount Roller, Two-Way Soft Close

Part No.
FD25SP-HRP2
FD25SP-HRP3

Thank you for using our product. Before installation, please read this manual thoroughly to ensure correct installation. Please keep this manual at hand for future reference.

ABOUT THE PRODUCT

- This product is a parts set for an indoor synchronized sliding door system with two-way soft motion in opening and closing directions.
- This is a parts set for a sliding door system for residential & commercial use.



FOR YOUR SAFETY AND CORRECT INSTALLATION



WARNING: If not followed, death or serious injury may result.



- This product should be installed by a qualified person in accordance with this manual. If it is not installed correctly, the door may fall and cause injury.
- Provide a frame that can withstand the weight and impact of opening and closing the door. Be sure to use the specified screws and tighten them securely. If the mounting strength is insufficient, the door may fall and cause injury.



- Do not use this product for any other purpose, or with doors that are outside the specifications of this manual.
- Do not disassemble or modify any parts other than those described in this document.

Caution: If not followed, injury or damage may result.

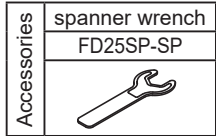


- Follow the specified dimensions, specifications, and alignment of the door and frame. Warping, tilting or twisting of the frame or door may cause failure.
- If cutting any parts, make sure to remove any burrs before installation. Also check the upper track for any left-over burrs or scraps and remove these.
- This product is a part for architectural fittings. After installation, please check the function and safety of the final product. Please inform the end user how to use the product safely.
- Make sure to check the screws for slack at regular intervals (one month from first usage, half a year, and then one time every year is recommended).
- Install the product with 2 people (in the case of 1 person, there is a risk of damaging components).

COMPONENT PARTS(2 doors synchronized)

	Available opening width(RO) When margin DN = 0	Door width	Max. Door height (DH)	Door thickness (Dt)	Max. Door weight	Vertical adjustment	Right-and-left adjustment
	766 - 1838 mm	464 - 1000 mm	2400 mm	30 - 38 mm	25 kg	± 3 mm	± 2 mm

No.	①	②	③	④	⑤	⑥	⑦	⑧	⑨	⑩	⑪	
Name	Upper track for soft-closing (surface mount)	Upper track for soft-closing (recessed mount)	Soft closer (two-way)	Retrofit Trigger (Black)	Upper roller	Retrofit Trigger (Black)	Door guide (door mount)	Door guide (wall mount)	Block for bottom guide	Bumper block	Guide track	End stopper
Item No.	FD25SP-TRM	FD25SP-TRH	FD25SP-WRH-DSC	FD25SP-30-TRG	FD25SP-WRH-N	FD25SP-30-TRG	FD30-HRDG	FD30-HBGF	FD30-HRDB	FD30-HBB	FD30-HBDR1000	FD30-HRGU
Item												
Accessories	1820 mm-3640 mm any one of two Hole pitch :300 mm Pitch end :30 mm		Pan head tapping screw 3.5×30 3 pcs	-	Pan head tapping screw 3.5×30 3 pcs	-	Countersunk head tapping screws 4 × 25...5 pcs	Countersunk head tapping screws 4 × 25...4 pcs	Truss head tapping screw 3.5 × 30...1pc	-	-	Bind head tapping screw 3.5 × 20...4 pcs
Remarks	Recommended screw: Countersunk head tapping screw 3.5×20		Included Jig	② Included with	-	-	-	-	-	-	Recommended Screws: Countersunk head tapping screw 4 × 20	L/R 1 ea



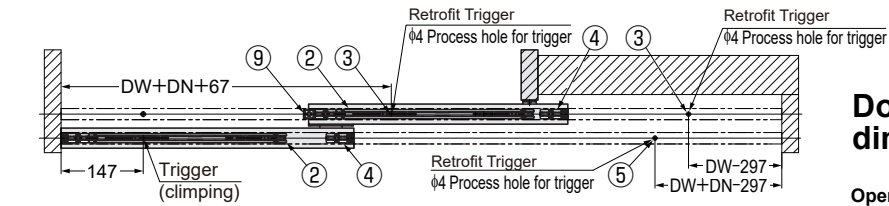
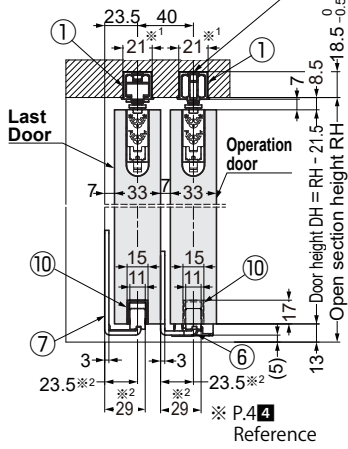
INSTALLATION DRAWING

In case of 33 mm thick door (recessed mounted track)

※¹ Groove dimensions (reference only)

Recommended screw:
Countersunk head tapping screw 3.5×20

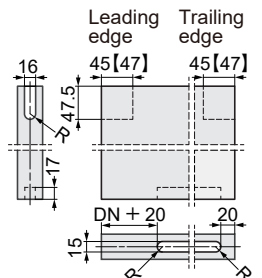
Door width reference size DW Calculation
 $DW = \frac{FW + 160 - DN}{3}$ FW: Opening width in frame
 DN: Margin



Door process dimensions

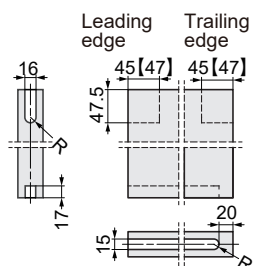
Operation door

[]: When cover cap (option) is used.

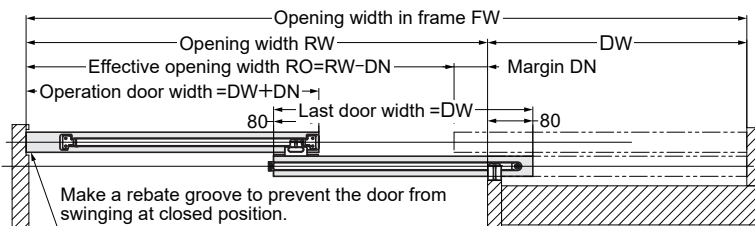
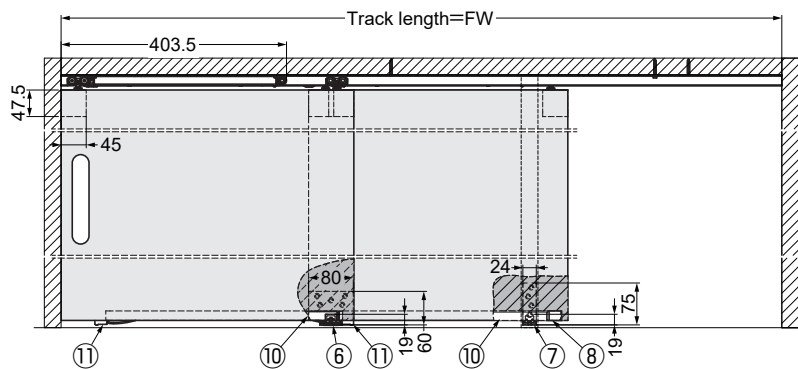
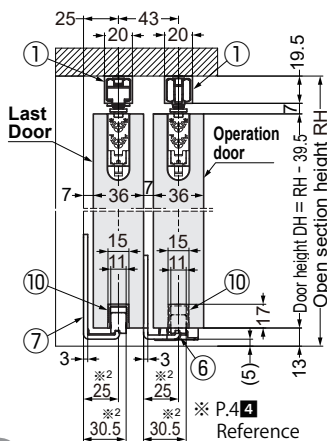


Last Door

[]: When cover cap (option) is used.



In case of 36 mm thick door (surface mounted track)



※¹ The groove depth 21 is for reference only.

※² The door guides ⑥ & ⑦ are adaptable by changing the direction of the head part.

COMPONENT PARTS(3 doors synchronized)

	Available opening width(RO) When margin DN = 0	Door width	Max. Door height (DH)	Door thickness (Dt)	Max. Door weight	Vertical adjustment	Right-and-left adjustment
	1152 – 2760 mm	464 – 1000 mm	2400 mm	30 – 38 mm	25 kg	± 3 mm	± 2 mm

No.	①	②	③	④	⑤	⑥	⑦	⑧	⑨	⑩	⑪	
Name	Upper track for soft-closing (surface mount)	Upper track for soft-closing (recessed mount)	Soft closer (two-way)	Retrofit Trigger (Black)	Upper roller	Retrofit Trigger (Black)	Door guide (door mount)	Door guide (wall mount)	Block for bottom guide	Bumper block	Guide track	End stopper
Item No.	FD25SP-TRM	FD25SP-TRH	FD25SP-WRH-DSC	FD25SP-30-TRG	FD25SP-WRH-N	FD25SP-30-TRG	FD30-HRDG	FD30-HBGF	FD30-HRDB	FD30-HBB	FD30-HBDR1000	FD30-HRGU
Item												
Accessories	1820 mm-3640 mm any one of three Hole pitch :300 mm Pitch end :30 mm	Pan head tapping screw 3.5x30 3 pcs	-	Pan head tapping screw 3.5x30 3 pcs	-	Countersunk head tapping screws 4 x 25...5 pcs	Countersunk head tapping screws 4 x 25...4 pcs	Truss head tapping screw 3.5 x 30...1pc	-	-	Bind head tapping screw 3.5 x 20...4 pcs	-
Remarks	Recommended screw: Countersunk head tapping screw 3.5x20	Included Jig	② Included with	-	-	-	-	-	-	Recommended Screws: Countersunk head tapping screw 4 x 20	-	L/R 2 ea

Accessories	spanner wrench FD25SP-SP
-------------	-----------------------------

INSTALLATION DRAWING

In case of 33 mm thick door (recessed mounted track)

※¹ The groove depth 21 is for reference only.
※² The door guides ⑥ & ⑦ are adaptable by changing the direction of the head part.

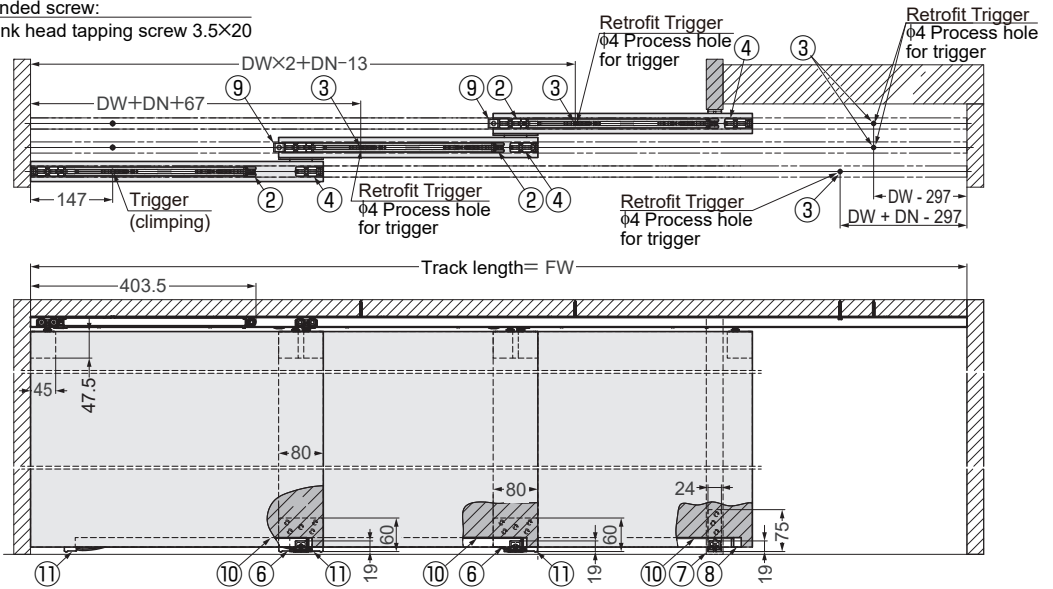
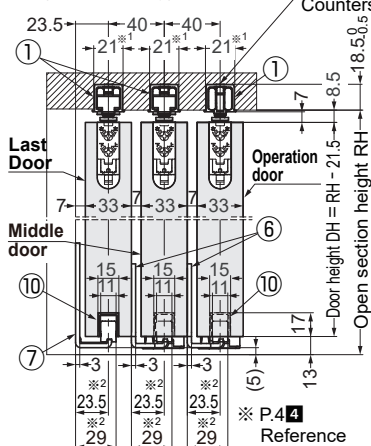
Door width reference size DW Calculation

$$DW = \frac{FW + 240 - DN}{4}$$

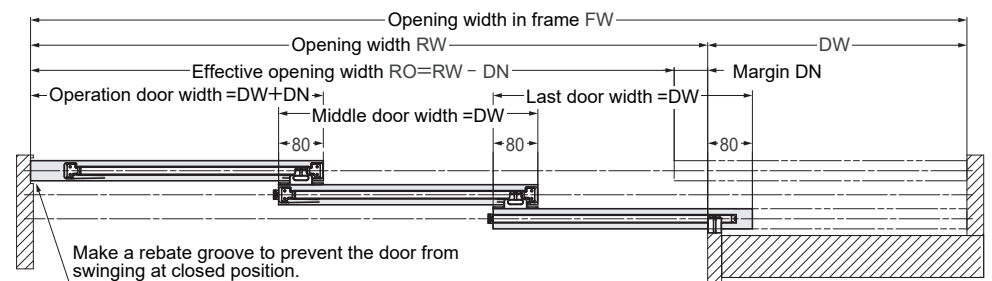
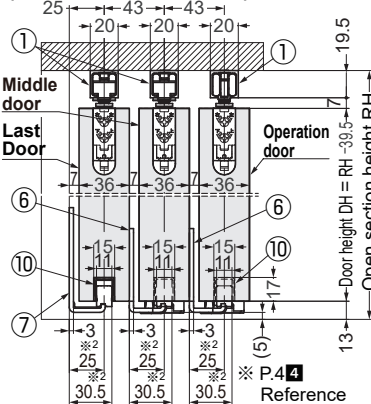
FW: Opening width in frame
DN: Margin

※¹ Groove dimensions (reference only)

Recommended screw:
Countersunk head tapping screw 3.5x20

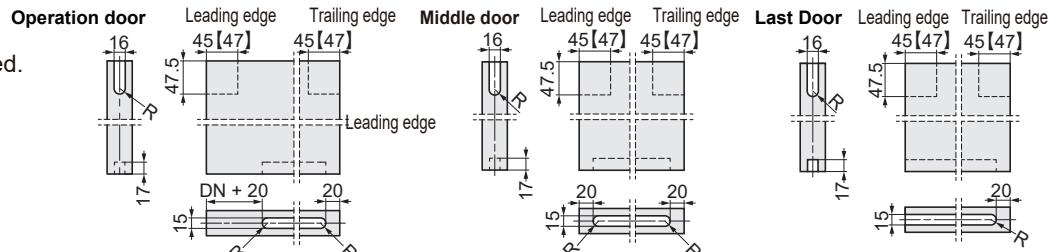


In case of 36 mm thick door (surface mounted track)



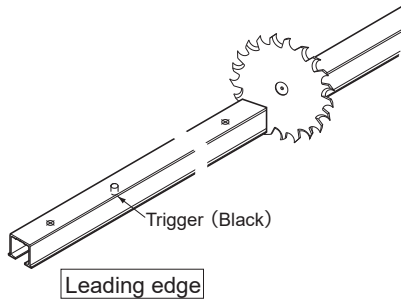
Door process dimensions

[]: When cover cap (option) is used.



INSTALLATION PROCEDURE (In this manual, a single sliding door is used as an example.)

1 Cutting Upper Track

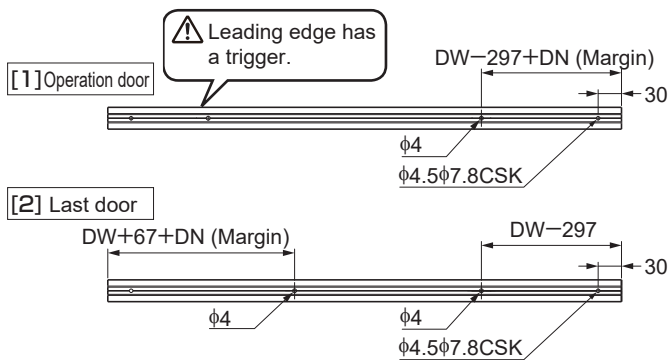


⚠ Caution
 Do not cut trigger side (leading edge) of upper track.

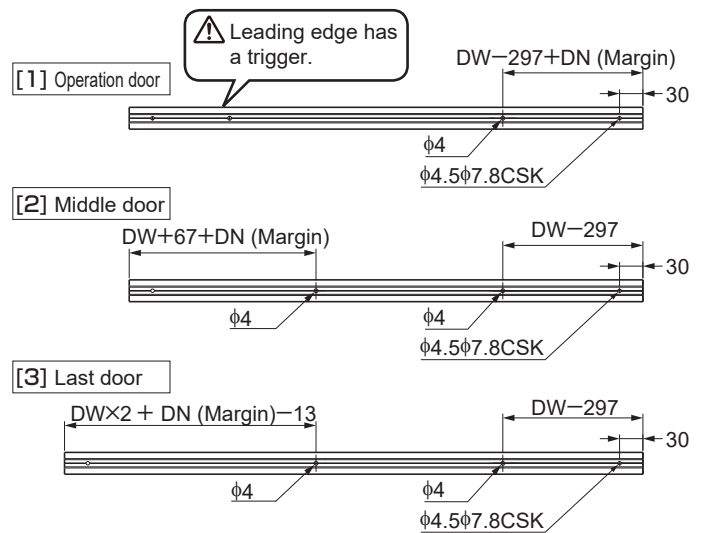
⚠ Caution
 When cutting, reinforce the track to prevent deformation at the cut section.

2 Hole Processing on Tracks

<2 doors synchronized>

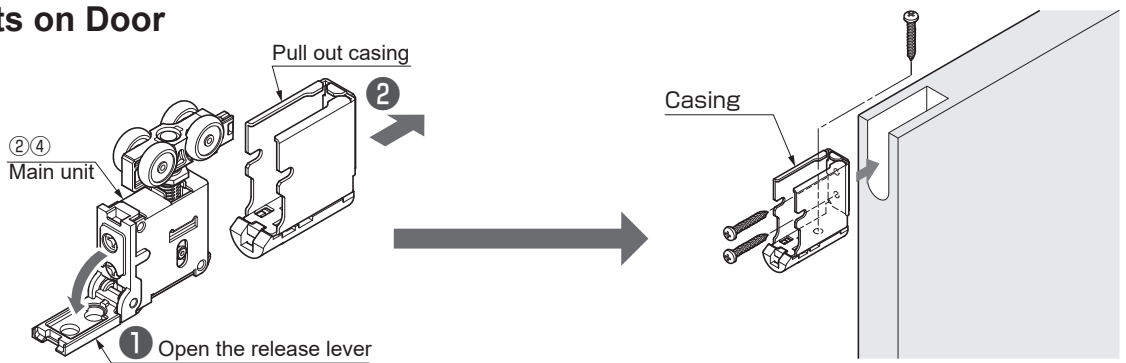


<3 doors synchronized>



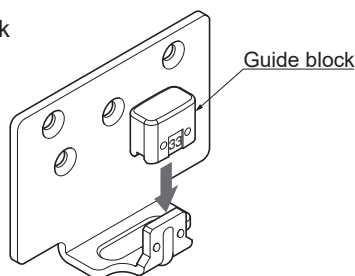
⚠ Caution
 Make sure to drill a hole in the direct center of the rail.

3 Mounting Parts on Door

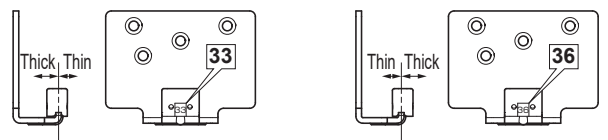


4 Assembly of Door Guide

Turn the direction of the guide block according to door thickness.

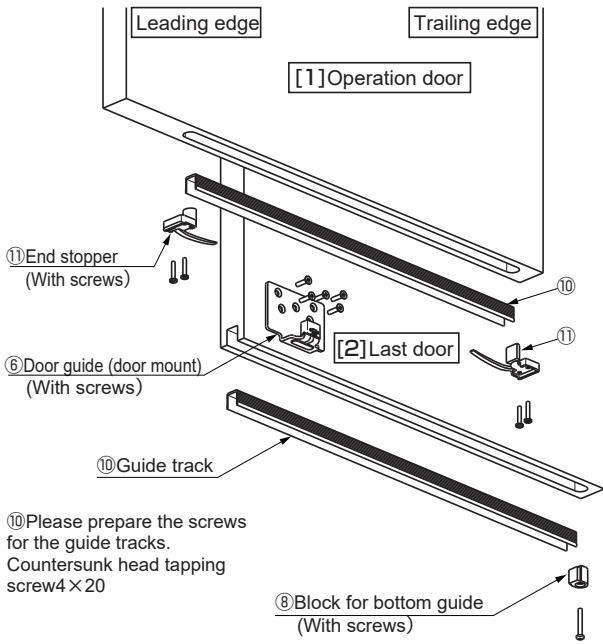


Door thickness	Marking
30 - 34	33
35 - 38	36

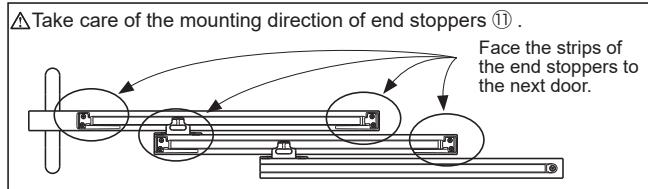


5 Parts Assembly on Doors △ For an opposite handed door, assemble the parts in the mirror opposite position.

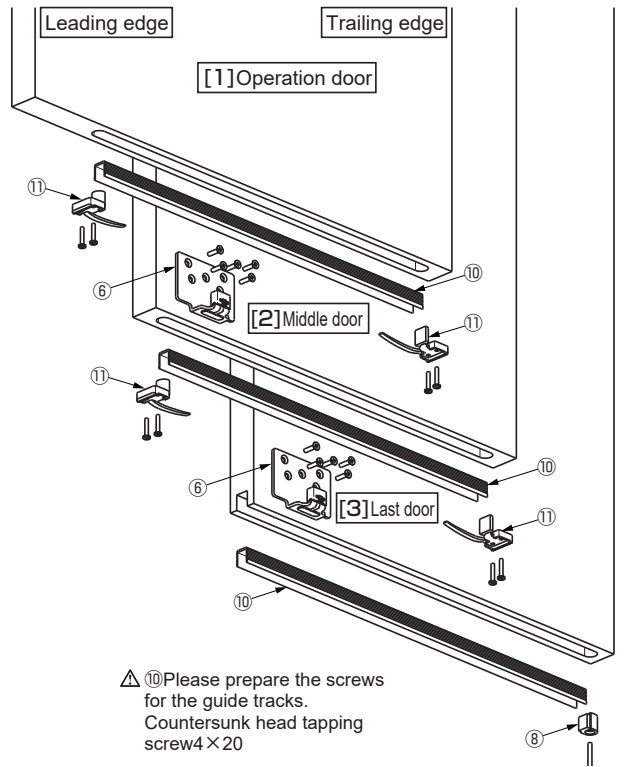
<2 doors synchronized>



△ 10 Please prepare the screws for the guide tracks.
Countersunk head tapping screw 4 × 20

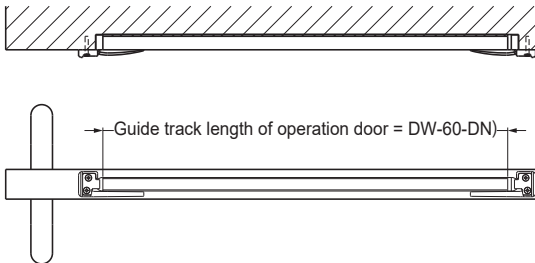


<3 doors synchronized>

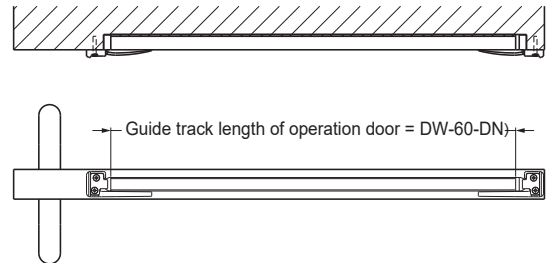


△ 10 Please prepare the screws for the guide tracks.
Countersunk head tapping screw 4 × 20

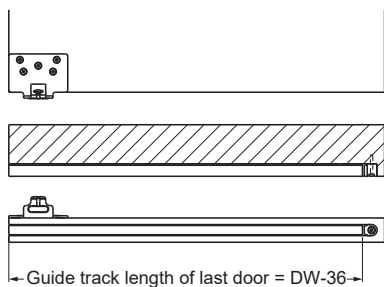
<2 doors: Mounting parts on operation door>



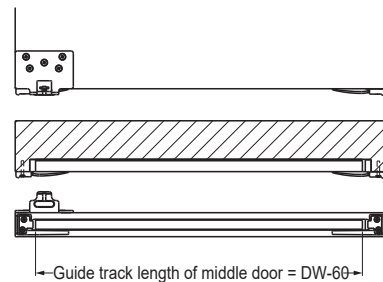
<3 doors: Mounting parts on operation door>



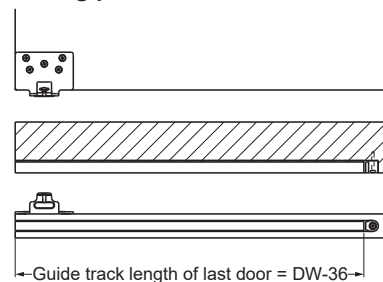
<2 doors: Mounting parts on last door>



<3 doors: Mounting parts on middle door>

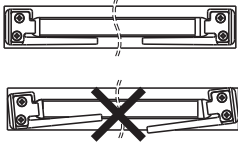


<3 doors: Mounting parts on last door>

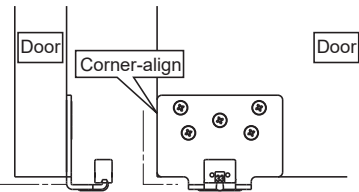


△ Align the end stoppers.

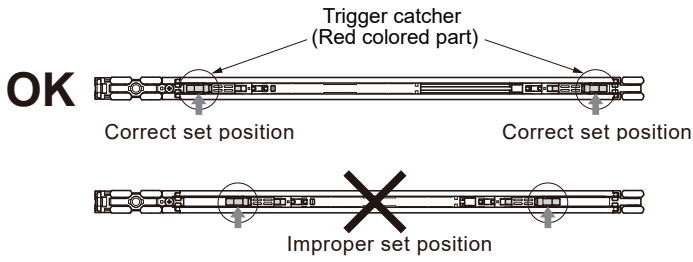
OK



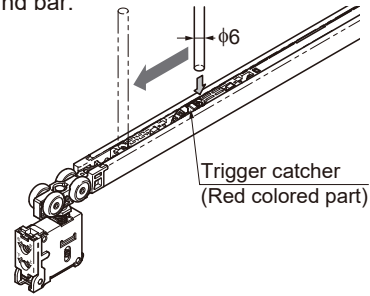
△ Fit the door guide to the bottom end of the door.



6 Verification Before Installing Soft Closer



If the trigger position is wrong, pull back the trigger catcher to the correct position using a 6 mm diameter round bar.



Caution

Without verification the self closing feature may fail.

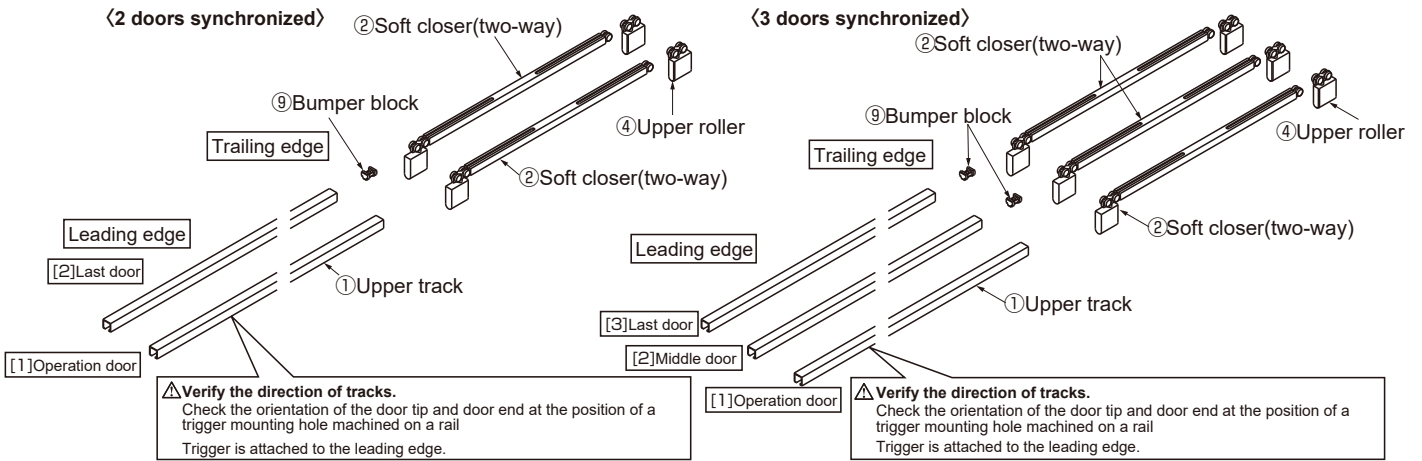
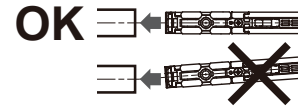
7 Inserting Parts into Upper Tracks

Caution

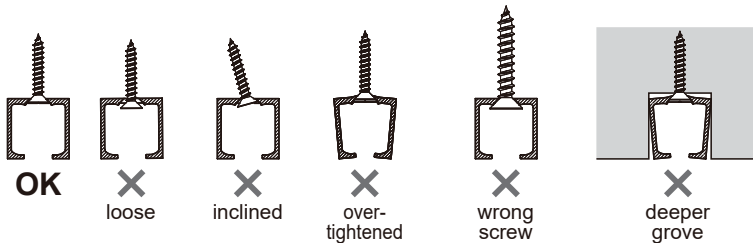
- ❗ Remove any dust or aluminum chips from the upper track.
- ❗ Tape around rollers and upper track to prevent inserted parts from falling.

- ❗ Do not insert closer into the rail at an angle or it will not function properly.

- ⚠ please prepare the screws; (Countersunk head tapping screw 3.5 × 20)



8 Mounting of Upper Track (Recommended screw: Countersunk head tapping screw 3.5 × 20)

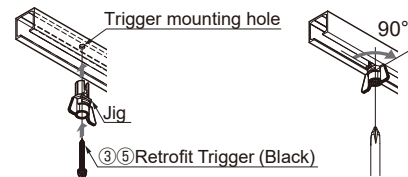
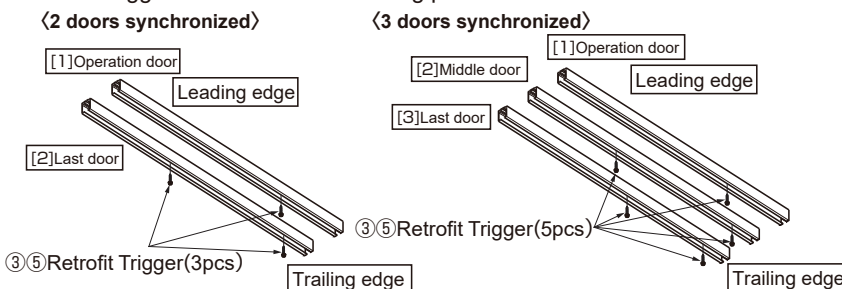


Caution

- ❗ Be careful not to overtighten the screws and screw heads protruding on upper track.
- ⊘ It may cause deformation of track or damage of soft closer.

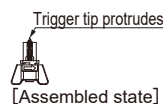
9 Fastening Additional Triggers

Fix trigger to the hole made during procedure 2.



1. Align the trigger and jig with the mounting hole.

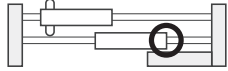
2. Install trigger.



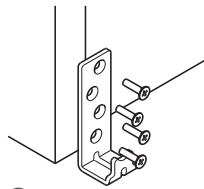
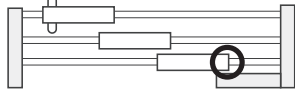
- ⊗ Incomplete.
- ⊗ Out of straight.
- ⊕ OK Correct installation

10 Mounting Door Guides (Attach to the following position ○)

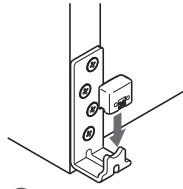
<2 doors synchronized>



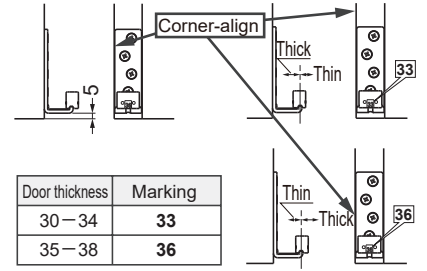
<3 doors synchronized>



① Fasten the base plate with provided screws.



② Insert the guide block according to the table and illustration right.



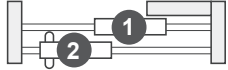
Door thickness	Marking
30-34	33
35-38	36

11 Hanging Door

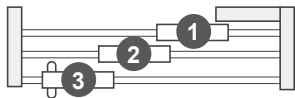
[1] Order of hanging

Hang the doors in order from ① - ③

<2 doors synchronized>

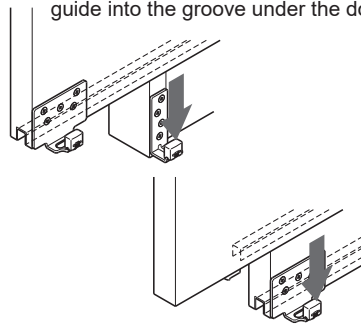


<3 doors synchronized>

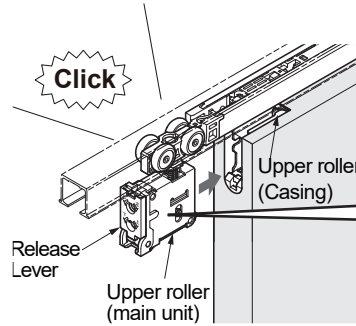


[2] Hanging

Put a 13 mm support under the door. While holding the door, insert the guide into the groove under the door.



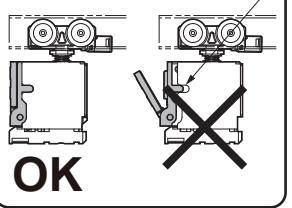
[3] Insert until it clicks.



⚠ Caution

❗ Verify that the main unit is not dislocated from the casing, either of the door ends.

If there is a gap, the release lever will not close.



12 Verification of Soft Closer Operation

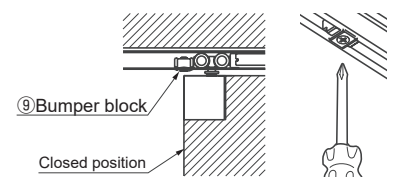
● Starting point of soft - motion.

Approx. 60 mm before the stop position.

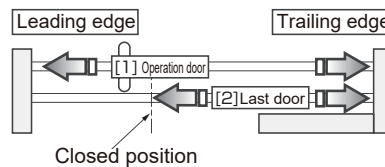
If necessary, adjust position of bumper block in the track so that the position is realized as shown in "Installation Drawing".

Then fix them by tightening them with screws.

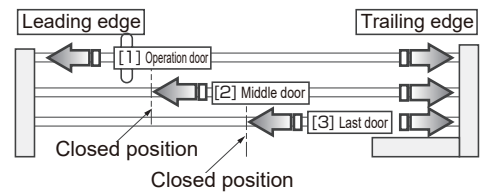
Adjustment of ⑨ Bumper block



<2 doors synchronized>



<3 doors synchronized>



13 Adjusting the Door Position

[1] Order: [1] Operation door, [2] Middle door, [3] Last door.

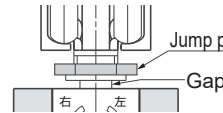
[2] [1]: Adjust the door so that it is parallel to the upper track with 13 mm of clearance between the door and floor.

[3] [2], [3]: Adjust the door so that the clearance between the door bottom and door guide will be 5 mm.

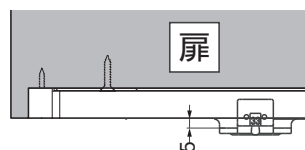
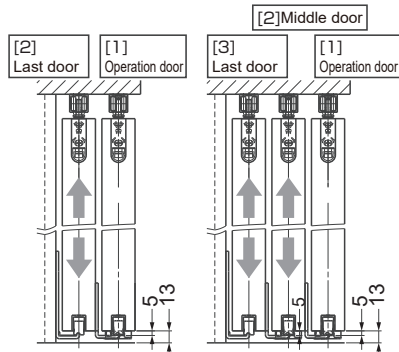
⚠ Caution

❗ Do not turn the adjustment screw beyond adjustment range.

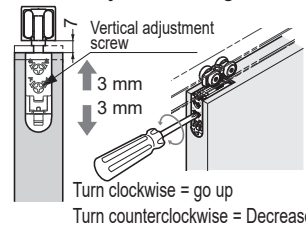
⊘ Do not turn adjustment screw beyond adjustment range.



⊘ Do not use electric screw driver.

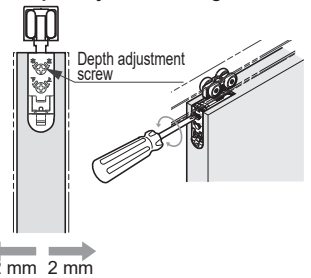


Vertical adjustment range: 6 mm



Turn clockwise = go up
Turn counterclockwise = Decrease

Depth adjustment range: 4 mm



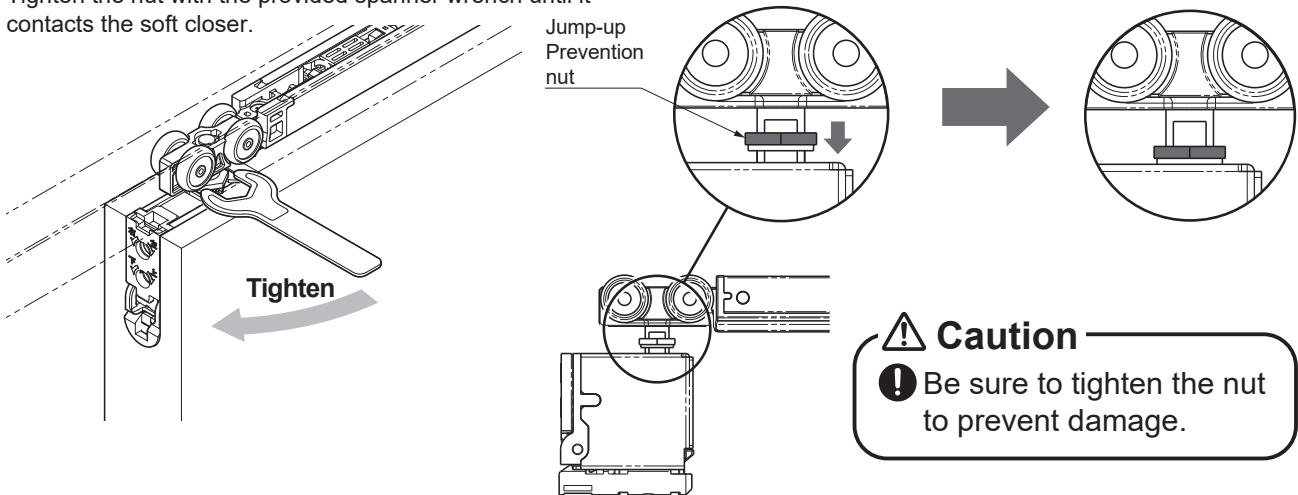
After finishing vertical adjustment of door, repeat confirmation of sliding door closer operation (section 12).

If the door is not closed completely, the clearance between the door bottom and door guide may be less than 5 mm.

In this case, lower the middle door and the last door slightly.

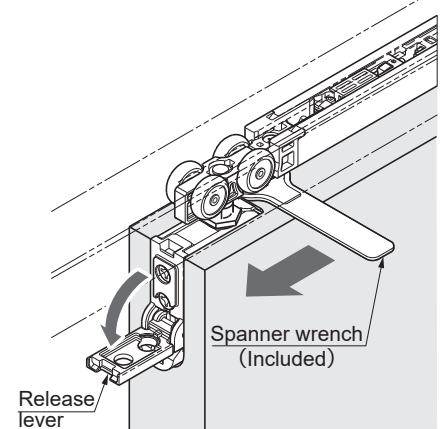
14 Fastening the Jump Prevention Nut

The jump prevention nut is on the hanger bolt of the upper roller. Tighten the nut with the provided spanner wrench until it contacts the soft closer.



Appendix 1 How to remove door

Use a 10 mm support under the door. Then pull the upper roller body out of the door while lowering the lever. If it is difficult to install or detach the roller, loosen the nut as shown in the illustration. It will be easier if you slide the hanger bolt with a spanner wrench.



PERIODICAL INSPECTION	<ul style="list-style-type: none"> • Clean the inside of the track. • Check the upper and lower space of the door. If necessary, correct the space.
-----------------------	---

TROUBLESHOOTING

Trouble	Check Point	Solution
Door stops during soft closing	Check if door bottom contacts the floor or floor guide.	Verify that the track mounting screws are not loosened. Then, adjust the door height such that the clearance between the door bottom and floor is 10 - 16 mm.
	Check if upper track is set horizontally.	Using a level gauge, reset upper track horizontally.
	Check if mohair seal is installed.	Reduce the friction between mohair and door.
No soft closing	Check if trigger is installed.	Install trigger to correct position.
	Check if door is closed by excessive force.	Do not close door by excessive force as it may damage soft closer.
	The position of the trigger catcher in page 6 section 6 may become dislocated. (It is hidden as installed in upper track.)	Slowly move the door towards the leading edge, then push the door firmly. Repeat this action on the opposite side as well. If it is still not improved, check the status of the trigger catcher in section 6.
Abnormal noise during operation	Check if door touches adjacent parts.	Adjust the door depth position to avoid contact with other objects or adjust the position of floor guide.
	Check track rollers for aluminum dust.	Remove the track, then pull out and clean the roller.
	Check the track mounting screws for looseness.	Retighten the screws to free the roller.
Heavy door operation	Check if door touches adjacent parts.	Adjust the door depth position to avoid contact with other objects or adjust the position of floor guide.
Door does not move.	Check the track retaining screws for looseness.	Retighten screws to free the roller.

SUGATSUNE KOGYO CO., LTD.
Tokyo, JAPAN
Phone: +81 3 3866 2260
E-mail: export@sugatsune.co.jp

SUGATSUNE KOGYO (UK) LIMITED
Reading, UK
Phone: +44 1189 272 955
E-mail: sales@sugatsune.co.uk

SUGATSUNE EUROPE GmbH
Düsseldorf, GERMANY
Phone: +49 211 53812 900
E-mail: sales@sugatsune.eu

SUGATSUNE AMERICA, INC.
California, USA
Phone: +1 310 329 6373
E-mail: sales@sugatsune.com

Chicago, USA
Phone: +1 630 317 7072
E-mail: sales@sugatsune.com

SUGATSUNE CANADA, INC.
Montreal, CANADA
Phone: +1 514 312 5267
E-mail: support@sugatsune.ca

SUGATSUNE SHANGHAI CO., LTD.
Shanghai, CHINA
Phone: +86 21 3632 1858
E-mail: lamp@sugatsune.com.cn

Guangzhou, CHINA
Phone: +86 20 6639 3554
E-mail: lamp@sugatsune.com.cn

SUGATSUNE KOREA CO., LTD.
Incheon, KOREA
Phone: +82 32 220 0603
E-mail: sales@sugatsune-korea.co.kr

SUGATSUNE KOGYO INDIA PRIVATE LIMITED
Mumbai, INDIA
Phone: +91 9867299597
E-mail: sales@sugatsune.in
Delhi, INDIA
Phone: +91 9867299597
+91 11 45093636
E-mail: sales@sugatsune.in