

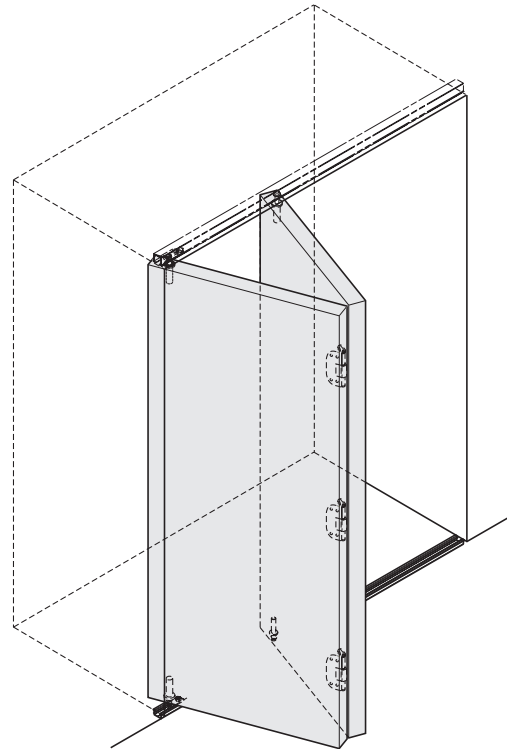
Thank you for selecting our product. Before starting installation, please read this manual thoroughly to ensure correct installation. Please keep this manual at hand for future reference.

ABOUT THE PRODUCT

- This product is a parts set for folding door system for indoor use.
- Easy door installation and adjustment.

SPECIFICATION

Max .Door width	450 mm
Max .Door height	2400 mm
Min .Door thickness	28 mm
Max .Door weight	15 kg / door
Height adjustable range	+ 3mm



FOR YOUR SAFE WORK AND CORRECT INSTALLATION

Meaning of symbols

	Warning Caution		Prohibited		Required
--	------------------------	--	-------------------	--	-----------------

! WARNING: If not followed, death or serious injury may result.

- ! This (sliding door system) should be installed by a qualified person. If the system is not installed correctly, the door will not operate smoothly, and may cause injury.
- ! It is necessary to manufacture the frame with sufficient strength so that it endures the weight of the door and any impact upon opening/closing the door. Only use designated screws and ensure that they are fastened firmly. A frame with poor strength or loose screws might result in the door falling and causing injury. Do not try to use this product for anything other than its original purpose.
- ⊘ Do not use any part for applications outside of its specification.
- ⊘ Do not disassemble nor modify any parts other than those described in this document.

! Caution: If not followed, injury or damage may result.

- ! This product is a part for architectural fittings. After installation, make sure to test the finished product thoroughly to ensure that it is well-functioning and safe. Please inform the end user about general precautions and safety to prevent improper use.
- ! Make sure to follow the designated dimensions, specifications, and horizontal/vertical angles. Make sure that the frame is not warped, since it may affect the movement of the door.
- ! If cutting any parts, make sure to remove any burrs before installation. Also check the upper track for any left-over burrs or scraps and remove these.
- ⊘ Do not open / close the door with excessive force as this may result in damage.
- ! Make sure to check the screws for slack at regular intervals (one month from first usage, half a year, and then one time every year is recommended).

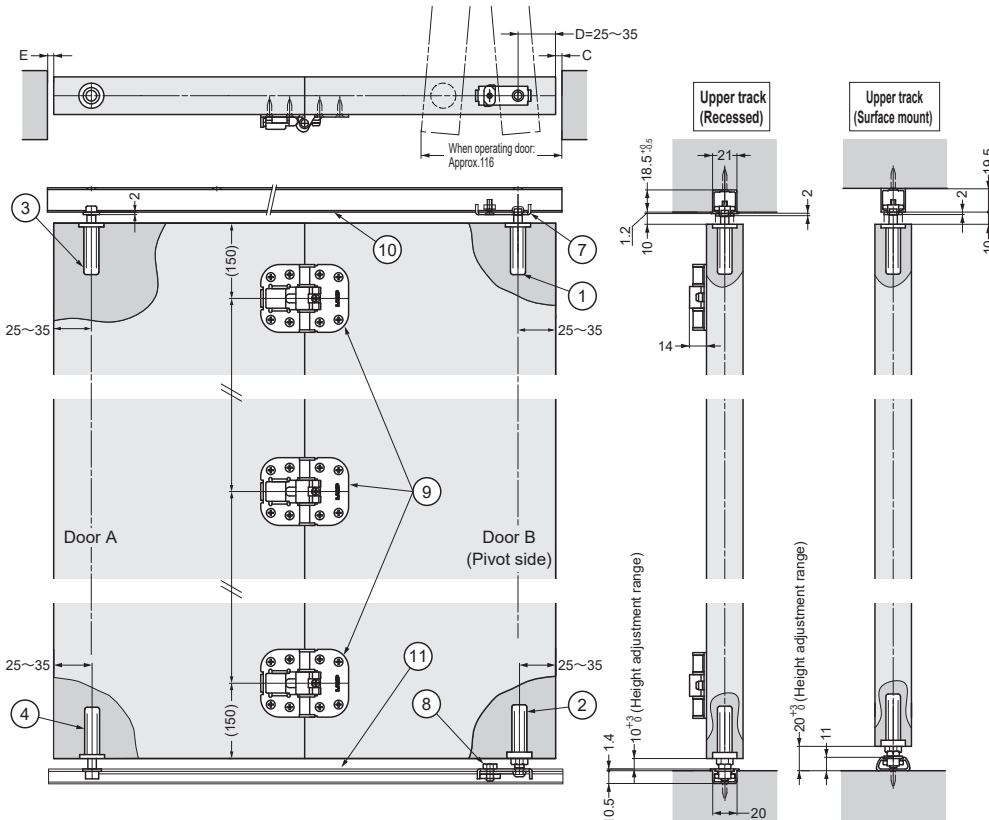
COMPONENT PARTS

No.	①	②	③	④	⑤	⑥	⑦
Name	Upper pivot	Bottom pin	Guide roller	Guide pin	Pivot insert Jig	Spanner	Pivot bracket (upper)
Item No.	FD30-FTP	FD30-FBP	FD30-FGRU	FD30-FGR	FD30-FSJ	FD30-FSP	FD30-FSKU
Item							
Attached screw	—	—	—	—	—	—	—
2 door Lower track fixed hanging section	1	1	1	1	1	1	1
4 door Lower track fixed hanging section	2	2	2	2	1	1	2

No.	⑧	⑨	⑩		⑪	
Name	Pivot bracket (bottom)	Center hinge (surface mount)	Upper track (surface mount)	Upper track (recessed mount)	Guide track (surface mount)	Guide track (recessed mount)
Item No.	FD30-FSK	FD30-CHM	FD30-TRM	FD30-TRH	FD30-FBRM	FD30-FBRH
Item						
Attached screw	—	Countersunk head Tapping screw 3.5×16	Recommended screw: counter sunk head tapping screw 3.5×20		Recommended screw: counter sunk head tapping screw 3.5×16	
2 door Lower track fixed hanging section	1	3	Use1(surface mount or recessed)		Use1(surface mount or recessed)	
4 door Lower track fixed hanging section	2	6	Use1(surface mount or recessed)		Use1(surface mount or recessed)	

INSTALLATION DRAWING(EXAMPLE)

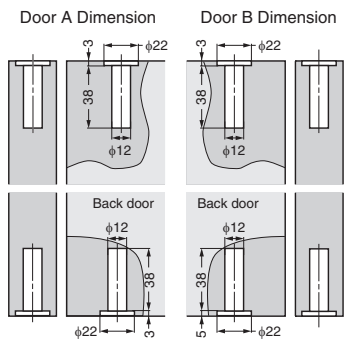
Door opening (when 40mm door thickness, 450mm door width)



Minimum Dimension between Frame and Door

Door thickness	C = Gap	E = Gap			
		Door width 300	Door width 350	Door width 400	Door width 450
30	4.0	3.5	3.0	2.7	2.4
35	5.2	4.3	3.7	3.3	3.0
40	6.5	5.2	4.5	4.0	3.6

Door processing dimension

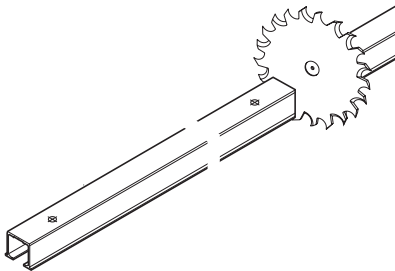


ASSEMBLY

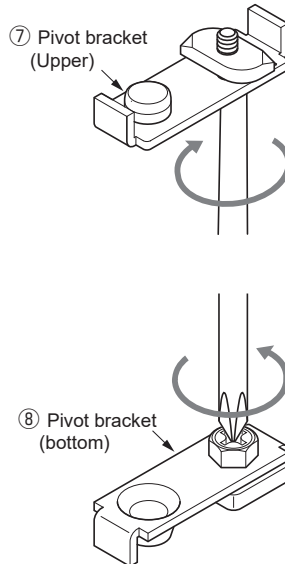
1 Cutting Track

Cut the track applying a reinforcer to prevent deformation of cut section.

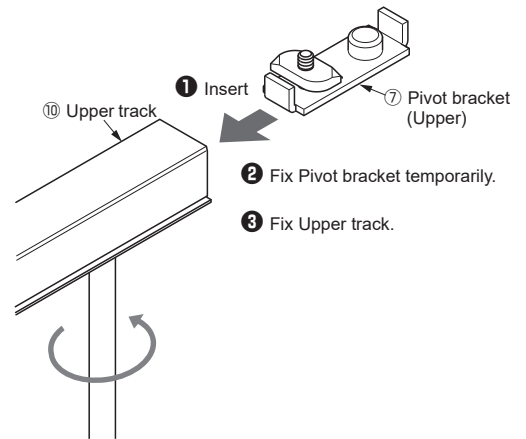
Remove any dirt or chips from the tracks.



2 Preparing Pivot Brackets

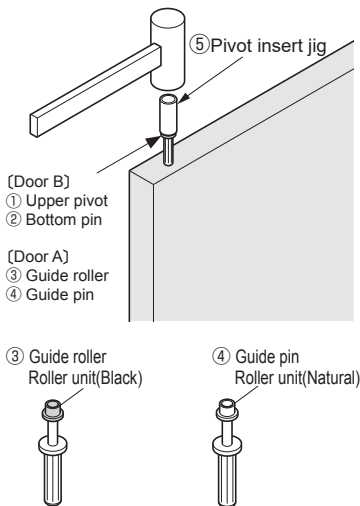


3 Assembly of Upper Track



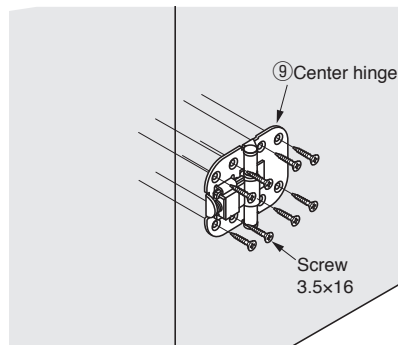
4 Assembling Parts on Door

Be careful not to damage the plastic parts.



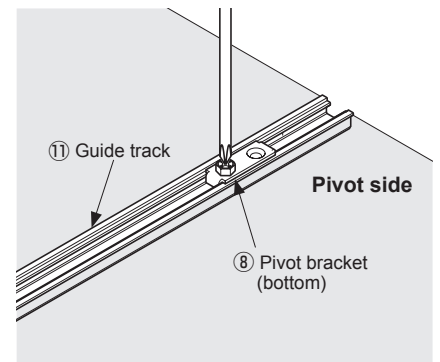
5 Installing Center Hinge

Fix all Center hinges in the same direction.



6 Installing Pivot Bracket

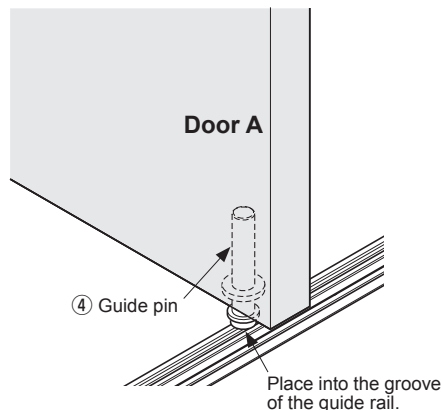
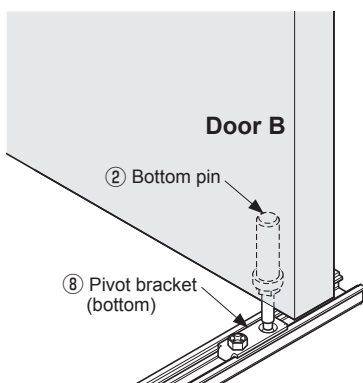
Mount pivot bracket ensuring the correct position, and install of the guide track. Then, fasten the pivot bracket in the correct position.



7 Installing Door

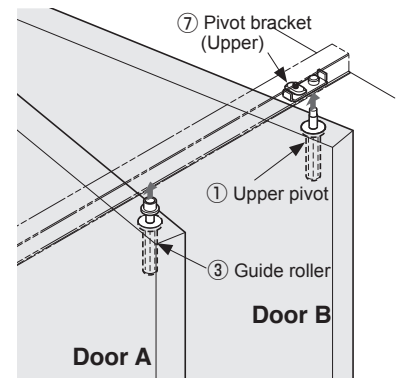
[1] Bottom

Place the end of the lower pivot shaft to the hole of the pivot bracket (Door B), as shown, and, insert guide pin (Door A) into the guide track groove.



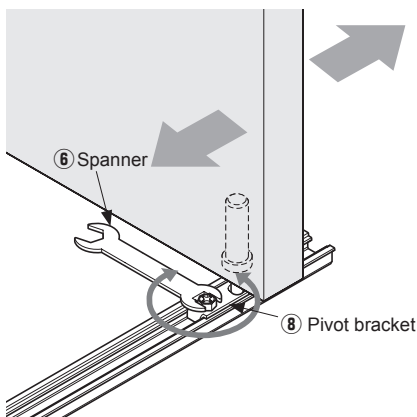
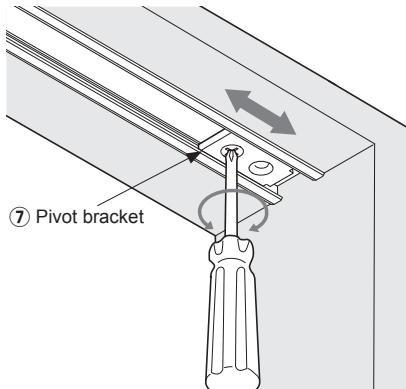
[2] Top

Pressing the pin of the Upper pivot on Door B insert it into the hole of the Pivot bracket. Fit the guide roller on Door A into the track.



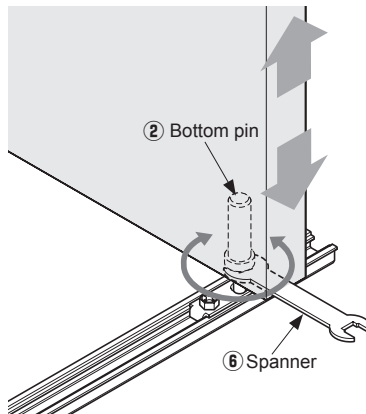
8 Door Adjustment

[1] Adjusting inclination of door

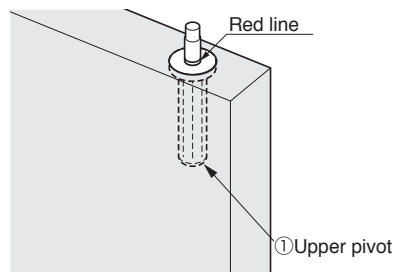


[2] Vertical adjustment

Turn the nut on Bottom pin with provided spanner.



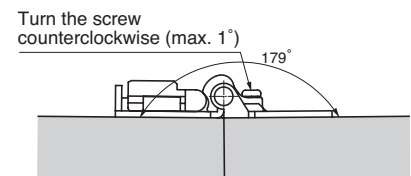
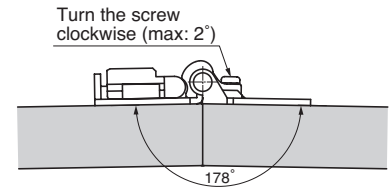
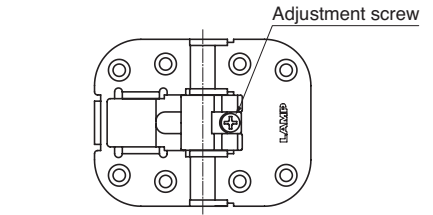
Adjustment guideline



Check if the red line on the pivot is hidden or not.
If it is visible, rotate the pivot on the bottom pin to raise the door.

[3] Adjustment of door angle .

Turn the adjustment screw on center hinge .



Final confirmation Confirm that all screws are securely tightened. And, confirm that all screws are used without mistake.

PERIODICAL INSPECTION

- Clean inside of track.
- Check upper space and lower space of the door. If necessary, correct the space.

TROUBLESHOOTING

Trouble	Check	Solution
Abnormal noise during operation	Check if door touches adjacent parts.	Provide necessary space between door and adjacent objects.
	Check inside of upper track for foreign matter or aluminum dust.	Remove dust or foreign matter.
	Check for loose screws retaining the upper track.	Tighten the screw.
Heavy door operation	Check if the space between the door and top/bottom track is correct.	Verify that the track fixing screws are not loosened. Then, adjust the door height such that the clearance between the door bottom and floor is 10 - 13 mm (20 - 23 mm when using surface mount guide track).
	Check if door touches adjacent parts.	Correct door position to avoid contact to other objects.
Door does not move.	Check the track retaining screws for looseness.	Retighten screws to free the roller.

SUGATSUNE KOGYO CO.,LTD
Tokyo, JAPAN
Phone: +81 (0)3 3866 2260 E-mail:export@sugatsune.co.jp

SUGATSUNE KOGYO (UK) LTD
Reading, UK
Phone: +44 118 9272 955 E-mail:sales@sugatsune.co.uk

SUGATSUNE SHANGHAI Co., LTD
Shanghai, CHINA
Phone: +86 21 3632 1858 E-mail:lamp@sugatsune.com.cn

Guangzhou, CHINA
Phone: +86 20 6639 3552 E-mail:lamp@sugatsune.com.cn

SUGATSUNE AMERICA, INC
California, USA
Phone: +1 310 329 6373 E-mail:sales@sugatsune.com

Chicago, USA
Phone: +1 630 317 7072 E-mail:sales@sugatsune.com

4 SUGATSUNE EUROPE GmbH
Düsseldorf, GERMANY
Phone: +49 211 53812900 E-mail:sales@sugatsune.eu

SUGATSUNE KOGYO INDIA PRIVATE LIMITED
Mumbai, INDIA
Phone: +91 22 28314490/91 E-mail:sales@sugatsune.in

ISO9001(Japan Offices and Sugatsune America) and ISO14001(Chiba Production division and Logistics center), certified.

SUGATSUNE CANADA, INC.
Phone: +1 514 312 5267 E-mail:support@sugatsune.ca