

LAMP® FD30EX SLIDING DOOR SYSTEM Installation Manual (Ceiling Mount Type for Pocket Door, with Dual Soft Close)

Part No.FD30EXDHCP-PD

Thank you for selecting our product. Before starting installation, please read this manual thoroughly to ensure correct installation. Please keep this manual at hand for future reference.

ABOUT THE PRODUCT

- This is a parts set for a sliding door system for stores, public facilities and residences.
- The door closes in 2 soft motion steps; first slow, then fast, and opens with a 1 step soft motion.
- The track can be divided for easy maintenance after installing.

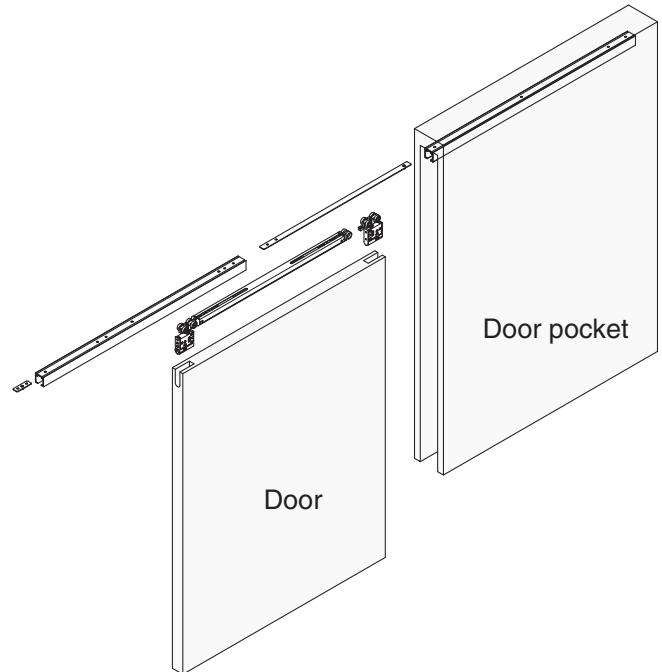
SPECIFICATIONS

Max. Door height	2400 mm
Door width	590 - 1000 mm
Min. Door thickness	30 mm
Max. Door weight	30 kg/door ※ ¹
Vertical adjustment	4 mm upward 3 mm downward
Front-rear adjustment	±2 mm

- The closing speed of the soft closing type door may change due to ambient temperature, operating method or installation quality.
- Recommended ambient temperature range is 5 to 40 degrees centigrade.

· Door retraction: Retract door slowly.

※¹ If a light weight door is applied, you may feel the resistance of the soft closer when opening the door.



FOR YOUR SAFETY WORK AND OPERATION

Meaning of symbols



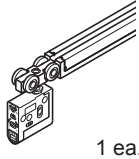
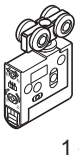
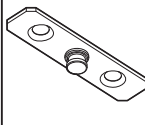


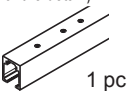
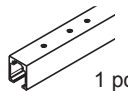

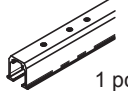
Warning: If these warnings are not followed, it may result in death or serious injury.


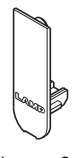
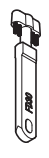
- ❗ This (sliding door system) should be installed by a qualified person. If the system is not installed correctly, the door will not operate smoothly, and may cause injury.
- ❗ It is necessary to manufacture the frame with sufficient strength so that it endures the weight of the door and any impact upon opening/closing the door. Only use designated screws and ensure that they are fastened firmly. A frame with poor strength or loose screws might result in the door falling and causing injury.
- ⊘ Do not try to use this product for anything other than its original purpose. Do not use any part for applications outside of its specification.
- ⊘ Do not disassemble nor modify any parts other than those described in this document.

Caution: If these cautions are not followed, it may result in injury or damage.

- ❗ Make sure to follow the designated dimensions, specifications, and horizontal/vertical angles. Make sure that the frame is not warped, since it may affect the movement of the door.
- ❗ If cutting any parts, make sure to remove any burrs before installation. Also check the upper track for any left-over burrs or scraps and remove these.
- ❗ This product is a part for architectural fittings. After installation, make sure to test the finished product thoroughly to ensure that it is well-functioning and safe.
- ❗ Make sure to check the screws for slack at regular intervals (one month from first usage, half a year, and then one time every year is recommended).
- ❗ When installing the "pocket door" specification, make the "easy-maintenance" structure. For example, use a removable panel.
- ❗ We recommend that the installation is carried out by two people, in order to ensure proper installation and avoid unnecessary stress on the parts.

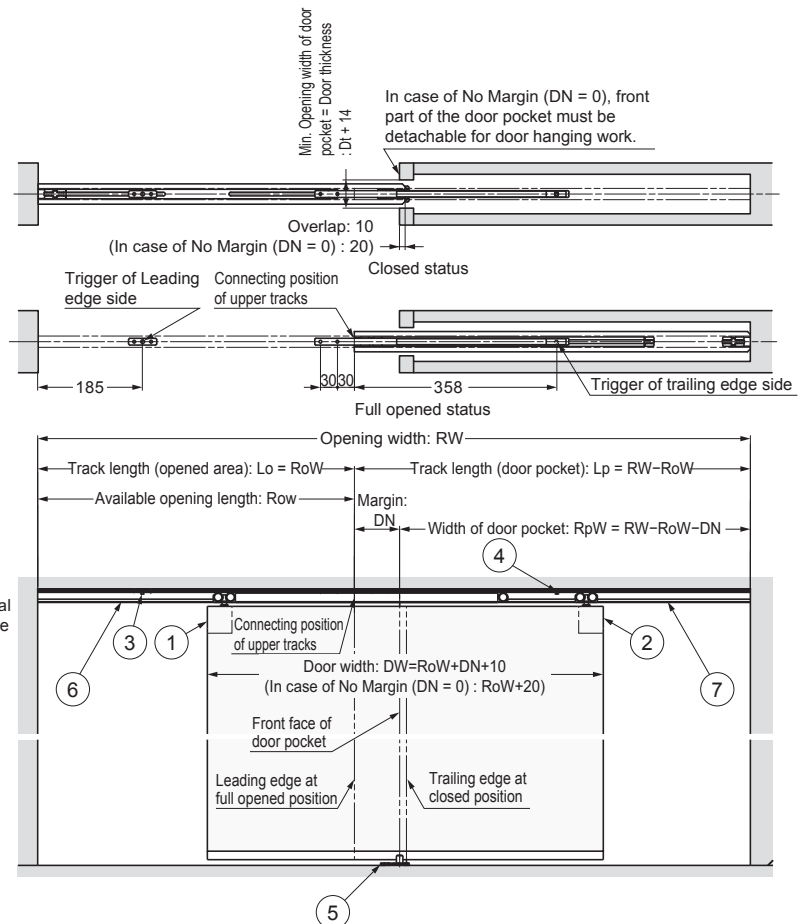
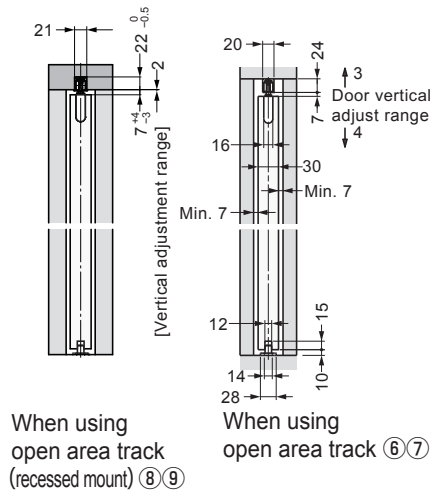
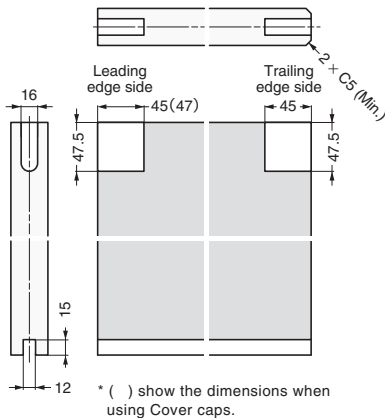
COMPONENT PARTS

No.	①	②	③	④	⑤	⑥	⑦	⑧	⑨
Name	Recessed mount soft closer (two-way)	Recessed mount roller	Front trigger	Pocket trigger	Floor guide	Open area track	Door pocket track	Open area track (recessed mount)	Door pocket track (recessed mount)
Part No.	FD30EX-WRH-DSC-A	FD30-WRH-N	FD30-TRGPF	FD30-TRGPB	FD30-HBG	FD30-35EV-TRMP		FD30-35EV-TRHP	
Parts	 1 ea.	 1 ea.	 1 ea.	 1 ea.	 1 ea.	The profile of ⑥ and ⑦ are the same, but the cut length and hole location are different. See installation procedure [1] for the detail.)  1 pc  1 pc		The profile of ⑧ and ⑨ are the same, but the cut length and hole location are different. See installation procedure [1] for the detail.)  1 pc  1 pc	
Accessories	Cross recessed pan head tapping screws 3.5 x 30 3 ea.	Cross recessed pan head tapping screws 3.5 x 30 3 ea.	Cross recessed countersunk head tapping screws 4.0 x 30 2 ea.	Cross recessed countersunk head tapping screws 4.0 x 30 2 ea.	Cross recessed countersunk head tapping screws 3.5 x 30 4 ea.	Countersunk head tapping screws 3.5 × 25 (Q'ty depends on the hole location)		Countersunk head tapping screws 3.5 × 25 (Q'ty depends on the hole location)	

No.	⑩	⑪	⑫
Name	Door guide track	Cover cap	Track cleaner
Part No.	FD30-HBRT1500SIL	FD50-WRH-CP	FD30-TRC
Parts	 Recommended screw: Countersunk head tapping screws 4 × 20	 Thickness: 2 mm	

INSTALLATION DRAWING (EXAMPLE)

The below drawing shows the sliding door when the leading edge is aligned with the connecting position of the upper tracks.
See page 9 to shift the connecting position forwards.



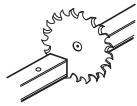
TOOLS REQUIRED FOR INSTALLATION

- Philips head driver #2
- Machine or tool for cutting aluminum alloy
- Drill bit for metal: $\phi 4.5$
- Drill bit for metal (for $\phi 7.8$ countersunk hole)

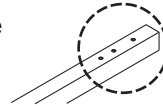
1 Cutting track and Hole Processing



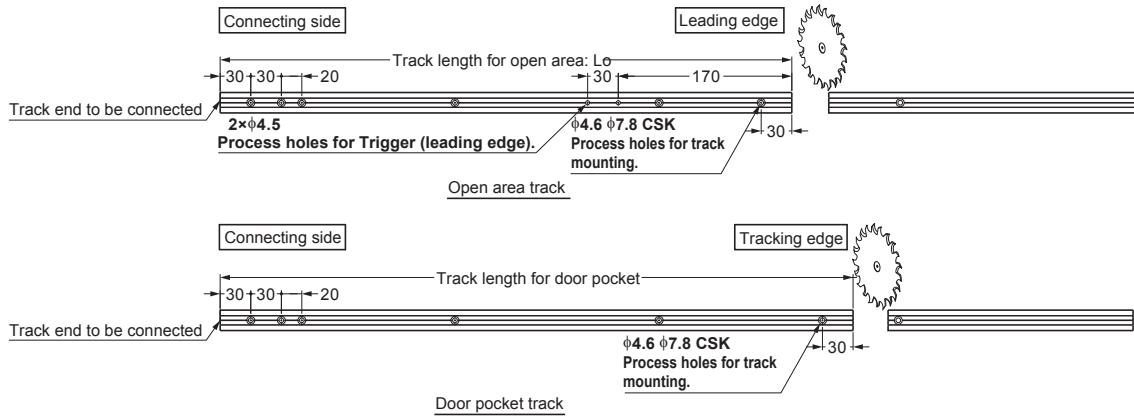
When cutting, reinforce the track to prevent deformation at the cut section.



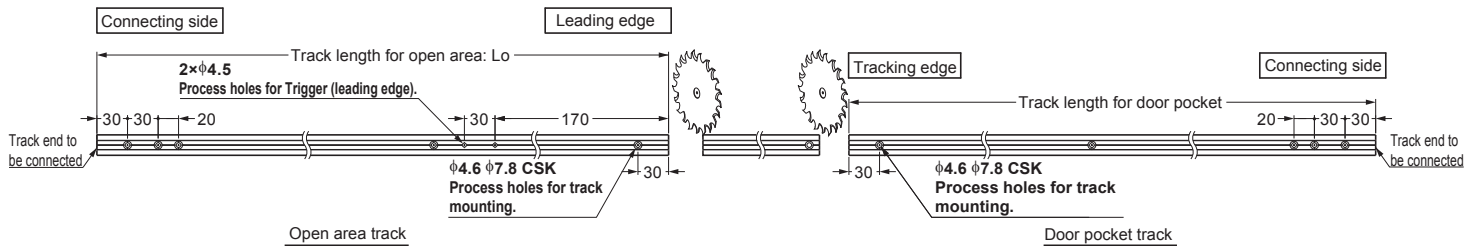
Do not cut the track on the side with three holes.



When using 860mm track and 1260mm track (1 ea.)



When cutting from a long track (1860mm, 2760mm, 3960mm)



2 Installing Door Pocket Track

Mount Door pocket track to the upper frame.
Fix it with attached screws.



Remove any dirt or aluminum chips from the track.

The end which has three countersunk holes must face center.

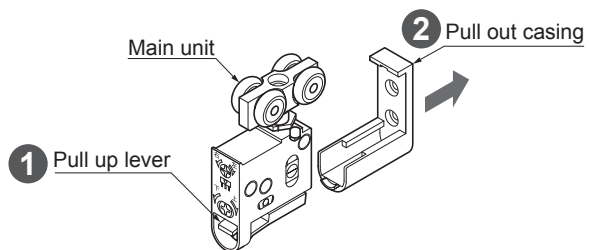
Door pocket track

Attached screws
(Cross recessed countersunk head tapping screws 3.5 × 20)

Assemble the cover panel to the door pocket after mounting the track.

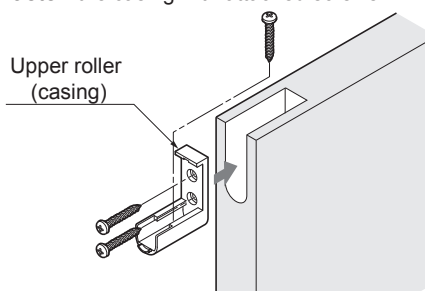
3 Preparation of Mounting Parts

Roller: Separate main unit from casing.

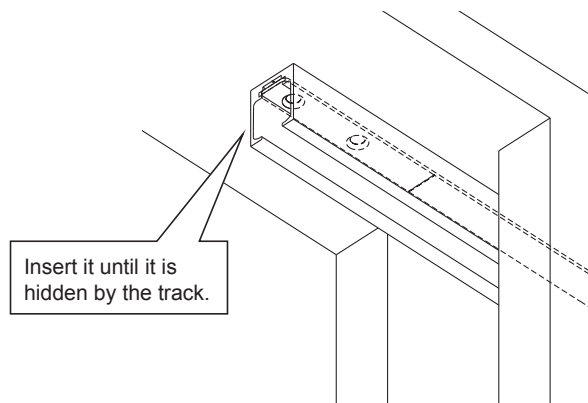
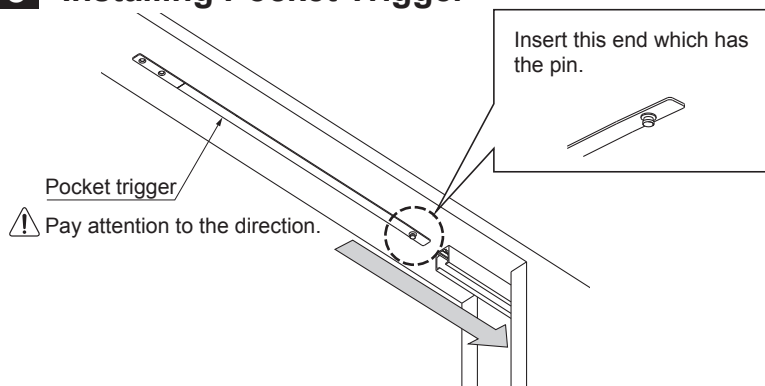


4 Installing Casing

Fasten the casing with attached screws firmly.

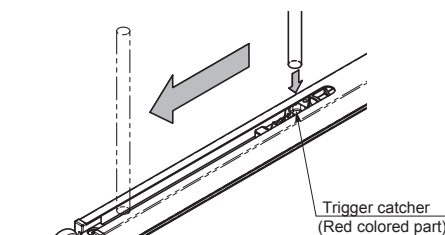
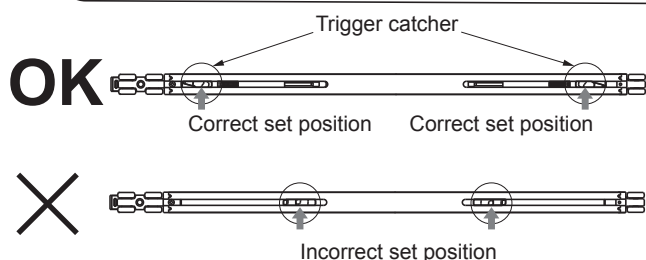


5 Installing Pocket Trigger



6 Verification Before Installing the Soft Closer

Without verification the self closing feature may fail.



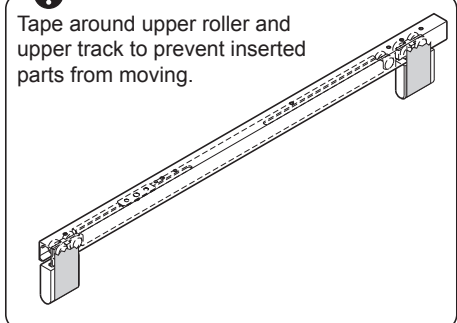
If the position is wrong, pull back the trigger catcher to the correct position using a 6 mm diameter round bar.

7 Inserting Parts into Open Area track

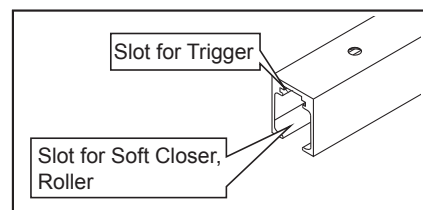
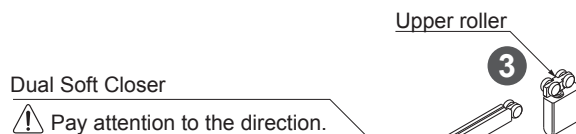
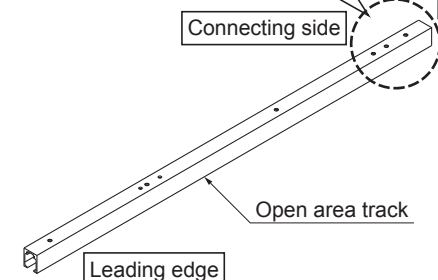
Assemble the parts in order of 1 to 3 with care of direction. You can insert the parts smoothly from the connecting end which has no burr.

1 Remove any dirt or aluminum chips from the track.

2 Tape around upper roller and upper track to prevent inserted parts from moving.



The edge which has three countersunk holes is the end to be connected.



8 Installing Open Area Track

[1] Positioning

Align the track end to the end of the door pocket track.

Pull out the pocket trigger from the door pocket track, and insert it to the open area track.



Remove any dirt or aluminum chips from the track.

The edge which has three countersunk holes is the end to be connected.



Overlap the two countersunk holes on the pocket trigger and the two holes on the open area track.

Insertion of the trigger may be difficult if the tracks are not aligned.



When sliding pocket trigger, use a screwdriver.
Take care not to damage the track when sliding the pocket trigger.
Scratches on the running track may cause a noise of rollers during operation.



[2] Fastening

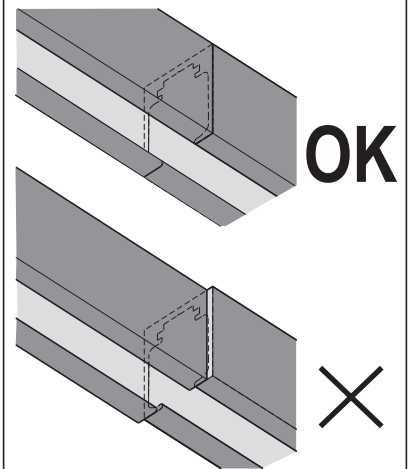
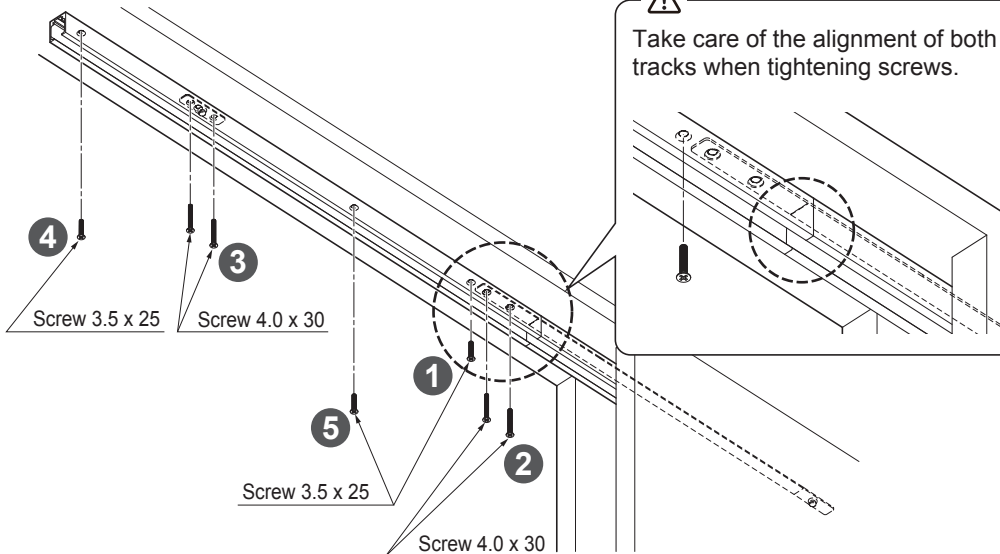
Fasten the open area track and pocket trigger with provided screws in order of ① to ⑤.
Move rollers if they cover the fastening holes on the track.



Take care of the alignment of both tracks when tightening screws.



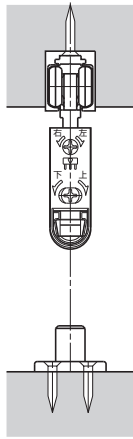
Be careful not to misalign the tracks. Tighten the screws firmly.



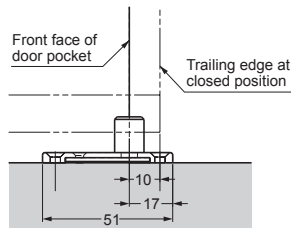
After fixing the track, move rollers and check if there is any misalignment or gap between the tracks.

9 Installing Floor Guide

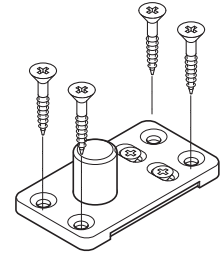
Position floor guide just below the center of upper track.



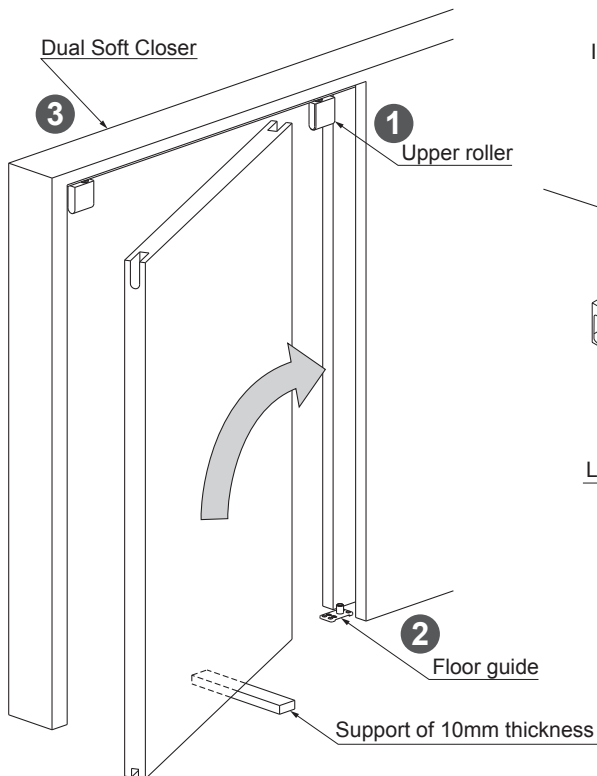
The figure shows the position of the model which has margin.



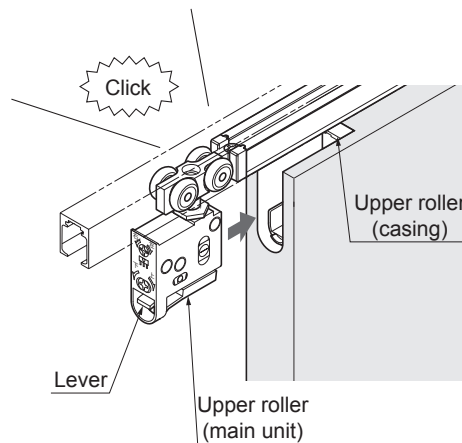
Fasten the four countersunk holes with provided screws.



10 Hanging Door

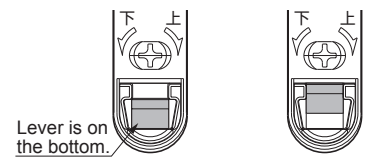


Insert the roller until a click sound is heard.



OK

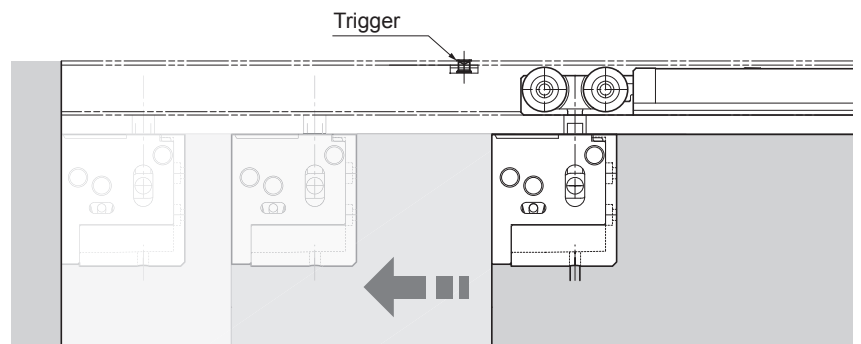
X



Confirm that upper roller main unit is not dislocated from casing, for both door head and door tail sides.

11 Verification of Sliding Door Closer Operation

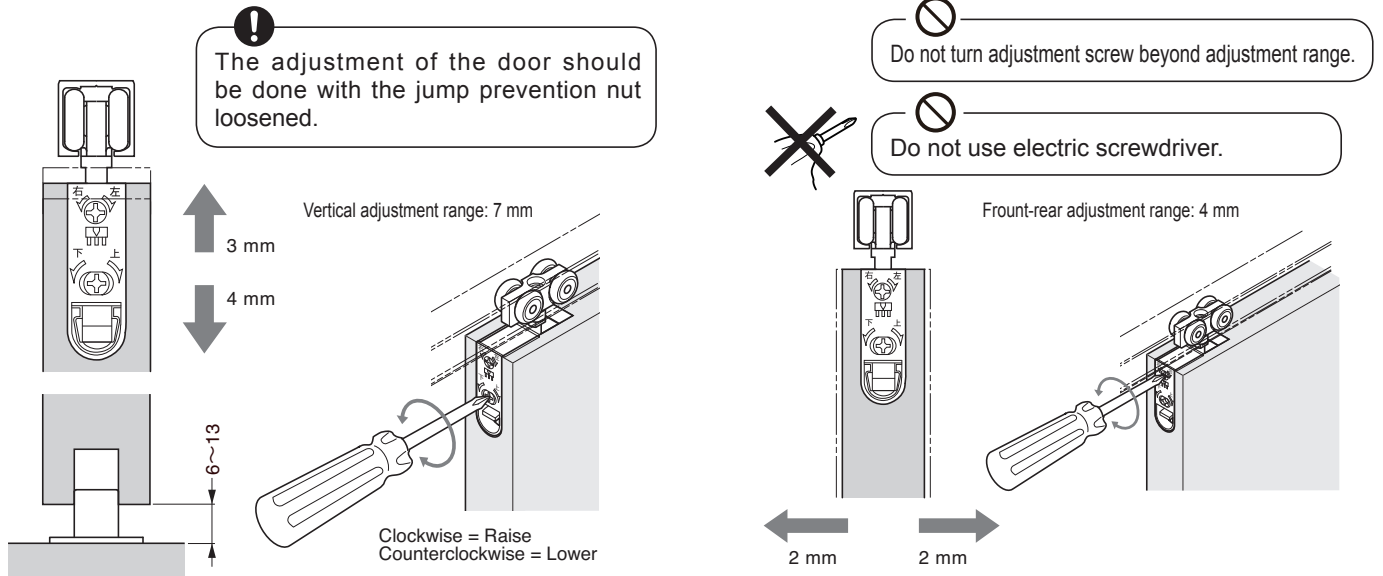
- (1) Remove the 10 mm support from under the door.
- (2) Close the door slowly and check that the soft closer works correctly.
The soft closer is engaged approximately 100 mm at the leading edge (or 50 mm at trailing edge) before the door reaches its final position.
- (3) Please refer to the "Troubleshooting" section when the soft closer does not work correctly.



Do not close the door with excessive force. It may cause damage to the soft close mechanism.

12 Adjusting Door Position

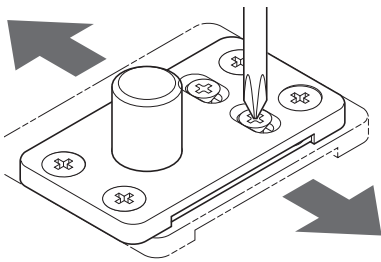
Adjust door parallel to upper track with 6-13 mm clearance between door and floor.



13 Adjusting Floor Guide (Adjustment range : 4 mm)

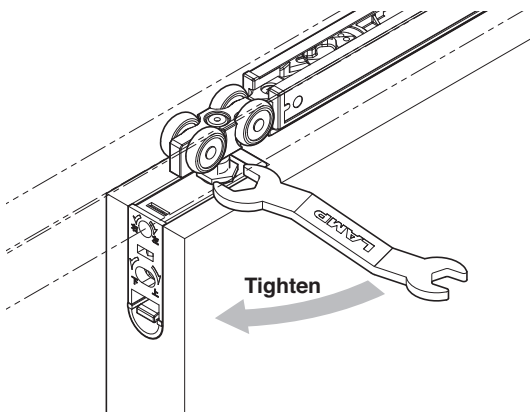
Slowly close and open the door.

If the door does not move smoothly, it is necessary to make a forward / backward adjustment for floor guide and door.



14 Fastening the Jump Prevention Nut

The jump prevention nut is on the hanger bolt of the recessed roller. Tighten the nut with the provided spanner until it contacts the soft closer.



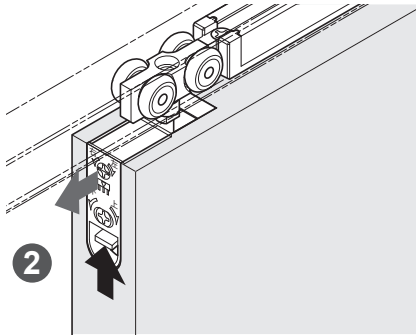
! **Caution**
Be sure to tighten the nut to prevent damaging parts.

Final confirmation Confirm that all screws are securely tightened. And, confirm that all screws are used without mistake.

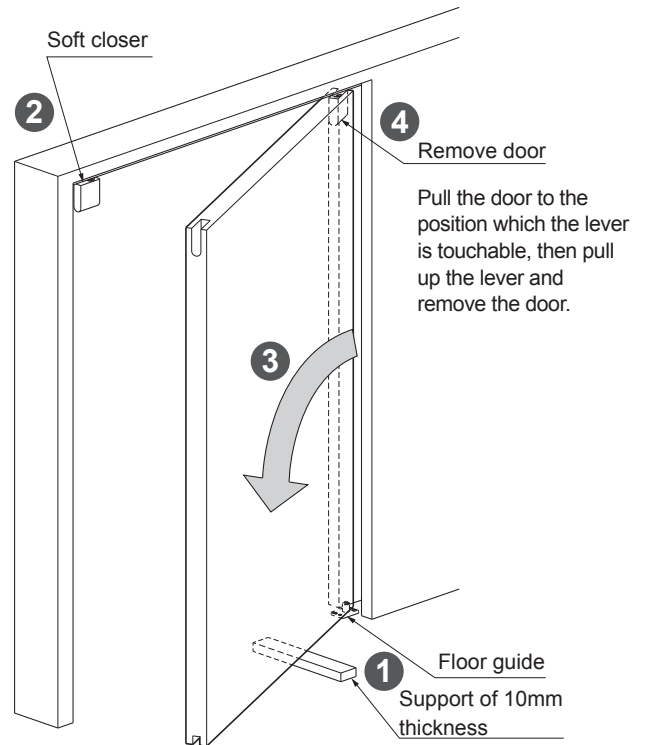
Supplement 1 How to Remove Door, Track

[1] How to remove door

- ① Put a support of 10mm thickness under the door.
- ② Pull out the roller (main unit) from the casing, while pushing the lever on the roller.
- ③ Pull out the door, while taking care not to scratch with the door pocket.
- ④ Pull out the roller on the trailing edge from the casing.



⚠ Be careful not to let the door fall.

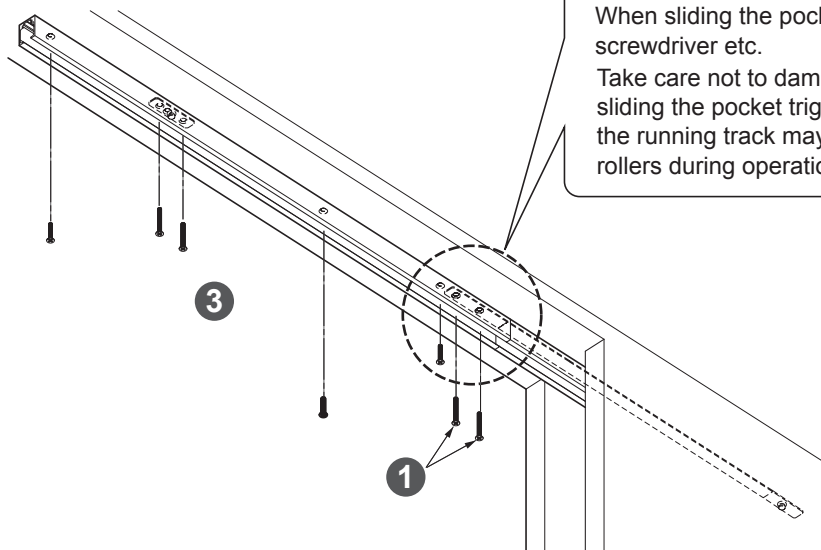
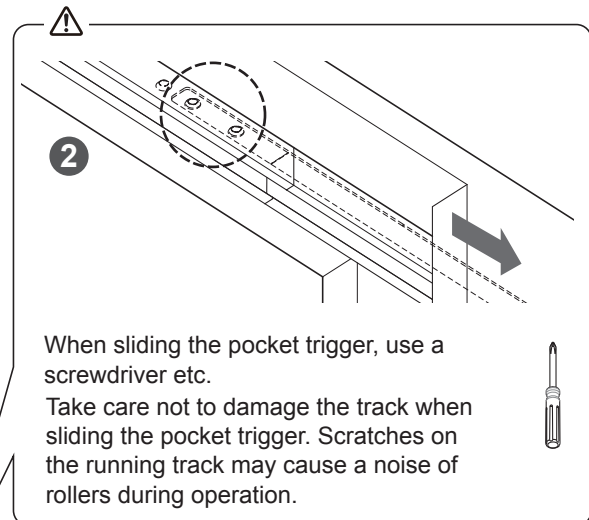


[2] How to remove Upper track

- ① Remove the screws on the pocket trigger.
- ② Slide the pocket trigger into the door pocket track.
- ③ Remove the open area track.

⚠ The trigger can be deformed if the open area track is removed without the pocket trigger installed into the pocket track.

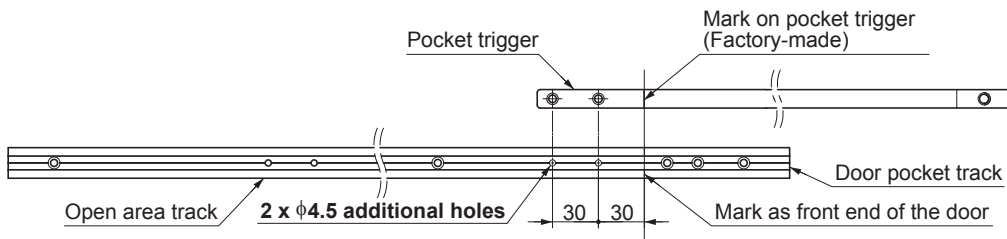
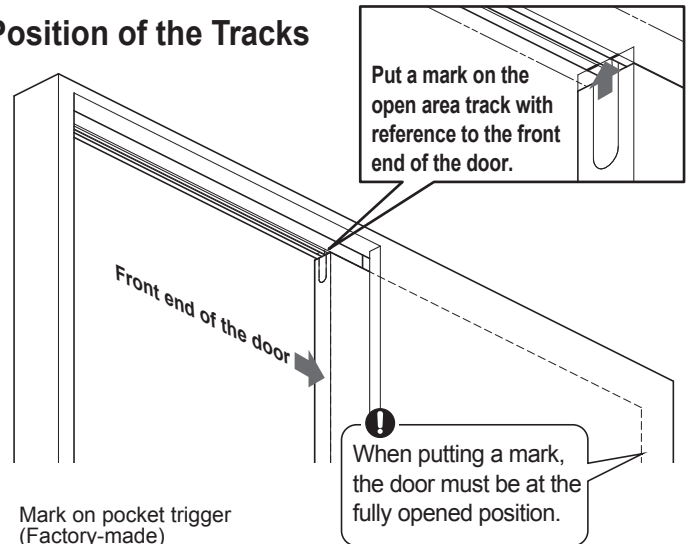
Hold the open area track when removing the last screw.



Supplement 2 How to Shift The Connecting Position of the Tracks

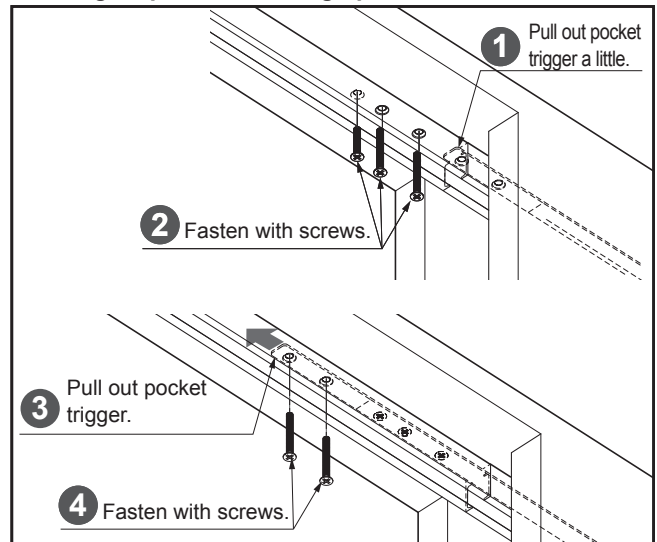
[1] When determining trigger position on site

- (1) Put a mark on the open area track with reference to the front end of the door at full opened position.
(We recommend to put the mark on masking tape.)
- (2) Drill additional holes for pocket trigger.
Remove the door according to the procedure - **Supplement 1**: How to remove door, then remove the open area track.
 - Drill additional holes for trigger on the open area track.
(See the drawing below.)



- (3) Fixing open area track
Follow the below right figure, since the working sequence is different from the regular process.
- (4) Hanging door
Refer to the procedure [2] and the following procedures on page 3.

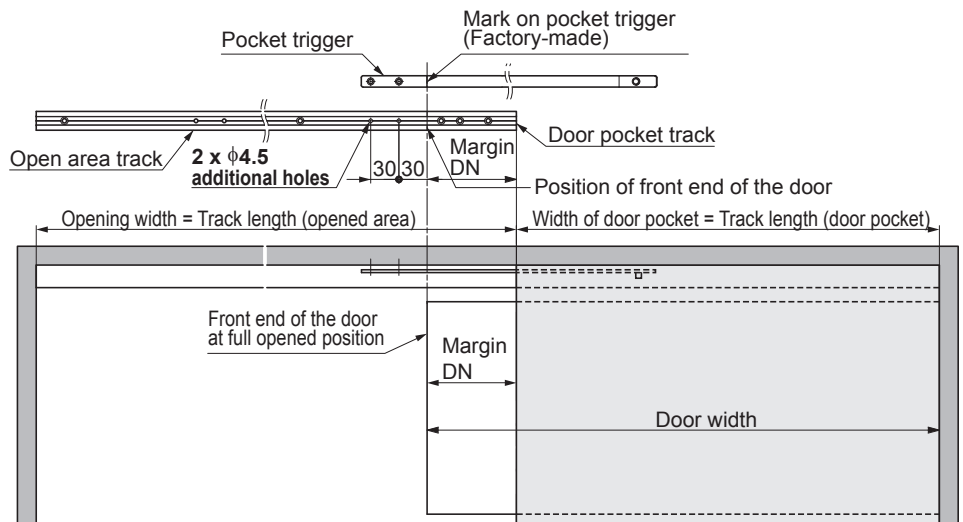
Working sequence for fixing open area track



[2] How to process holes for pocket trigger in advance

[Example] Door pocket track with length equal to the width of the door pocket.

- (1) Drill holes for the pocket trigger according to the below drawing.
- (2) Fix the open area track, while following the above right figure, since the working sequence is different from the regular process.



Final verification Verify that all screws are securely tightened, and verify that all screws have been used.

PERIODICAL INSPECTION	<ul style="list-style-type: none"> · Clean inside of track. · Check upper and lower gaps between the door and frame. If necessary, adjust the gaps.
------------------------------	---

■ TROUBLESHOOTING

Trouble	Checkpoint	Solution
Door stops during soft closing	Check if door bottom contacts with floor.	Verify that the track fixing screws are not loosened. Then, adjust the door height such that the clearance between the door bottom and floor is 6 - 13 mm.
	Check if upper track is set horizontally.	Using a level gauge, reset upper track horizontally.
	Check if mohair seal is installed.	Reduce the friction between mohair and door.
No soft closing	Check if trigger is installed.	Install trigger to correct position.
	Check if door is closed by excessive force.	Do not close door by excessive force as it may damage soft closer.
	The position of the trigger catcher may become dislocated (See section 6 .)	Slowly move the door toward the leading edge, then push the door firmly. Repeat this action on the opposite side as well. If it is still not improved, check the status of the trigger catcher in section 6 .
Abnormal noise during operation	Check if door bottom contacts with floor.	Verify that the track fixing screws are not loosened. Then, adjust the door height such that the clearance between the door bottom and floor is 6 - 13 mm.
	Check if door touches adjacent parts.	Correct door position to avoid contact with adjacent objects. Adjust position of the floor guide.
	Check track rollers for aluminum dust.	Remove the track and pull out the roller. Then, clean the roller.
	Check for loose screws retaining the upper track.	Tighten the screw.
Heavy door operation	Check if door bottom contacts with floor.	Verify that the track fixing screws are not loosened. Then, adjust the door height such that the clearance between the door bottom and floor is 6 - 13 mm.
	Check if door touches adjacent parts.	Correct door position to avoid contact with adjacent objects. Adjust position of the floor guide.
Door does not move.	Check the track retaining screws for looseness.	Retighten screws to free the roller.
Door starts to move.	Check the upper track if it is set horizontally.	Using a level gauge, reset upper track horizontally.
Door stops or caught during operation.	Check if any gap or misalignment between the tracks.	Correct the misalignment or gap.

SUGATSUNE KOGYO CO.,LTD
Tokyo, JAPAN

Phone: +81 (0)3 3866 2260 E-mail:export@sugatsune.co.jp

SUGATSUNE KOGYO (UK) LTD

Reading, UK
Phone: +44 118 9272 955 E-mail:sales@sugatsune.co.uk

SUGATSUNE EUROPE GmbH
Düsseldorf, GERMANY

Phone: +49 211 53812900 E-mail:sales@sugatsune.eu

SUGATSUNE SHANGHAI Co., LTD
Shanghai, CHINA

Phone: +86 21 3632 1858 E-mail:lamp@sugatsune.com.cn

Guangzhou, CHINA

Phone: +86 20 6639 3552 E-mail:lamp@sugatsune.com.cn

SUGATSUNE KOGYO INDIA PRIVATE LIMITED
Mumbai, INDIA

Phone: +91 22 28314490/91 E-mail:sales@sugatsune.in

SUGATSUNE AMERICA, INC
California, USA

Phone: +1 310 329 6373 E-mail:sales@sugatsune.com

Chicago, USA

Phone: +1 312 461 1081 E-mail:chicagoshowroom@sugatsune.com.

SUGATSUNE CANADA, INC.

Phone: +1 514 312 5267 E-mail:support@sugatsune.ca

ISO9001(Japan Offices and Sugatsune America) and ISO14001(Chiba Production division and Logistics center), certified.

2019.02 1286-1