

LAMP® FD30EX SLIDING DOOR SYSTEM Installation Manual (Ceiling Mount Type for Pocket Door, with Dual Soft Close)

Part No.FD30EXDHCP-PD

Thank you for using our product. Before installation, please read this manual thoroughly to ensure correct installation. Please keep this manual at hand for future reference.

ABOUT THE PRODUCT

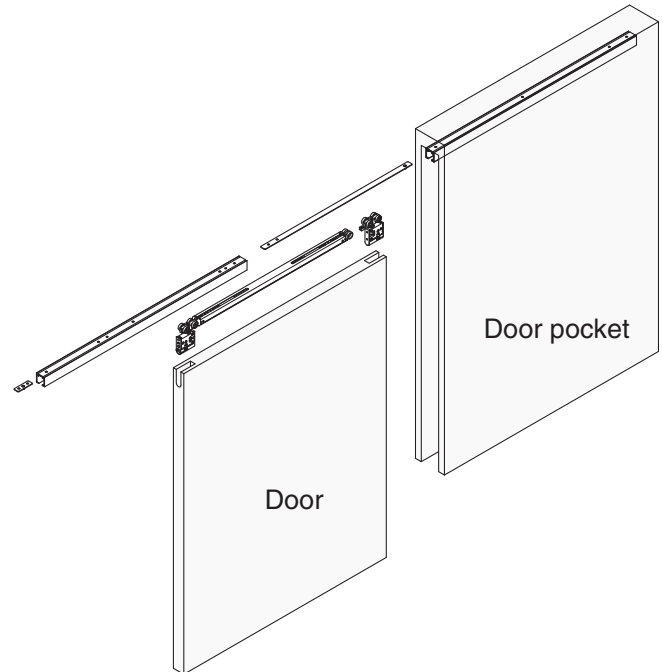
- This is a parts set for a sliding door system for indoor use.
- The door closes in 2 soft motion steps; first slow, then fast, and opens with a 1 step soft motion.
- Two sections of track for easy maintenance after installing.

SPECIFICATIONS

Max. Door height	2400 mm
Door width	590 - 1000 mm
Min. Door thickness	30 mm
Max. Door weight	30 kg/door ※ ¹
Vertical adjustment	4 mm upward 3 mm downward
Depth adjustment	±2 mm

- The closing speed of the soft closing type door may change depending on the ambient temperature, operating method or installation quality.
- Recommended ambient temperature range is 5 to 40 degrees centigrade.

※¹ When using a light weight door, you may feel the resistance of the soft closer when opening the door.







FOR YOUR SAFETY AND CORRECT INSTALLATION







Meaning of symbols

 Warning Caution	 Prohibited	 Required
---	---	---

WARNING: If not followed, death or serious injury may result.

-  This product should be installed by a qualified person in accordance with this manual. If it is not installed correctly, the door may fall and cause injury.
-  Provide a frame that can withstand the weight and impact of opening and closing the door. Be sure to use the specified screws and tighten them securely. If the mounting strength is insufficient, the door may fall and cause injury.
-  Do not use this product for any other purpose, or with doors that are outside the specifications of this manual.
-  Do not disassemble or modify any parts other than those described in this document.

Caution: If not followed injury or damage may result.

-  Follow the specified dimensions, specifications, and alignment of the door and frame. Warping, tilting or twisting of the frame or door may cause failure.
-  If cutting any parts, make sure to remove any burrs before installation. Also check the upper track for any left-over burrs or scraps and remove these.
-  This product is a part for architectural fittings. After installation, please check the function and safety of the final product. Please inform the end user how to use the product safely.
-  Make sure to check the screws for slack at regular intervals (one month from first usage, half a year, and then one time every year is recommended).
-  When installing the "pocket door", make an "easy-maintenance" structure. For example, use a removable panel.
-  Install the product with two people (in the case of one person, there is a risk of damaging components).

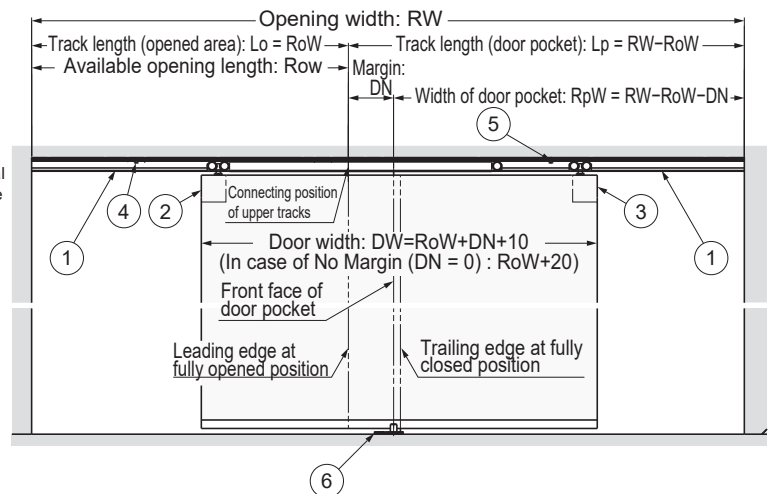
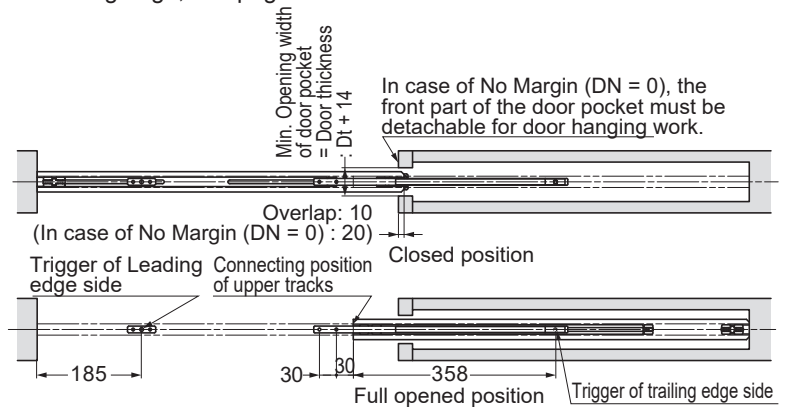
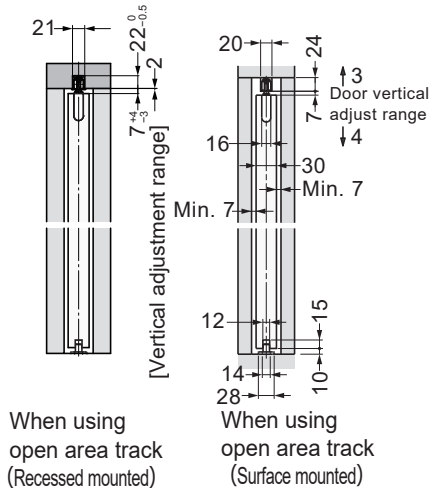
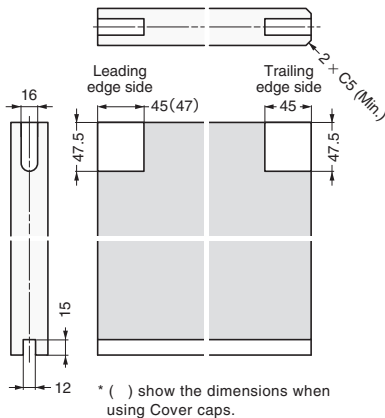
COMPONENT PARTS

No.	①	②	③	④	⑤	⑥	
Name	Open area track (Surface mounted)	Open area track (recessed mount)	Soft closer (two-way)	Upper roller	Front trigger	Pocket trigger	Floor guide
Cord No.	Available with various length and finish	250-043-910	250-020-837	250-029-705	250-029-704	250-017-151	
Part No.	FD30-35EV-TRMP 型	FD30-35EV-TRHP 型	FD30EX-WRH-DSC-A	FD30-WRH-N	FD30-TRGPF	FD30-TRGPB	FD30-HBG
Parts							
Accessories	Countersunk head tapping screws 3.5 × 25 (Q'ty depends on the hole location)	Pan head tapping screws 3.5 × 30 3 ea.	Pan head tapping screws 3.5 × 30 3 ea.	Countersunk head tapping screws 4.0 × 30 2 ea.	Countersunk head tapping screws 4.0 × 30 2 ea.	Countersunk head tapping screws 3.5 × 30 4 ea.	

No.	⑦	⑧
Name	Door guide track	Cover cap
Part No.	FD30-HBRT1500SIL	FD30-WRH-CP
Parts	 Recommended screw: Countersunk head tapping screws 4 × 20	 Thickness: 2 mm

INSTALLATION DRAWING (EXAMPLE)

The example shows the sliding door when the leading edge (at the fully opened position) is aligned with the connecting position of the upper tracks. To shift the connecting position towards the trailing edge, see page 9.



TOOLS REQUIRED FOR INSTALLATION

• Philips head driver #2

• Machine or tool for cutting aluminum alloy

• Drill bit for metal: $\phi 4.5$

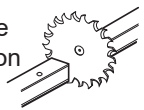
• Drill bit for metal (for $\phi 7.8$ countersunk hole)

INSTALLATION PROCEDURE

1 Cutting track and Hole Drilling on Upper Track

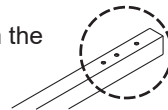
⚠ Caution

❗ When cutting, reinforce the track to prevent deformation at the cut section.

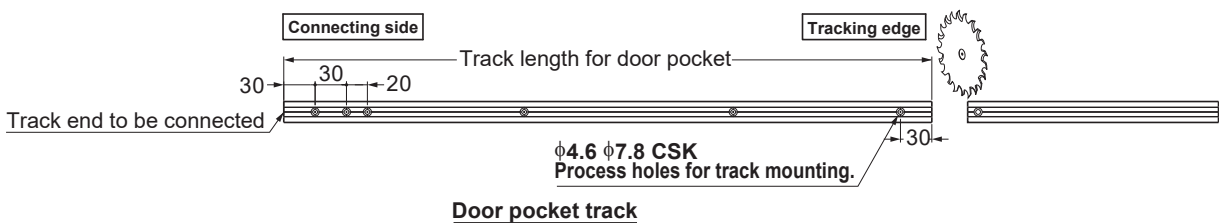
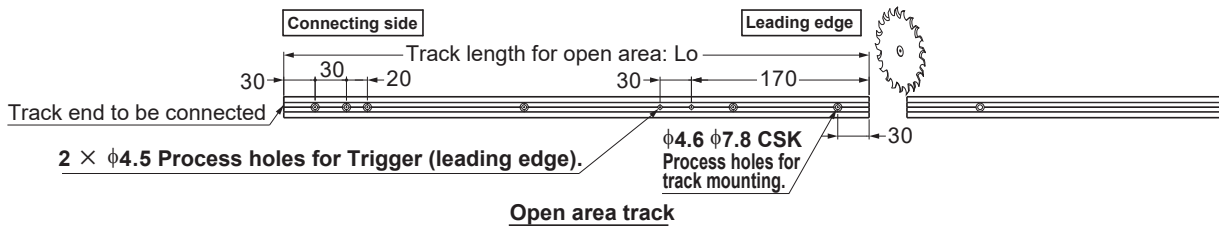


⚠ Caution

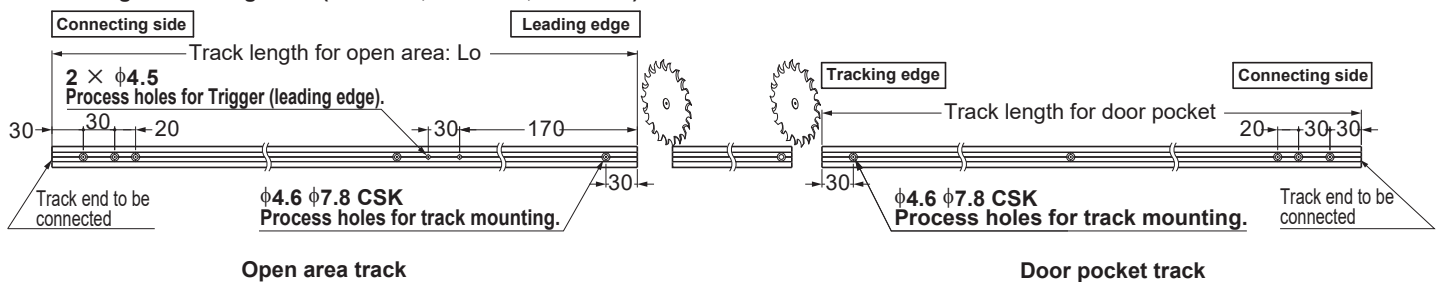
❗ Do not cut the track on the side with three holes.



When using 860 mm track and 1260 mm track (1 ea.)



When cutting from a long track (1860 mm, 2760 mm, 3960 mm)

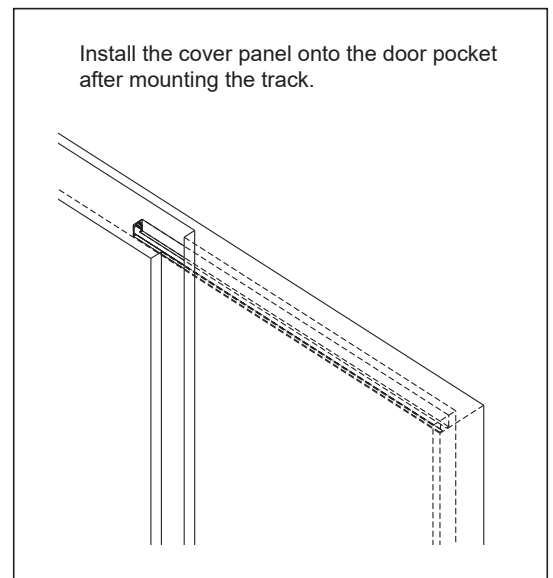
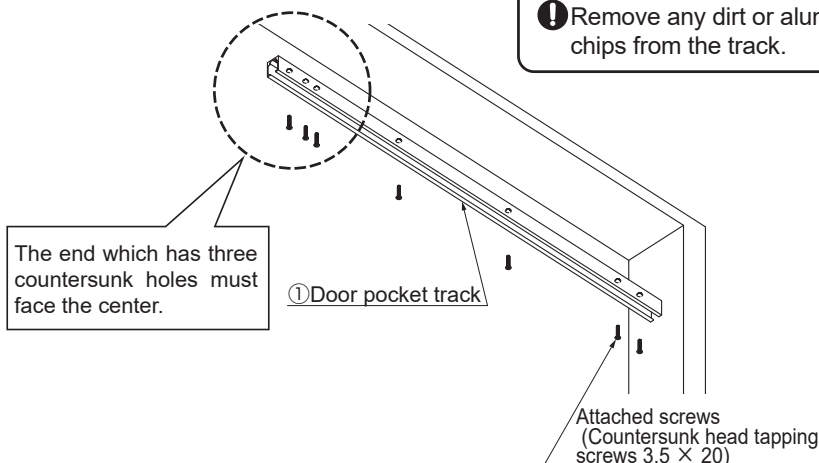


2 Installing Door Pocket Track

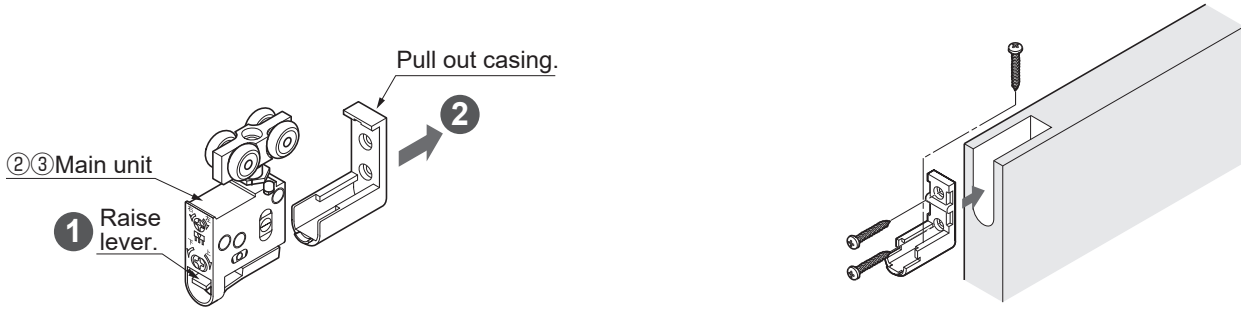
Mount Door pocket track to the upper frame.
Fix it with attached screws.

⚠ Caution

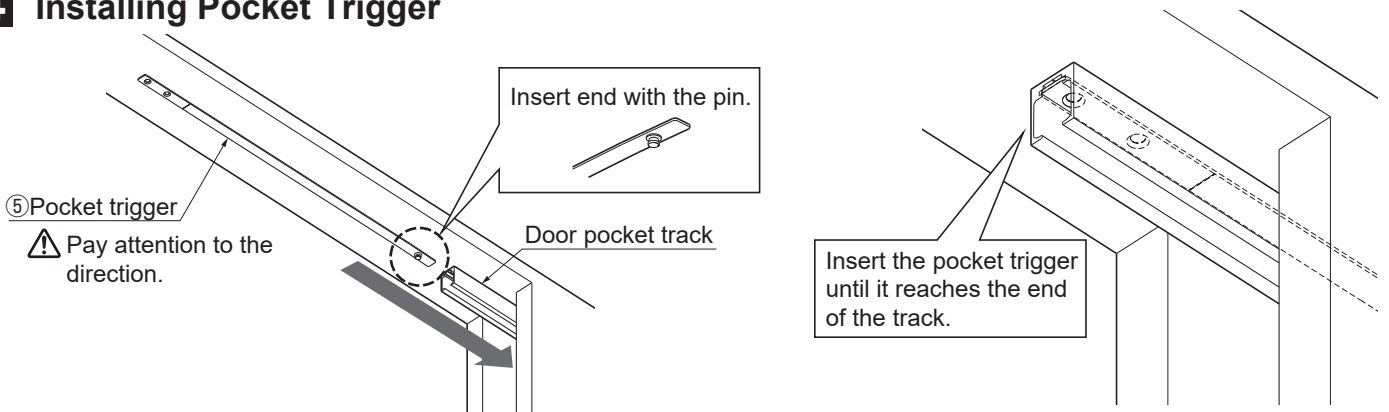
❗ Remove any dirt or aluminum chips from the track.



3 Mounting Parts on Door

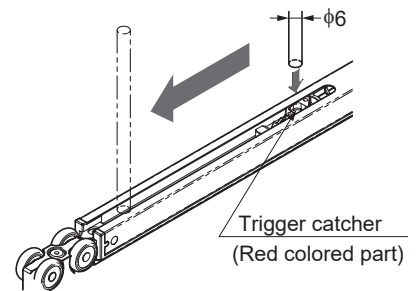
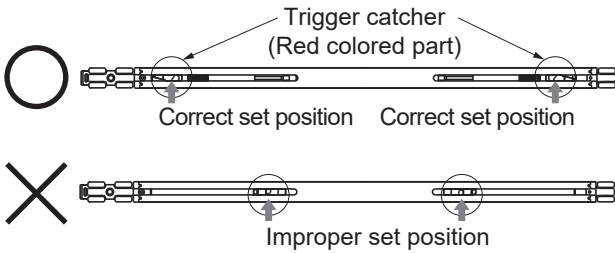


4 Installing Pocket Trigger



5 Verification Before Installing Soft Closer

Caution
 Without verification the self closing feature may fail.

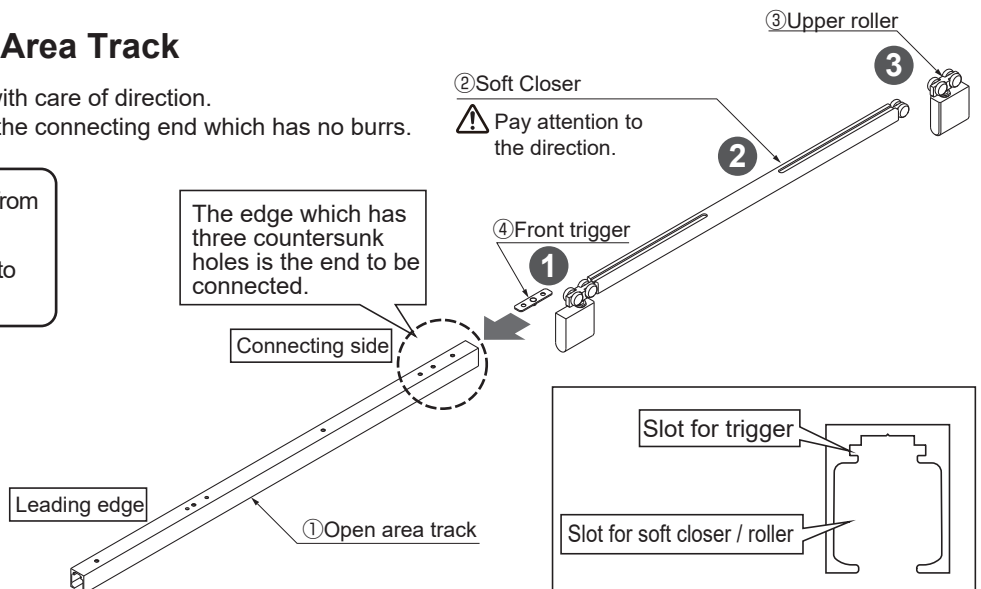


If the trigger position is wrong, pull back the trigger catcher to the correct position using a 6 mm diameter round bar.

6 Inserting Parts into Open Area Track

Insert the parts in order from ① to ③ with care of direction.
 You can insert the parts smoothly from the connecting end which has no burrs.

Caution
 Remove any dirt or aluminum chips from the track.
 Tape around rollers and upper track to prevent inserted parts from falling.



7 Mounting of Open Area Track

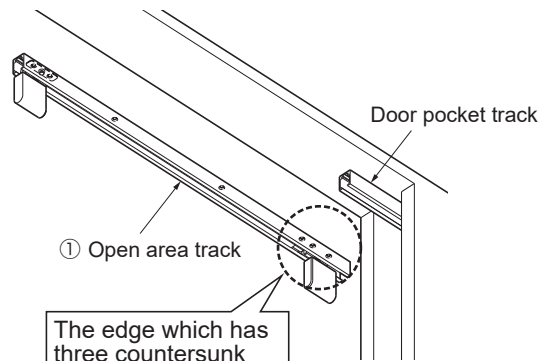
(1) Connecting to door pocket track.

Align the track end to the end of the door pocket track.

Pull out the pocket trigger from the door pocket track, and insert it into the open area track.

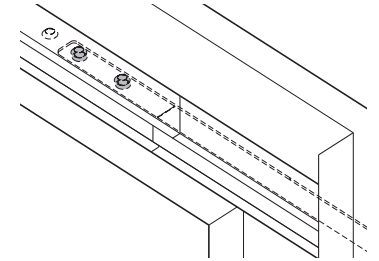
⚠ Caution

❗ Remove any dirt or aluminum chips from the track.



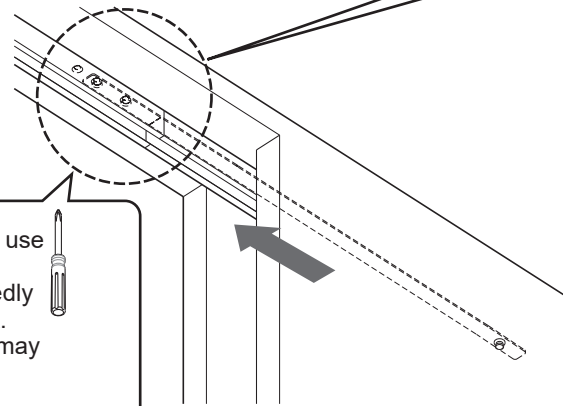
⚠ Caution

❗ Overlap the two countersunk holes on the pocket trigger and the two holes on the open area track. Deviation of the joint position makes insertion of the trigger difficult.



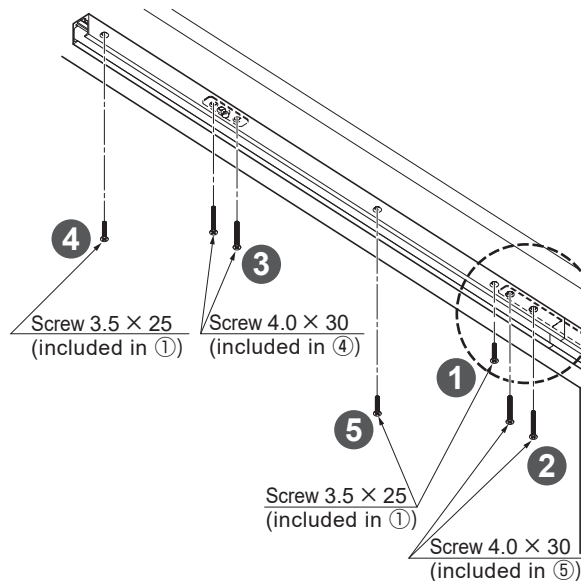
⚠ Caution

❗ When sliding the pocket trigger, use a screwdriver. The screwdriver may unexpectedly come out and damage the track. Scratches on the running track may cause a noise of rollers during operation.



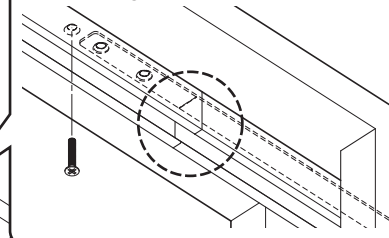
(2) Fastening trigger and track

Fasten the open area track and pocket trigger with provided screws in order of ① to ⑤. Move rollers if they cover the fastening holes on the track.



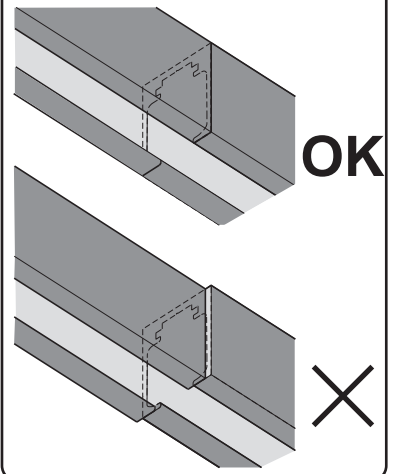
⚠ Caution

❗ When tightening the ① screws make sure that the both tracks are aligned.



⚠ Caution

❗ Be careful not to misalign the tracks. Tighten the screws firmly.

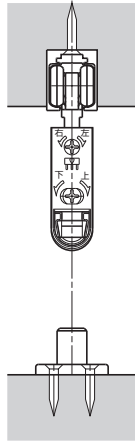


⚠ Caution

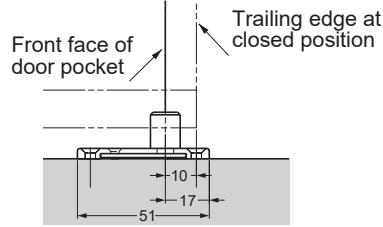
❗ After fixing the track, move rollers and check if there is any misalignment or gap between the tracks.

8 Mounting of Floor Guide

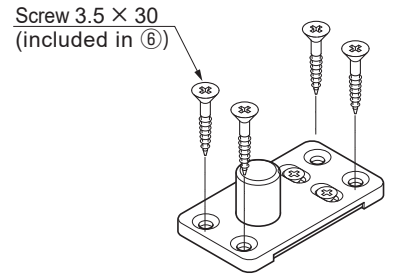
Position the floor guide below the center of the upper track, so that it is covered by the door when it is opened and closed.



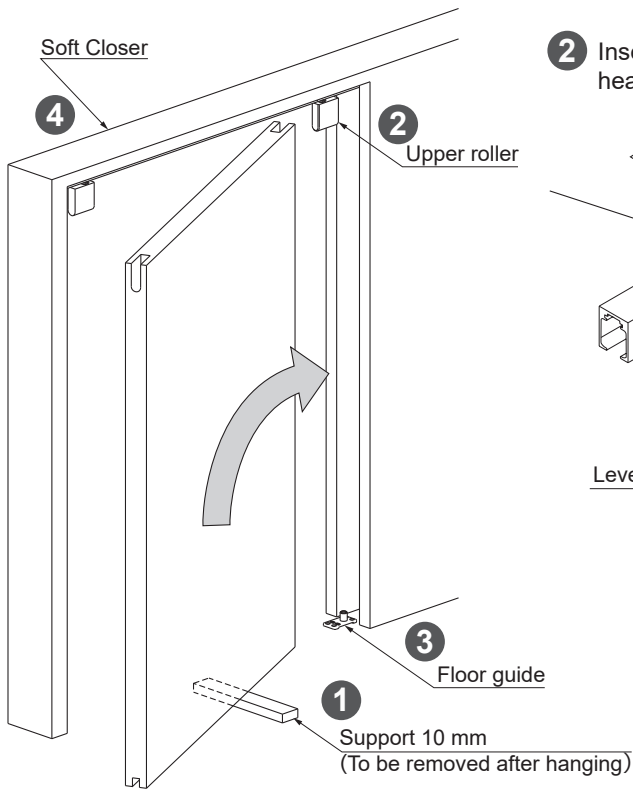
Caution
 The position of the model where the margin occurs is shown in the figure.



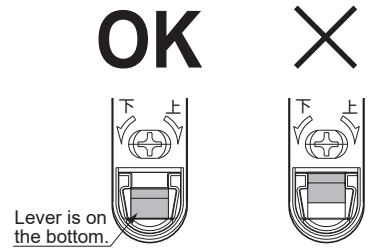
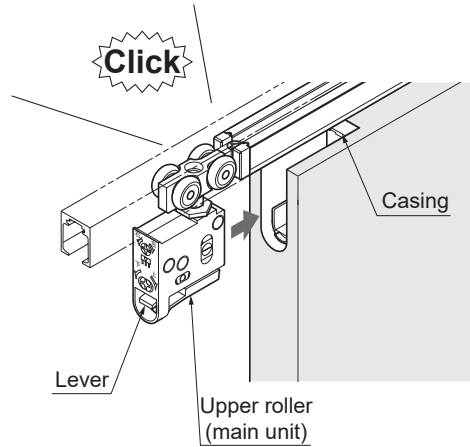
Fasten the four countersunk holes with provided screws.



9 Hanging Door



2 Insert the roller until a click sound is heard.



Caution
 Verify that the main unit is not dislocated from the casing, for either of the door ends.

5 Verification of Soft Closer Operation

Starting point of soft - close.

Leading edge: approx. 100 mm before the stop position.

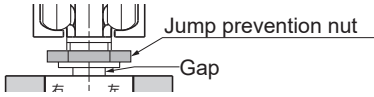
Trailing edge: approx. 50 mm before the stop position.

10 Adjusting The Door Position

Adjust the door so that it is parallel to the upper track with 6 - 13 mm of clearance between the door and floor.

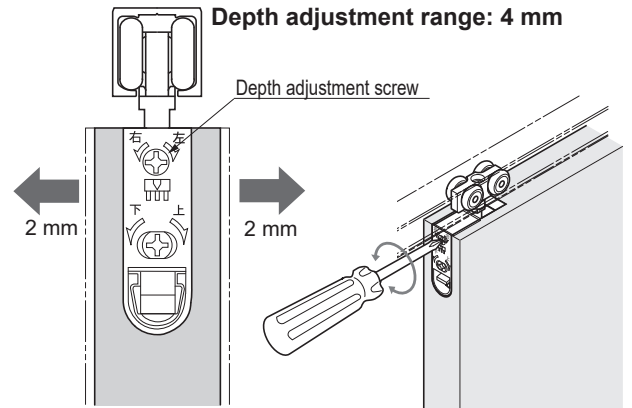
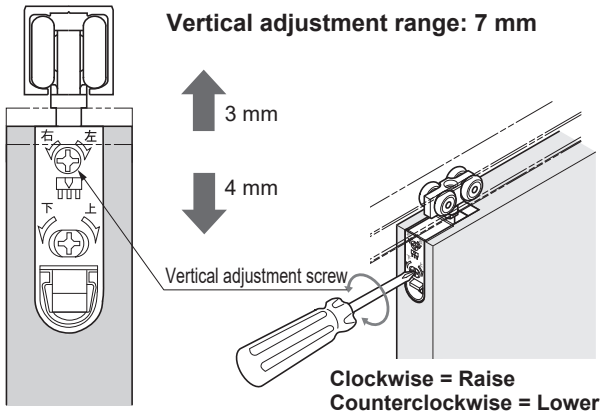
Caution

The adjustment of the door should be done with the jump prevention nut loosened.



Do not turn the adjustment screw beyond adjustment range.

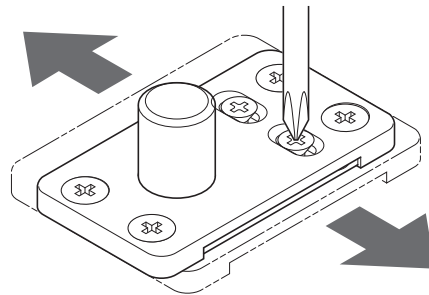
Do not use electric screw driver.



11 Adjusting, Fastening Floor Guide

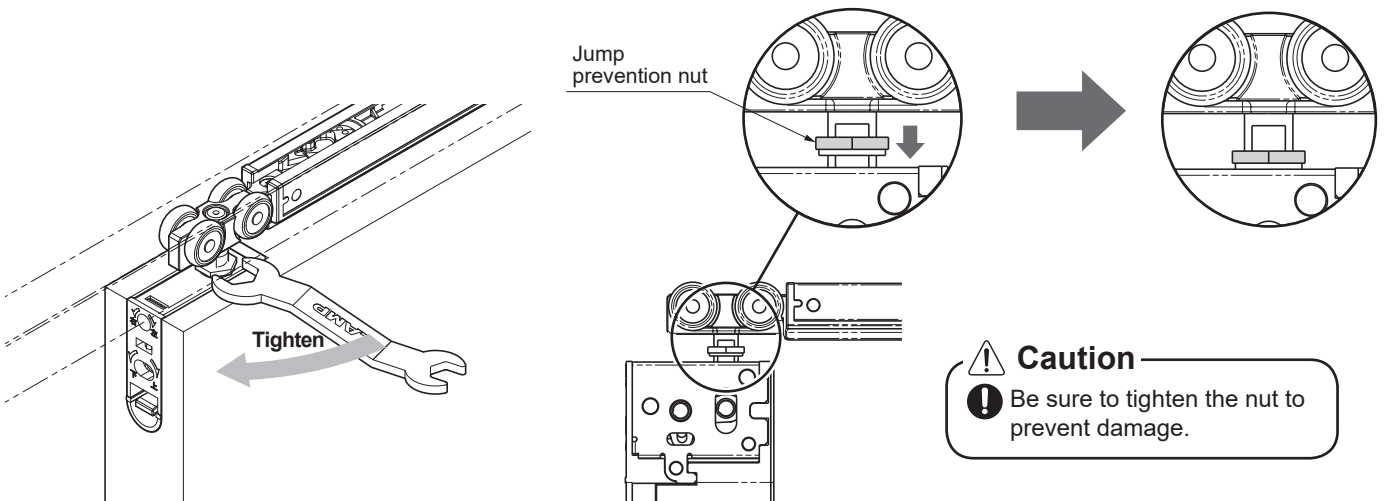
If the door movement is not smooth, remove the door, then adjust the floor guide forwards or backwards.

Adjustment range: ± 2 mm



12 Fastening the Jump Prevention Nut

The jump prevention nut is on the hanger bolt of the Upper roller. Tighten the nut with the provided spanner until it contacts the soft closer.



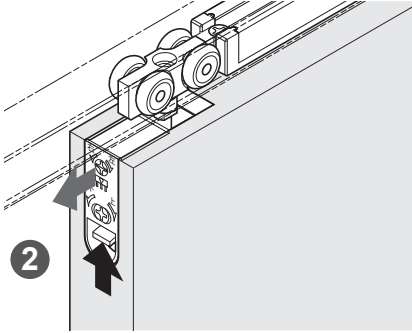
Caution

Be sure to tighten the nut to prevent damage.

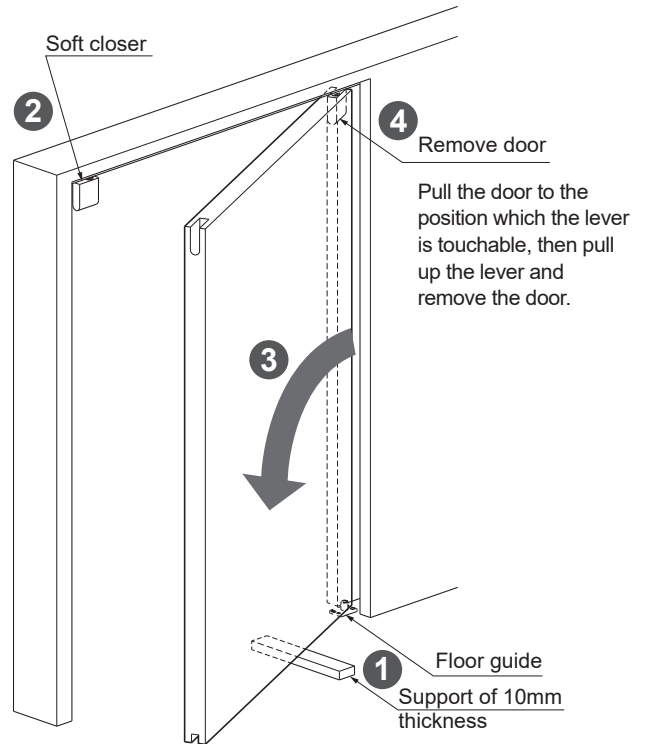
Appendix 1 How to Remove Door, Track

[1] How to remove door

- ① Put a support of 10 mm thickness under the door.
- ② Pull out the leading edge roller (main unit) from the casing, while pushing the lever on the roller.
- ③ Pull out the door, while making sure not to let it scratch against the door pocket.
- ④ Pull out the trailing edge roller from the casing.



Caution
 Be careful not to let the door fall.

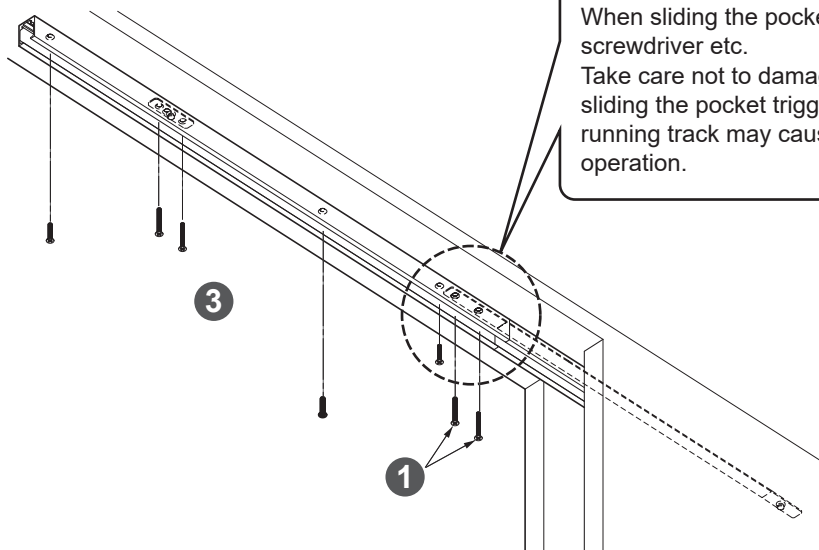


[2] How to remove Upper track

- ① Remove the pocket trigger screws.
- ② Slide the pocket trigger into the door pocket track.
- ③ Remove the open area track.

Caution
 The trigger can be deformed if the open area track is removed if the pocket trigger has not been moved into the pocket track.

Hold the open area track when removing the last screw.



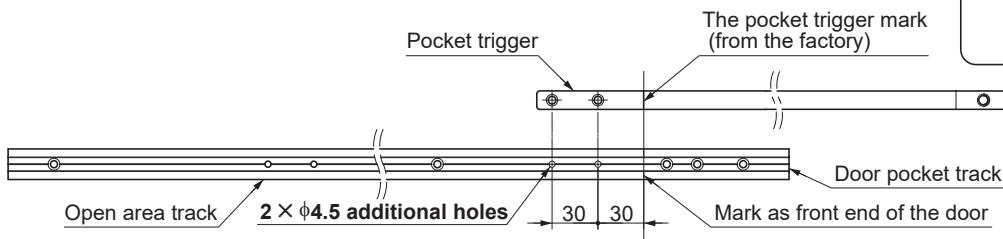
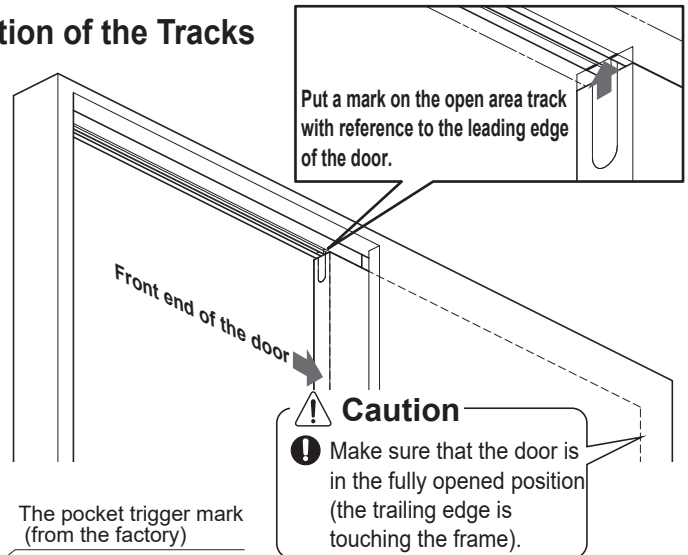
Caution

When sliding the pocket trigger, use a screwdriver etc. Take care not to damage the track when sliding the pocket trigger. Scratches on the running track may cause roller noise during operation.

Appendix 2 How to Shift the Connecting Position of the Tracks

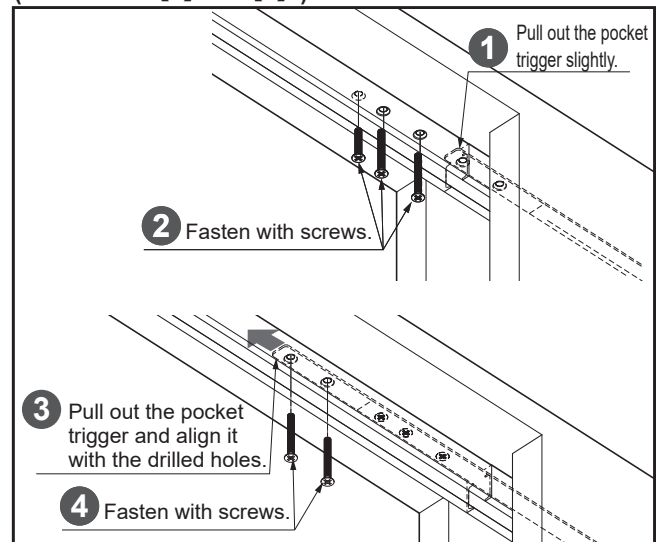
[1] When determining the trigger position on site

- (1) Put a mark on the open area track with reference to the front end of the door at the fully opened position. (Use masking tape so that the track isn't marked)
- (2) Remove the open area track.
Remove the door according to the procedure - **Appendix 1**: How to remove the door, then remove the open area track.
 - Drill additional holes for trigger on the open area track. (See the drawing below.)



- (3) Mounting open area track
Follow the figure to the bottom right, since the working sequence is different from the regular process.
- (4) Hanging the door
Refer to the procedure [2] and the following procedures on page 3.

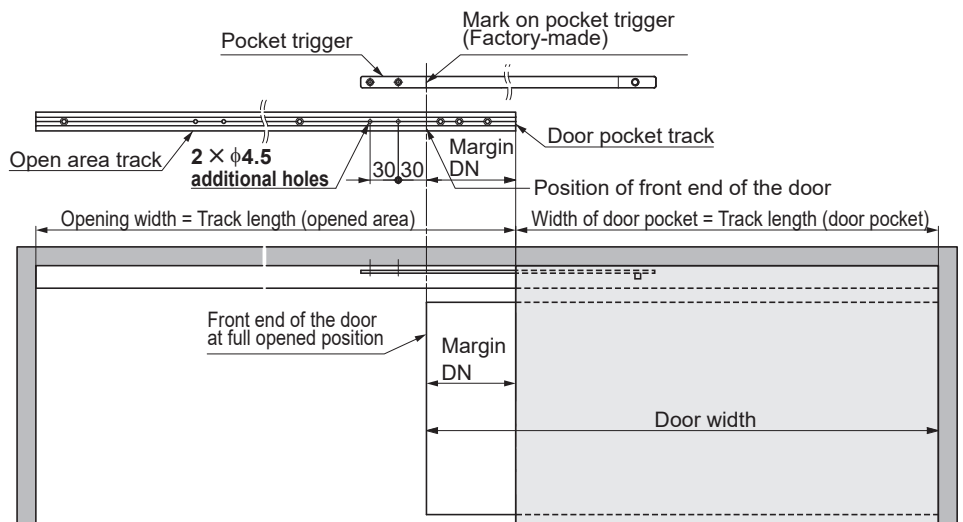
Working sequence for mounting the open area track (common to [1] and [2])



[2] How to process the holes for pocket trigger in advance

[Example] Door pocket track with length equal to the width of the door pocket.

- (1) Drill holes for the pocket trigger according to the drawing below.
- (2) Fix the open area track, while following the above right figure, since the working sequence is different from the regular process.



PERIODICAL INSPECTION

- Clean the inside of the track.
- Check the upper and lower space of the door. If necessary, correct the space.

TROUBLESHOOTING

Trouble	Checkpoint	Solution
Door stops during soft closing	Check if door bottom contacts the floor or floor guide.	Verify that the track fixing screws are not loosened. Then, adjust the door height such that the clearance between the door bottom and floor is 6 - 13 mm.
	Check if the upper track is set horizontally.	Using a level gauge, reset the upper track horizontally.
	Check if mohair seal is installed.	Reduce the friction between the mohair seal and door.
The door doesn't close softly.	Check if trigger is installed.	Install trigger to specified position.
	Check if door is closed by excessive force.	Do not close door by excessive force as it may damage the soft closer.
	The position of trigger catcher in page 4 section 5 may become dislocated.(It is hidden as installed in upper track.)	Remove the door and the upper track, then check the status of the trigger in section 5.
Abnormal noise during operation	Check if door bottom contacts the floor or floor guide.	Verify that the track fixing screws are not loosened. Then, adjust the door height such that the clearance between the door bottom and floor is 6 - 13 mm.
	Check if door touches adjacent parts.	Adjust position of the floor guide.
	Check track rollers for aluminum dust.	Remove the track, then pull out and clean the roller.
	Check the track mounting screws for looseness.	Retighten the screws to free the roller.
Heavy door operation	Check if door bottom contacts the floor or floor guide.	Verify that the track fixing screws are not loosened. Then, adjust the door height such that the clearance between the door bottom and floor is 6 - 13 mm.
	Check if door touches adjacent parts.	Adjust position of the floor guide.
Door does not move.	Check the track retaining screws for looseness.	Retighten screws to free the roller.
Door starts to move.	Check if the upper track is set horizontally.	Using a level gauge, reset the upper track horizontally.
Door stops or caught during operation.	Check if there is any gap or misalignment between the tracks.	Correct the misalignment or gap.

SUGATSUNE KOGYO CO.,LTD

Tokyo, JAPAN

Phone: +81 (0)3 3866 2260 E-mail:export@sugatsune.co.jp

SUGATSUNE KOGYO (UK) LTD

Reading, UK

Phone: +44 118 9272 955 E-mail:sales@sugatsune.co.uk

SUGATSUNE EUROPE GmbH

Düsseldorf, GERMANY

Phone: +49 211 53812900 E-mail:sales@sugatsune.eu

SUGATSUNE SHANGHAI Co., LTD

Shanghai, CHINA

Phone: +86 21 3632 1858 E-mail:lamp@sugatsune.com.cn

Guangzhou, CHINA

Phone: +86 20 6639 3552 E-mail:lamp@sugatsune.com.cn

SUGATSUNE KOGYO INDIA PRIVATE LIMITED

Mumbai, INDIA

Phone: +91 22 28314490/91 E-mail:sales@sugatsune.in

SUGATSUNE AMERICA, INC

California, USA

Phone: +1 310 329 6373 E-mail:sales@sugatsune.com

Chicago, USA

Phone: +1 312 461 1081 E-mail:chicagoshowroom@sugatsune.com.

SUGATSUNE CANADA, INC.

Phone: +1 514 312 5267 E-mail:support@sugatsune.ca

ISO9001(Japan Offices and Sugatsune America) and ISO14001(Chiba Production division and Logistics center), certified.

2021.07 1286-2