

LAMP® FD35EV SLIDING DOOR SYSTEM Installation Manual

Recessed Mount Roller, Two-Way Soft Close

Part No.FD35EVDHCP

Thank you for using our product. Before installation, please read this manual thoroughly to ensure correct installation. Please keep this manual at hand for future reference.

ABOUT THE PRODUCT

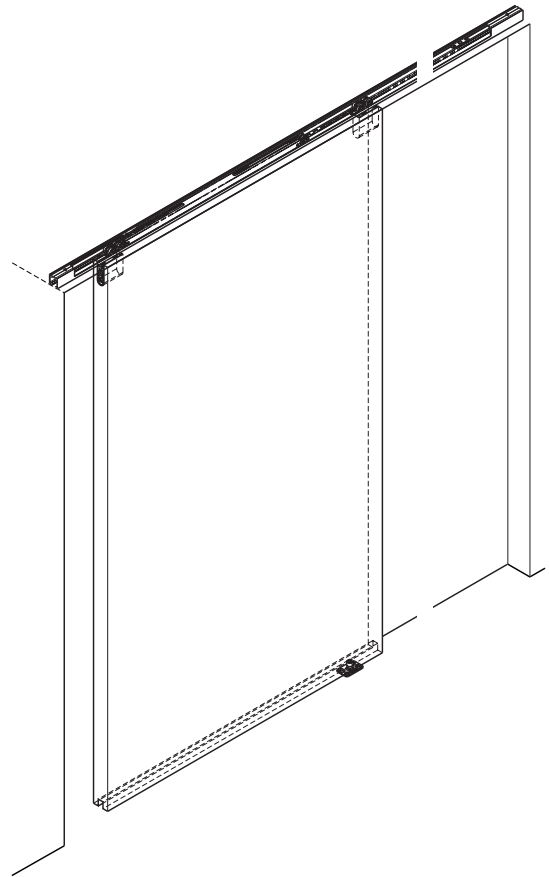
- This is a parts set for a sliding door system for residential & commercial use.
- The door closes in 2 soft motion steps; first slow, then fast, and opens with 1 step soft motion.
- The door can be installed without the use of tools.

SPECIFICATIONS

Door Height	Max.2400 mm	2401 - 2700 mm
Door width	590 - 1200 mm	700 - 1200 mm
Min. Door thickness	24 mm	
Max. Door weight	35 kg ※1 / door	
Vertical adjustment	3 mm upward, 4 mm downward	
Depth adjustment	±2 mm	

- The closing speed of the soft closing type door may change depending on the ambient temperature, operating method or installation quality.
- Recommended ambient temperature range is 5 to 40 °C .

※1 When using a light weight door, you may feel the resistance of the soft closer when opening the door.



FOR YOUR SAFETY AND CORRECT INSTALLATION

Meaning of symbols

 Warning Caution	 Prohibited	 Required
---	---	---

WARNING: If not followed, death or serious injury may result.

- ❗ This product should be installed by a qualified person in accordance with this manual. If it is not installed correctly, the door may fall and cause injury.
- ❗ Provide a frame that can withstand the weight and impact of opening and closing the door. Be sure to use the specified screws and tighten them securely. If the mounting strength is insufficient, the door may fall and cause injury.
- ⊘ Do not use this product for any other purpose, or with doors that are outside the specifications of this manual.
- ⊘ Do not disassemble or modify any parts other than those described in this document.

Caution: If not followed injury or damage may result.

- ❗ Follow the specified dimensions, specifications, and alignment of the door and frame. Warping, tilting or twisting of the frame or door may cause failure.
- ❗ If cutting any parts, make sure to remove any burrs before installation. Also check the upper track for any left-over burrs or scraps and remove these.
- ❗ This product is a part for architectural fittings. After installation, please check the function and safety of the final product. Please inform the end user how to use the product safely.
- ❗ Make sure to check the screws for slack at regular intervals (one month from first usage, half a year, and then one time every year is recommended).

COMPONENT PARTS

This describes installation of a single sliding door.

No.	①		②		③	④	⑤
Name	Upper track for soft-closing (surface mount)	Upper track for soft-closing (recessed mount)	Upper track for standard sliding (surface mount)	Upper track for standard sliding (recessed mount)	Soft closer (two-way)	Trigger, Jig	Upper roller
Item No.	FD35EV-TRM-SC	FD35EV-TRH-SC	FD35EV-TRM	FD35EV-TRH	FD35EV-WRH-DSC	FD35EV-TRG FD35EV-TRJ	FD35EV-WRH-N
Item							
Accessories	Hole pitch : 300 mm Pitch end : 30 mm Recommended screw: Countersunk head tapping screw 3.5x25 Use the track for standard sliding for inline sliding		Hole pitch : 300 mm Pitch end : 30 mm Recommended screw: Countersunk head tapping screw 3.5x25		Flat head tapping screw 3.8 x 40 3 pcs	Countersunk head tapping screw 4 x 30 2 pcs	Flat head tapping screw 3.8 x 40 3 pcs
Single sliding	either one		-		1 pc	1 pc	1 pc
Double sliding	either one		-		2 pcs	2 pcs	2 pcs
In line sliding	-		either one		2 pcs	2 pcs	2 pcs

No.	⑥	⑦	⑧	OPTIONAL PARTS	⑨	⑩	⑪	⑫
Name	Floor guide	Bumper block	Trigger		Door guide track	Cover cap	Door stopper	Spanner wrench
Item No.	FD50-BGR18	FD35EV-HBB	FD35EV-TRG		FD30-HBRT1500SIL	FD50-WRH-CP	FD30-HTKY	FD30-FSP
Item	 Countersunk head tapping screw 4 x 20 4 pcs				 Hole pitch : 250 mm Pitch end : 30 mm Recommended screw: Countersunk head tapping screw 4 x 20	 Thickness: 2 mm	 Bind head tapping screw 4 x 30 3 pcs	
Single sliding	1 pc	-	-		(1 pc)	(2 pcs)	-	-
Double sliding	2 pcs	-	-	(2 pcs)	(4 pcs)	-	-	
In line sliding	2 pcs	1 pc	2 pcs	(2 pcs)	(4 pcs)	-	-	

INSTALLATION PROCEDURE

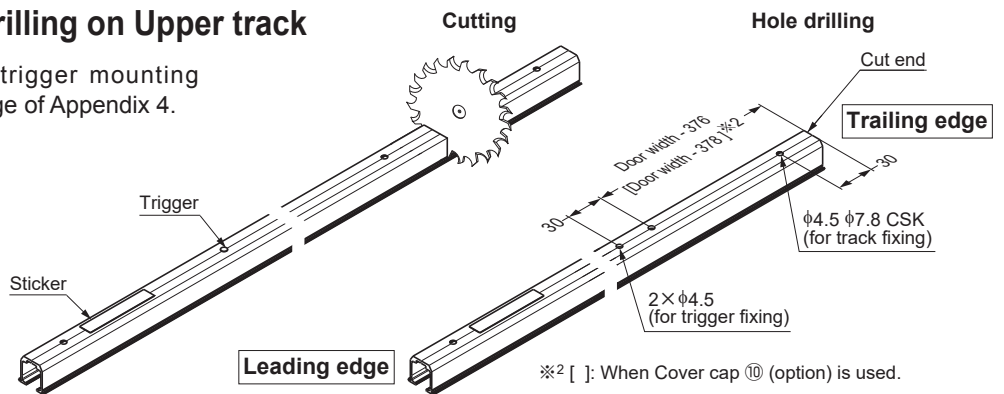
(In this manual, a single sliding door is used as an example.)

1 Cutting Track and Hole Drilling on Upper track

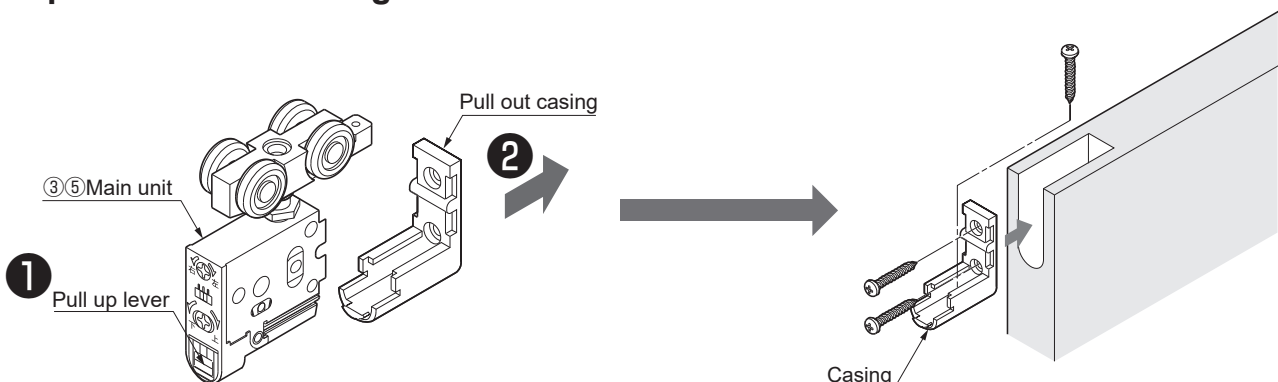
The method of calculating the trigger mounting position is described on the last page of Appendix 4.

CAUTION
Do not cut trigger side (with sticker) of upper track.

CAUTION
When cutting, reinforce the track to prevent deformation at the cut section.



2 Preparation of Mounting Parts



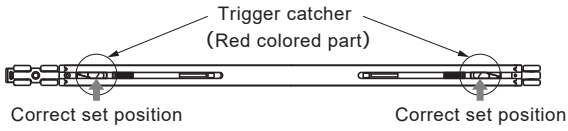
3 Verification Before Installing Soft Closer

CAUTION
Without verification the self closing feature may fail.

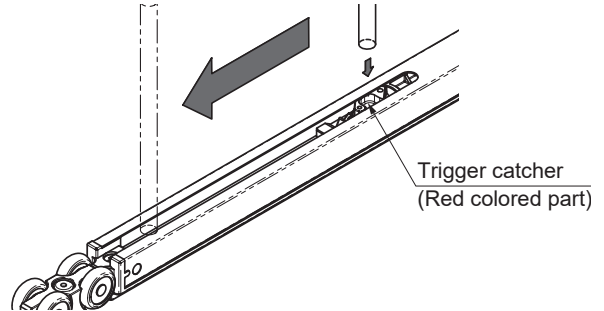
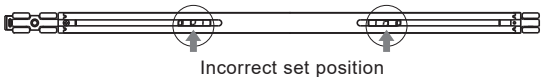


If the trigger position is wrong, pull back the trigger catcher to the correct position using a 6 mm diameter round bar.

OK



X

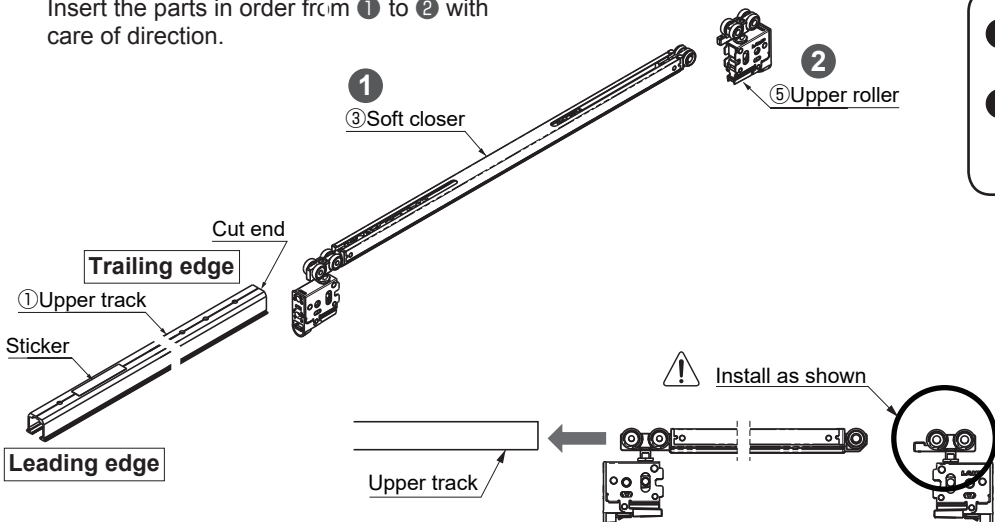


4 Inserting Parts into Upper Track

Insert the parts in order from ① to ② with care of direction.

CAUTION

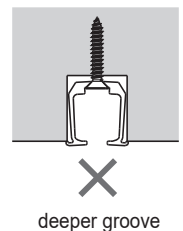
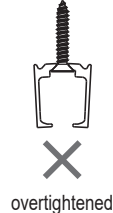
- ❗ Remove any dirt or aluminum chips from the track.
- ❗ Tape around rollers and upper track to prevent the inserted parts from falling.



5 Mounting of Upper Track

(Recommended screw: Countersunk head tapping screw 3.5x25)

- CAUTION**
- ❗ Be careful not to overtighten the screws and screw heads protruding on upper track.
 - ⊘ It may cause deformation of track or damage of soft closer.



6 Fastening of Trigger

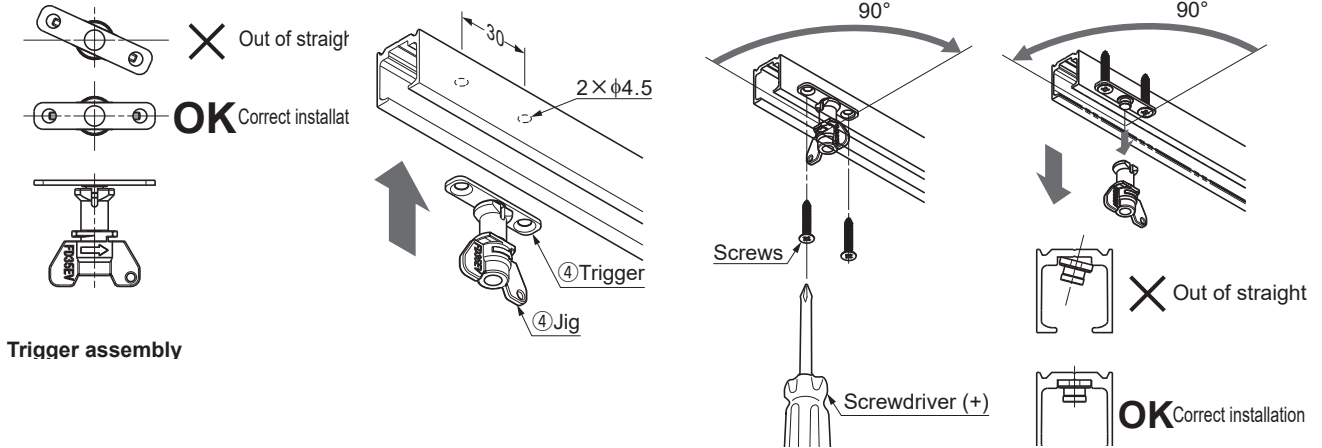
Fasten trigger to the hole made during procedure **1** with provided screws.
The jig makes it easy to install the trigger.

1 Assemble trigger to jig.

2 Align trigger with the holes.

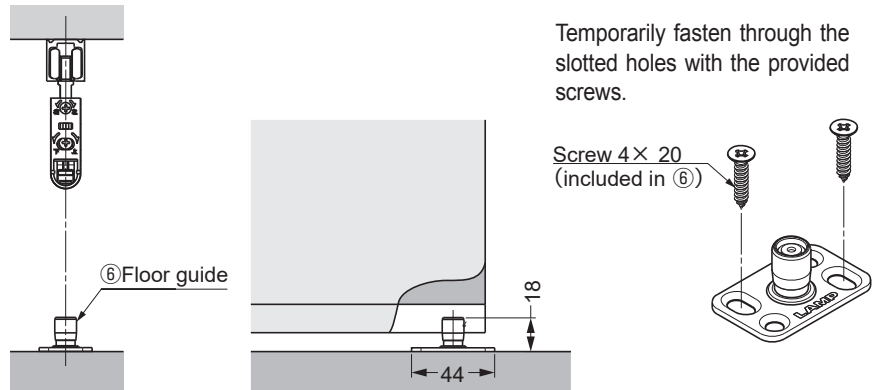
3 Turn the jig 90° and fix the trigger.

4 Remove the jig.



7 Mounting of Floor Guide Temporarily

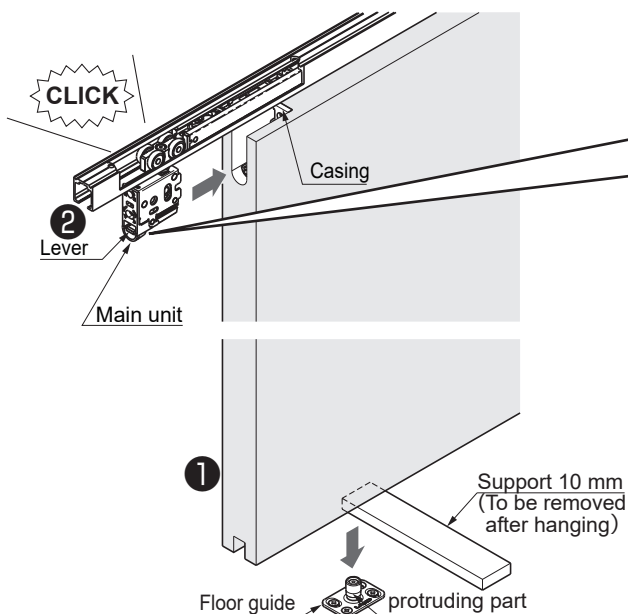
Position the floor guide below the center of the upper track, so that it is covered by the door when it is opened and closed.



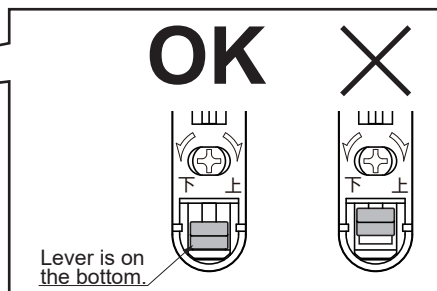
8 Hanging Door

1 Place a 10 mm support under the door.

2 While holding the door, place the groove under the door on the protruding part of the floor guide.



CAUTION
Verify that the main unit is not dislocated from the casing, either of the door ends.



3 Verification of Soft Closer Operation

● Starting point of soft - close.

Leading edge : approx. 100 mm before the stop position.

Trigger edge : approx. 50 mm before the stop position.

9 Adjusting the Door Position

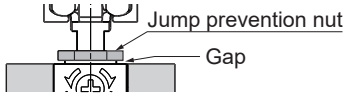
Adjust the door parallel to the upper track with 6 - 13 mm of clearance between the door and floor.

CAUTION

Do not turn the adjustment screw beyond adjustment range.

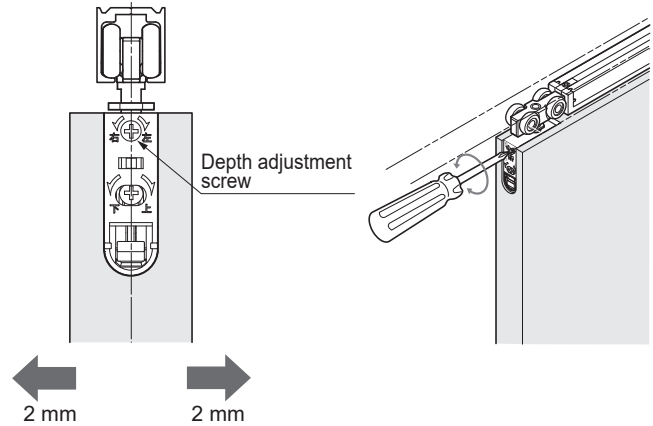
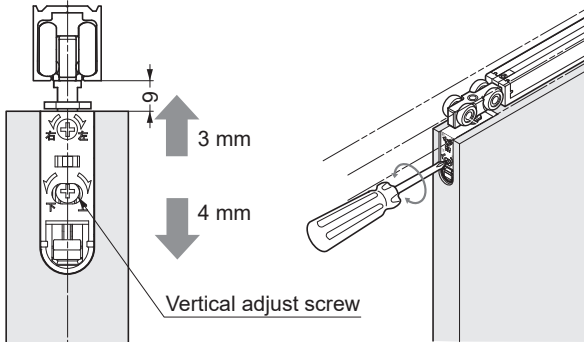
Do not turn adjustment screw beyond adjustment range.

Do not use electric screw driver.



Vertical adjustment range: 7 mm

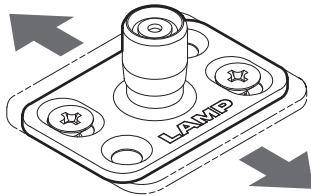
Depth adjustment range: 4 mm



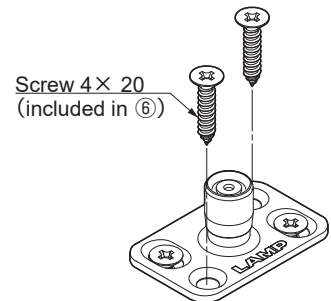
10 Adjusting, Fastening the Floor Guide

If the door movement is not smooth, remove the door, then adjust the floor guide forwards or backwards.

Fasten all 4 screws after the adjustment.

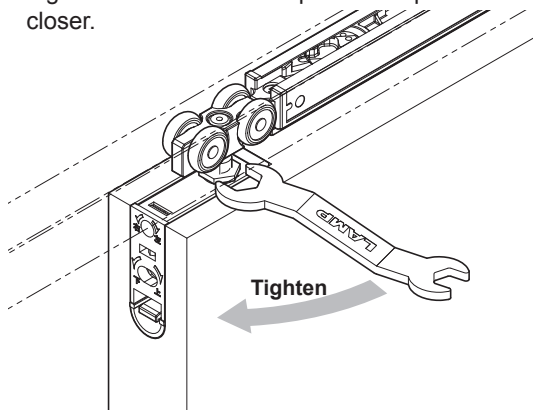


Adjustment range: ± 2 mm

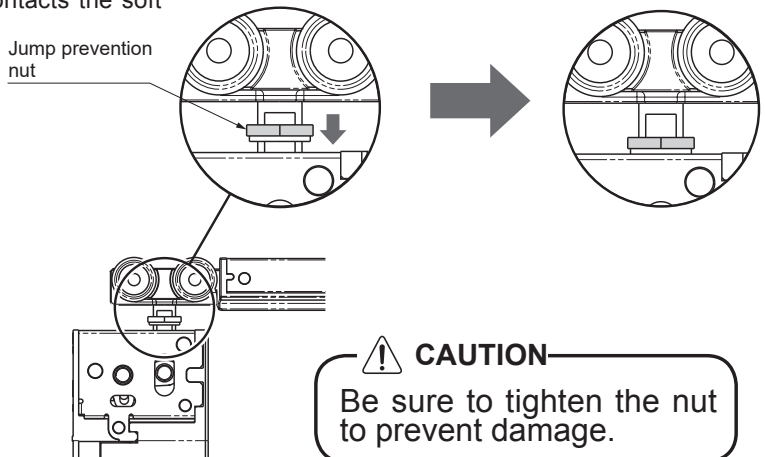


11 Fastening the Jump Prevention Nut

The jump prevention nut is on the hanger bolt of the upper roller. Tighten the nut with the provided spanner until it contacts the soft closer.



Jump prevention nut



CAUTION

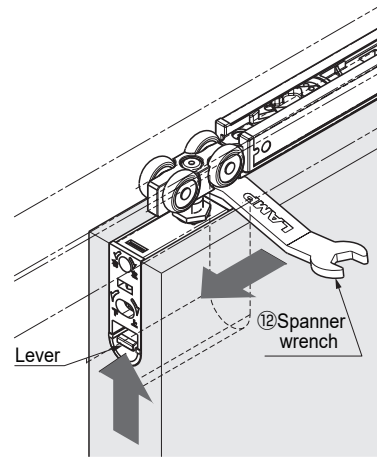
Be sure to tighten the nut to prevent damage.

APPENDIX 1 How to remove door

Use a 10 mm support under the door.
Then pull out the upper roller main unit from the door while raising the lever.

It will be easier if you slide the hanger bolt with a spanner.

CAUTION
Be careful not to let the door fall.

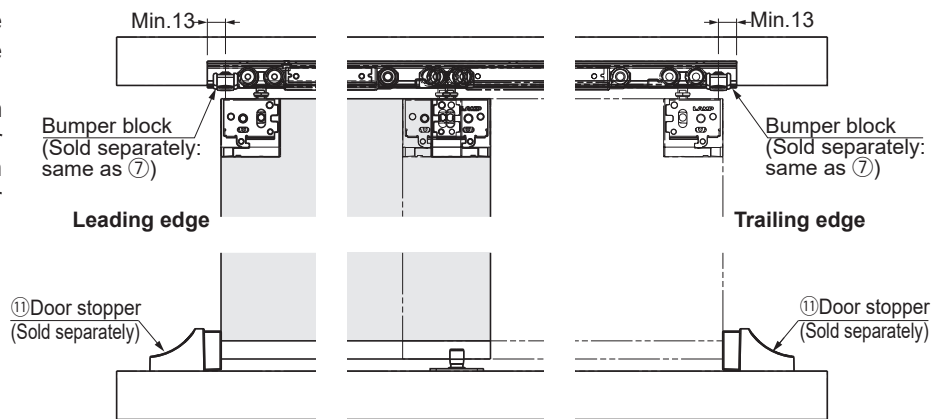


APPENDIX 2 When Vertical Frame is not Used

When vertical frame is not used, use the door stopper and bumper block on the track and on the floor.

Fasten the door stopper at the location where the door will stop. Fix the bumper block to both the upper track ends, then adjust it to the position where the door closes.

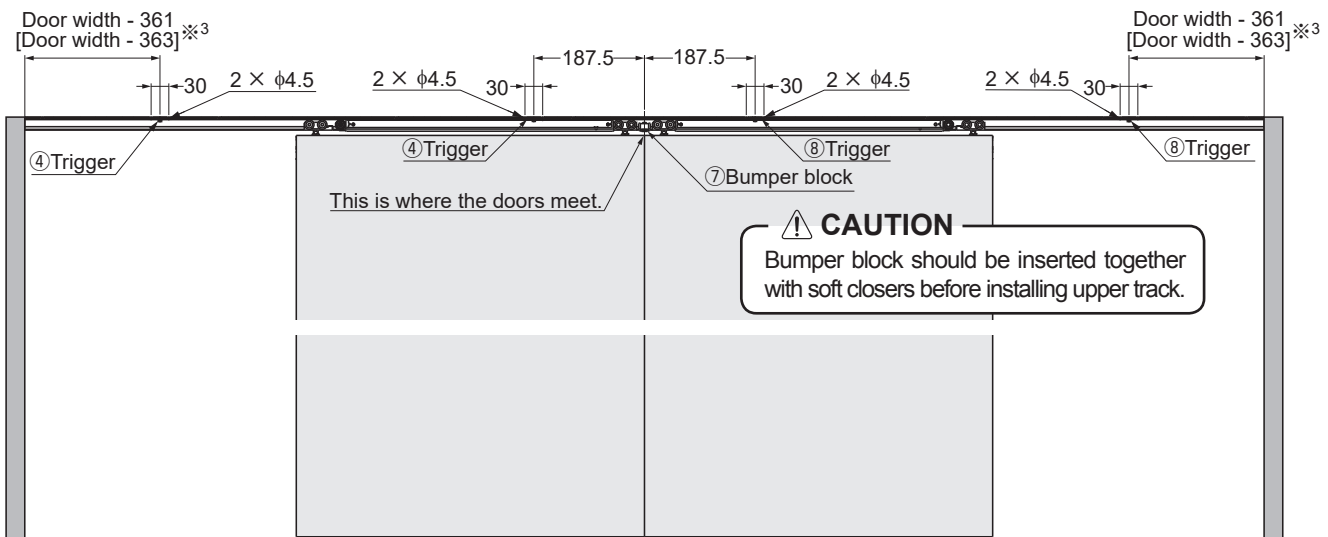
CAUTION
The soft closer may be damaged if door stopper and bumper block are not installed.



APPENDIX 3 Positions of Trigger for In Line Sliding

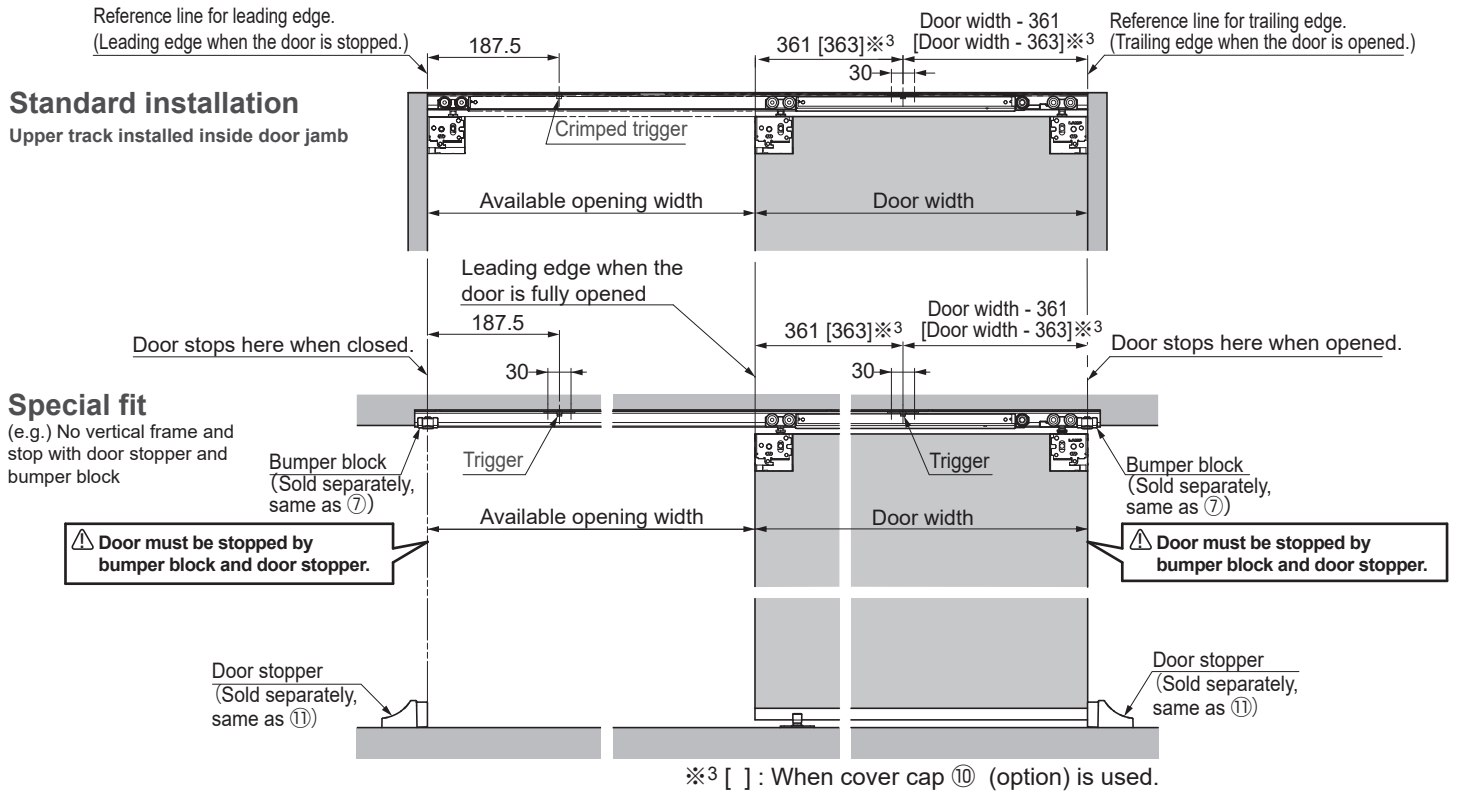
Process holes according to the drawing below.

CAUTION
Use the track for standard sliding for this application.



※3 [] : When cover cap ⑩ (option) is used.

APPENDIX 4 Trigger positions



Check the upper and lower space of the door. If necessary, correct the space.

PERIODICAL INSPECTION

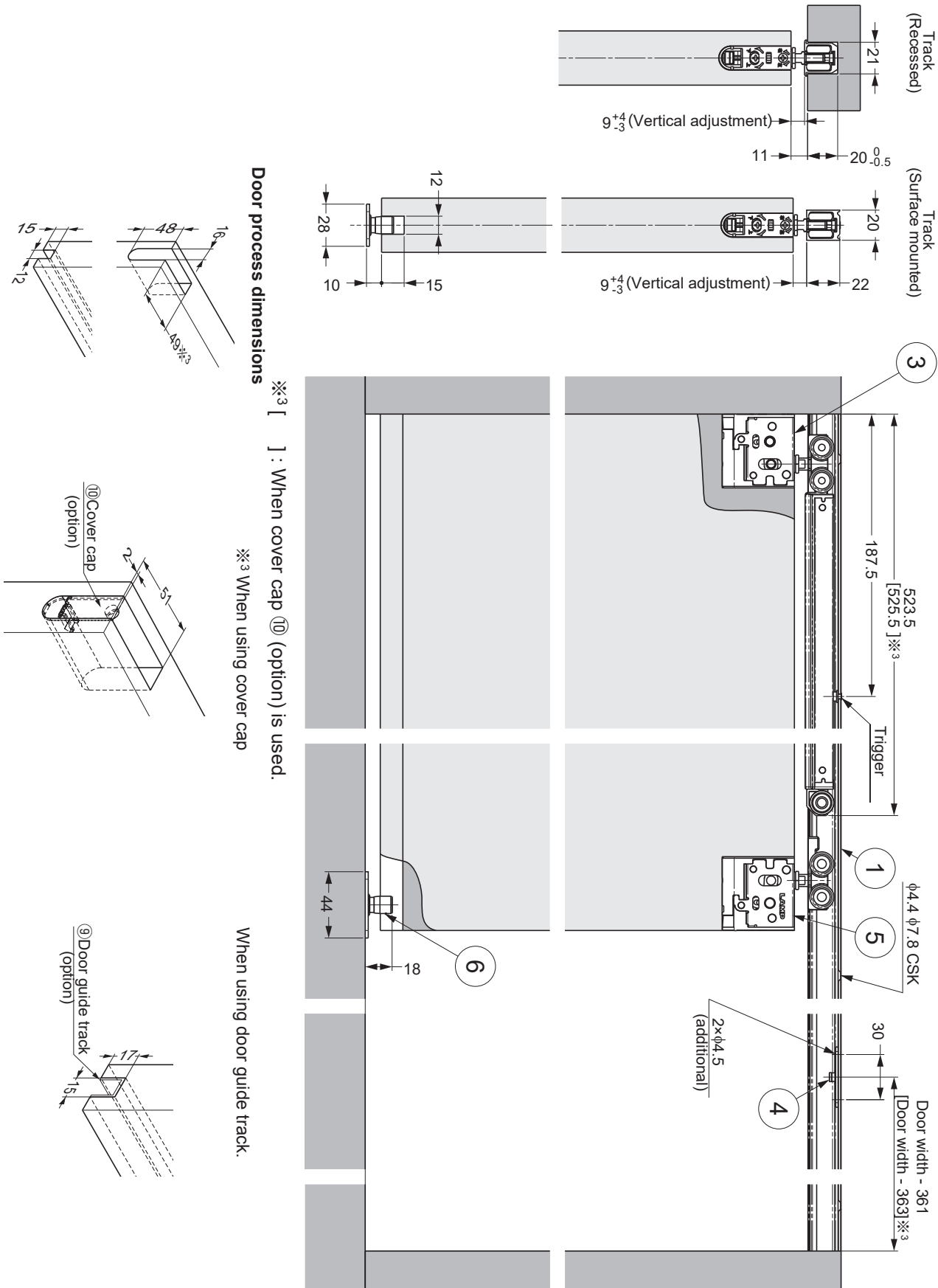
- Clean the inside of the track.
- Check the upper and lower space of the door. If necessary, correct the space.

TROUBLESHOOTING

Trouble	Checkpoint	Solution
Door stops during soft closing	Check if door bottom contacts with floor or floor guide.	Verify that track mounting screws are not loosened. Then, adjust door height such that the clearance between the door bottom and floor is 6 - 13 mm.
	Check if the upper track is set horizontally.	Using a level gauge, reset the upper track horizontally.
	Check if mohair seal is installed.	Reduce the friction between the mohair and door.
The door doesn't close softly.	Check if trigger is installed.	Install trigger to specific position.
	Check if door is closed by excessive force.	Do not close door by excessive force as it may damage the soft closer.
	The position of the trigger catcher in page 3 section ③ may become dislocated (It is hidden as installed in upper track.)	Slowly move the door towards the leading edge, then push the door firmly. Repeat this action on the opposite side as well. If it is still not improved, check the status of the trigger catcher in section ③.
Abnormal noise during operation	Check if door touches adjacent parts.	Adjust the door depth position to avoid contact with other objects or adjust the position of floor guide.
	Check track rollers for aluminum dust.	Remove the track, then pull out and clean the roller.
	Check the track mounting screws for looseness.	Retighten the screw to free the roller.
Heavy door operation	Check if door touches adjacent parts.	Adjust the door depth position to avoid contact with other objects or adjust the position of floor guide.
	Check if door bottom contacts with floor or floor guide.	Verify that track mounting screws are not loosened. Then, adjust door height such that the clearance between the door bottom and floor is 6 - 13 mm.
Door does not move.	Check the track retaining screws for looseness.	Retighten screws to free the roller.
Door starts to move	Check if the upper track is set horizontally.	Using a level gauge, reset the upper track horizontally.

INSTALLATION DRAWING (EXAMPLE)

In this manual, a single sliding door is used as an example.



See "APPENDIX 4" for the position of trigger.

CAUTION
See P.6 APPENDIX 2 when door stopper (11) (option) is used.

SUGATSUNE KOGYO CO.,LTD
Tokyo, JAPAN
Phone: +81 (0)3 3866 2260 E-mail:export@sugatsune.co.jp

SUGATSUNE KOGYO (UK) LTD
Reading, UK
Phone: +44 118 9272 955 E-mail:sales@sugatsune.co.uk

SUGATSUNE EUROPE GmbH
Düsseldorf, GERMANY
Phone: +49 211 53812900 E-mail:sales@sugatsune.eu

SUGATSUNE SHANGHAI Co., LTD
Shanghai, CHINA
Phone: +86 21 3632 1858 E-mail:lamp@sugatsune.com.cn

Guangzhou, CHINA
Phone: +86 20 6639 3552 E-mail:lamp@sugatsune.com.cn

SUGATSUNE KOGYO INDIA PRIVATE LIMITED
Mumbai, INDIA
Phone: +91 22 28314490/91 E-mail:sales@sugatsune.in

SUGATSUNE AMERICA, INC
California, USA
Phone: +1 310 329 6373 E-mail:sales@sugatsune.com

Illinois, USA
Phone: +1 630 317 7072 E-mail:sales@sugatsune.com

SUGATSUNE CANADA, INC.
Phone: +1 514 312 5267 E-mail:support@sugatsune.ca

ISO9001(Japan Offices and Sugatsune America) and ISO14001(Chiba Production division and Logistics center), certified.