

# Installation Manual

## FD35SP SLIDING DOOR SYSTEM

### Recessed Mount Type for Pocket Door, with Two-way Soft Close

**LAMP®**

Part No. : FD35SPDHCP-PD

Thank you for selecting our product. Before starting installation, please read this manual thoroughly to ensure correct installation. Please keep this manual at hand for future reference.

## ABOUT THE PRODUCT

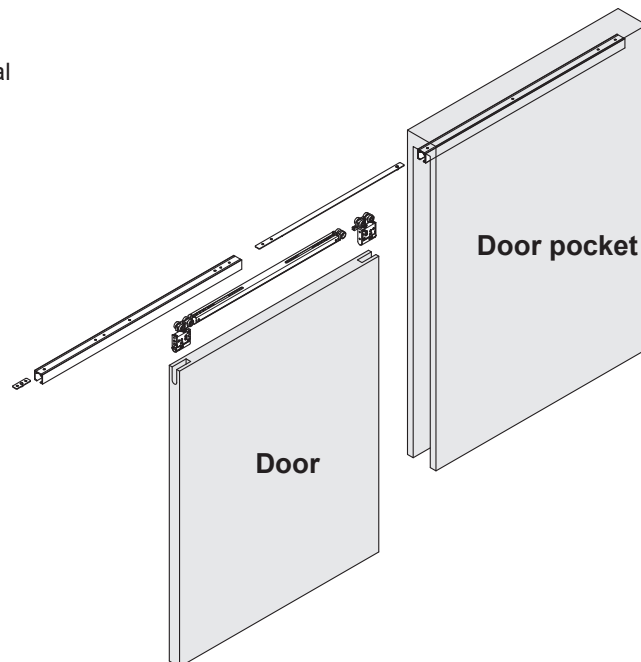
- This is a parts set for a sliding door system for residential & commercial use.
- The door closes in 2 soft motion steps; first slow, then fast, and opens with a 1 step soft motion.
- Two sections of track for easy maintenance after installing

## SPECIFICATIONS

Door height	Max. 2400 mm	2401 – 2700 mm
Door width	590 – 1200 mm	700 – 1200 mm
Min. Door thickness	30 mm	
Max. Door weight	35 kg <sup>※1</sup> /door	
Vertical adjustment	± 4 mm	
Depth adjustment	± 2 mm	

- The closing speed of the soft closing type door may change depending on the ambient temperature, operating method or installation quality.
- Recommended ambient temperature range is 5 to 40°C .

※<sup>1</sup> When using a light weight door, you may feel the resistance of the soft closer when opening the door. (Recommended at least 10kg)



## FOR YOUR SAFETY AND CORRECT INSTALLATION



**Warning  
Caution**



**Prohibited**



**Required**

### WARNING: If not followed, death or serious injury may result.



- This product should be installed by a qualified person in accordance with this manual. If it is not installed correctly, the door may fall and cause injury.
- Provide a frame that can withstand the weight and impact of opening and closing the door. Be sure to use the specified screws and tighten them securely. If the mounting strength is insufficient, the door may fall and cause injury.



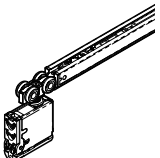


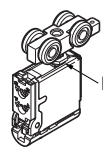

- Do not use this product for any other purpose, or with doors that are outside the specifications of this manual.
- Do not disassemble or modify any parts other than those described in this document.

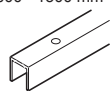
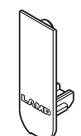

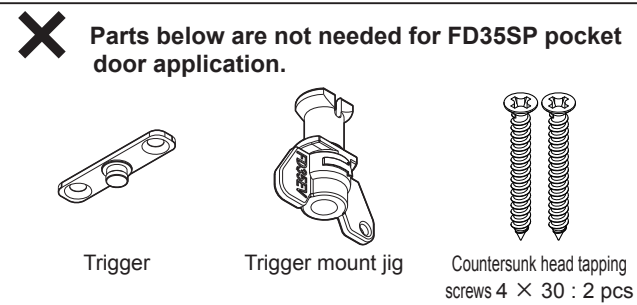
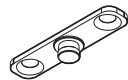

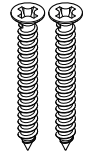
### Caution: If not followed, injury or damage may result.



- Follow the specified dimensions, specifications, and alignment of the door and frame. Warping, tilting or twisting of the frame or door may cause failure.
- If cutting any parts, make sure to remove any burrs before installation. Also check the upper track for any left-over burrs or scraps and remove these.
- This product is a part for architectural fittings. After installation, please check the function and safety of the final product. Please inform the end user how to use the product safely.
- Make sure to check the screws for slack at regular intervals (one month from first usage, half a year, and then one time every year is recommended).
- Install the product with two people (in the case of one person, there is a risk of damaging components).

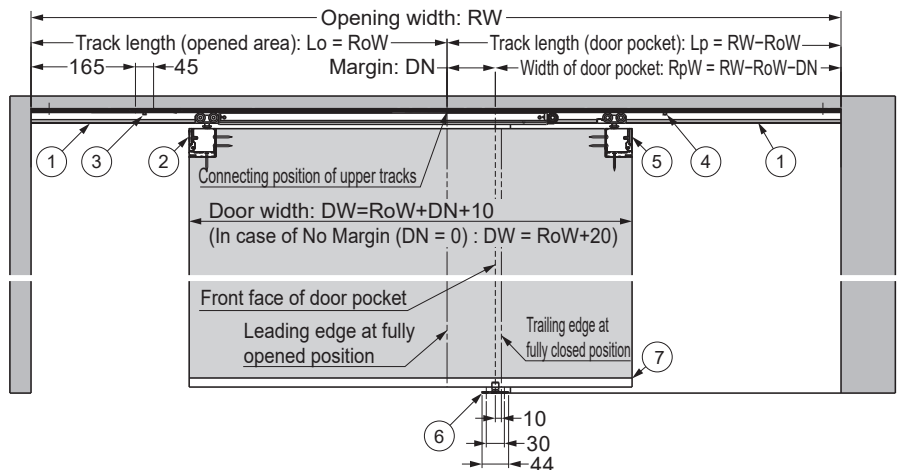
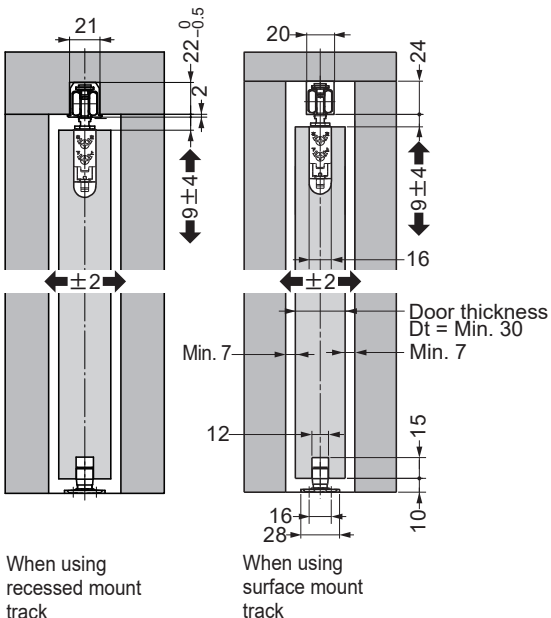
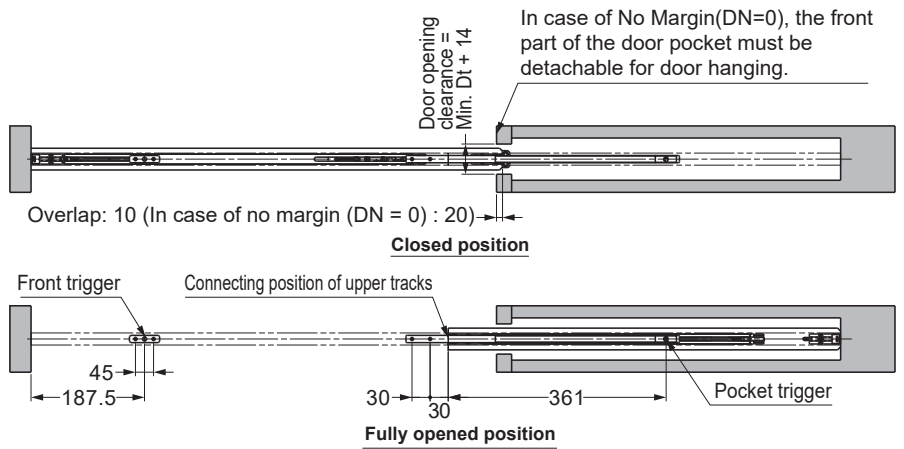
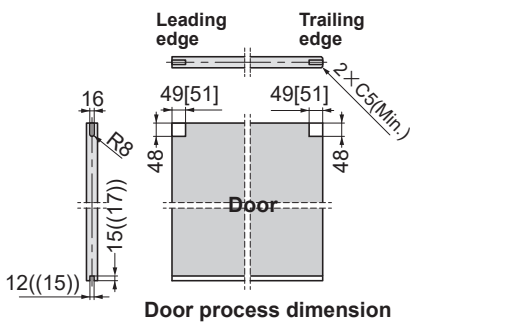
# COMPONENT PARTS

No.	①		②	③	④	⑤	⑥
Name	Upper track (surface mounted)	Upper track (recessed mounted)	Soft closer (two-way)	Front trigger	Pocket trigger	Upper roller	Floor guide
Part No.	FD30-35EV-TRMP	FD30-35EV-TRH	FD35SP-WRH-DSC	FD35EV-TRGPF	FD35EV-TRGPB	FD35SP-WRH-N	FD50-BGR18
Parts	Use either one.		 1 pc	 1 pc	 1 pc	 1 pc	 1 pc
Accessories	Countersunk head tapping screws 3.5 × 25 (Q'ty depends on the hole location)		Flat head tapping screws 3.8 × 40 3 pcs	Countersunk head tapping screws 4 × 30 2 pcs	Countersunk head tapping screws 4 × 30 2 pcs	Flat head tapping screws 3.8 × 40 3 pcs	Countersunk head tapping screws 4 × 20 4 pcs

Optional Parts	No.	⑦	⑧	Accessory	⑨	
	Name	Embedded Lower Guide Rail	Cover cap			Spanner wrench
	Part No.	FD30-HBRT	FDSP-WRH-CP			FDSP-SP
Parts	 1000 - 1500 mm Hole pitch : 250 mm Pitch end : 30 mm Recommended screw: Countersunk head tapping screw 4 × 20			<div style="text-align: center;">  <p>Parts below are not needed for FD35SP pocket door application.</p> </div>  Trigger  Trigger mount jig  Countersunk head tapping screws 4 × 30 : 2 pcs		

## INSTALLATION DRAWING (EXAMPLE)

The example shows the sliding door when the leading edge (at the fully opened position) is aligned with the connecting position of the upper tracks. To shift the connecting position towards the trailing edge, see page 9.



# TOOLS REQUIRED FOR INSTALLATION

- Philips head driver #2
- Machine or tool for cutting aluminum alloy
- Drill bit for metal:  $\phi 4.5$
- Drill bit for metal (for  $\phi 7.8$  countersunk hole)

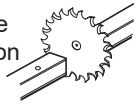
## INSTALLATION PROCEDURE

### 1 Cutting Track and Hole Drilling on Upper Track



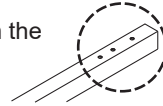
#### Caution

When cutting, reinforce the track to prevent deformation at the cut section.

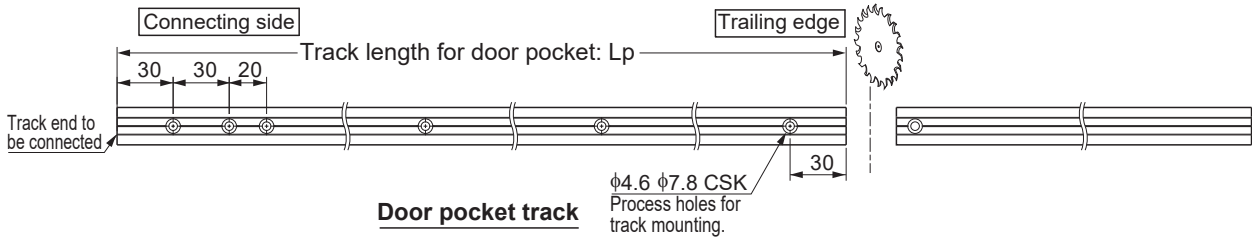
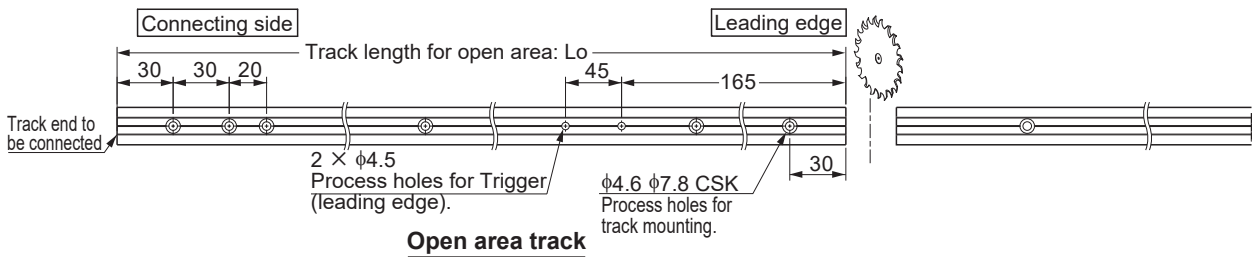


#### Caution

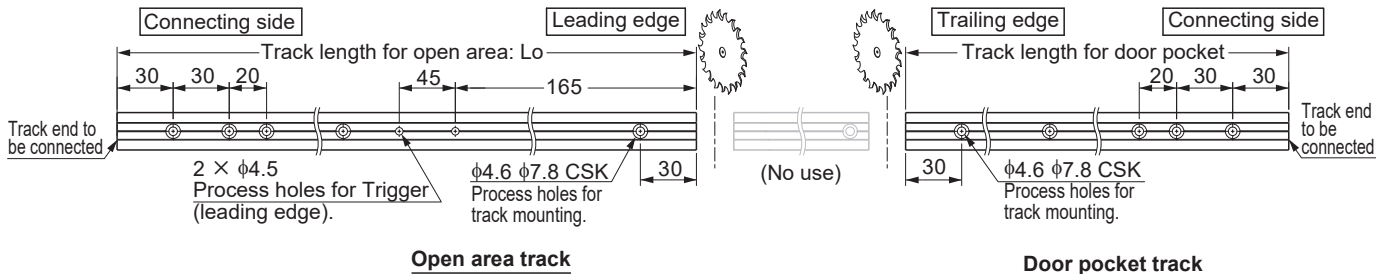
Do not cut the track on the side with three holes.



#### [1] When using 860 mm track and/or 1260 mm track (2 pcs)



#### [2] When cutting from a long track (1860 mm, 2760 mm, 3960 mm)



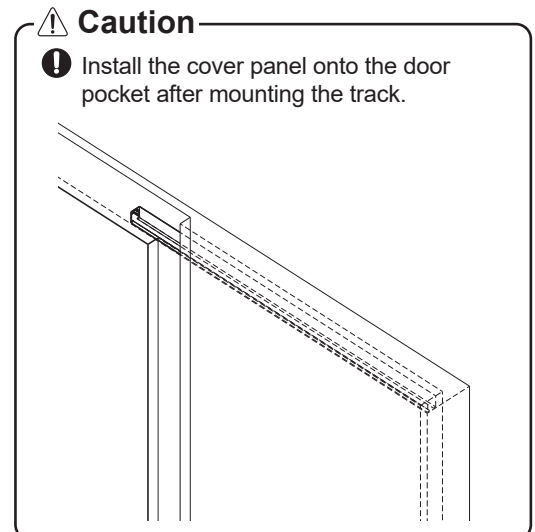
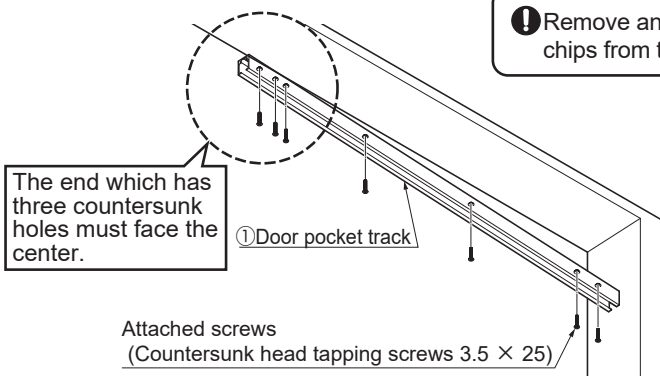
### 2 Installing Door pocket track

#### Caution

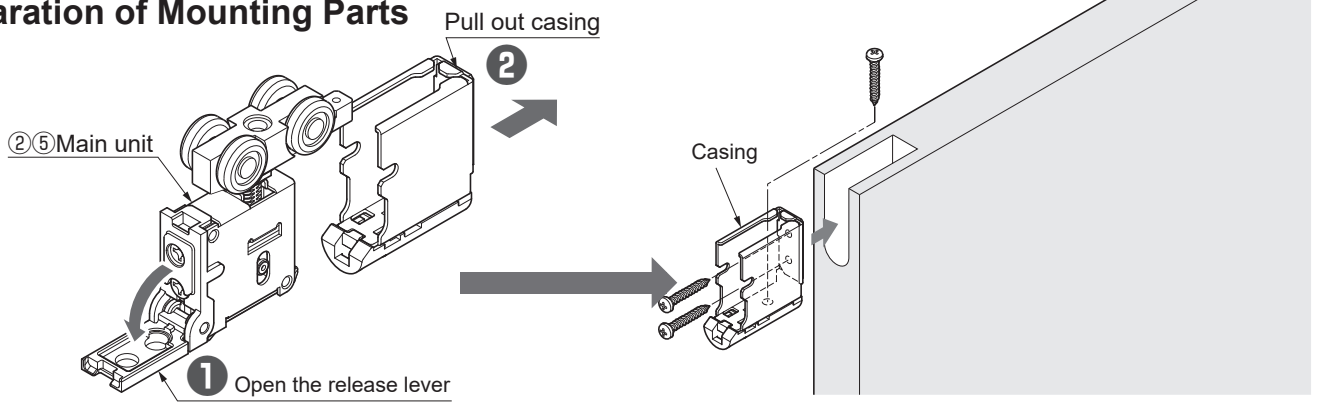
Remove any dirt or aluminum chips from the track.

#### Caution

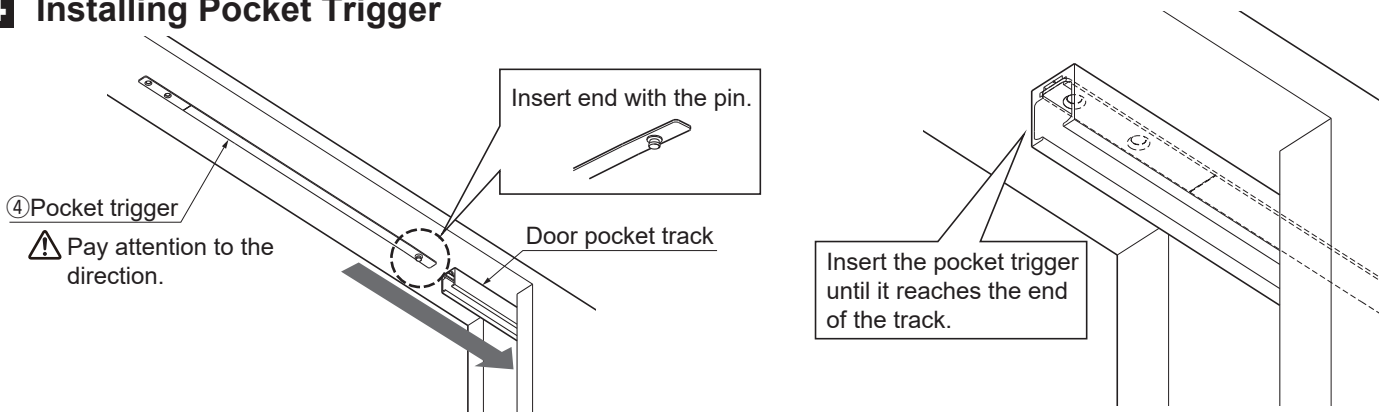
Install the cover panel onto the door pocket after mounting the track.



### 3 Preparation of Mounting Parts

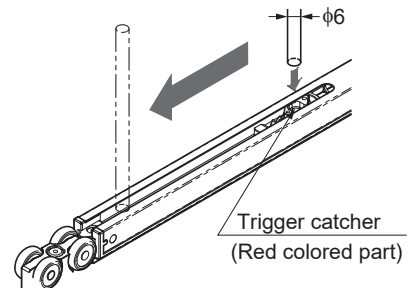
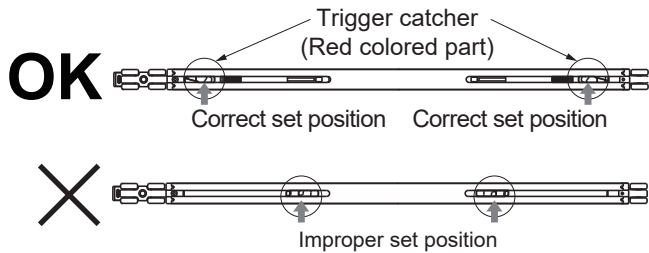


### 4 Installing Pocket Trigger



### 5 Verification Before Installing Soft Closer

**Caution**  
 Without verification the self closing feature may fail.

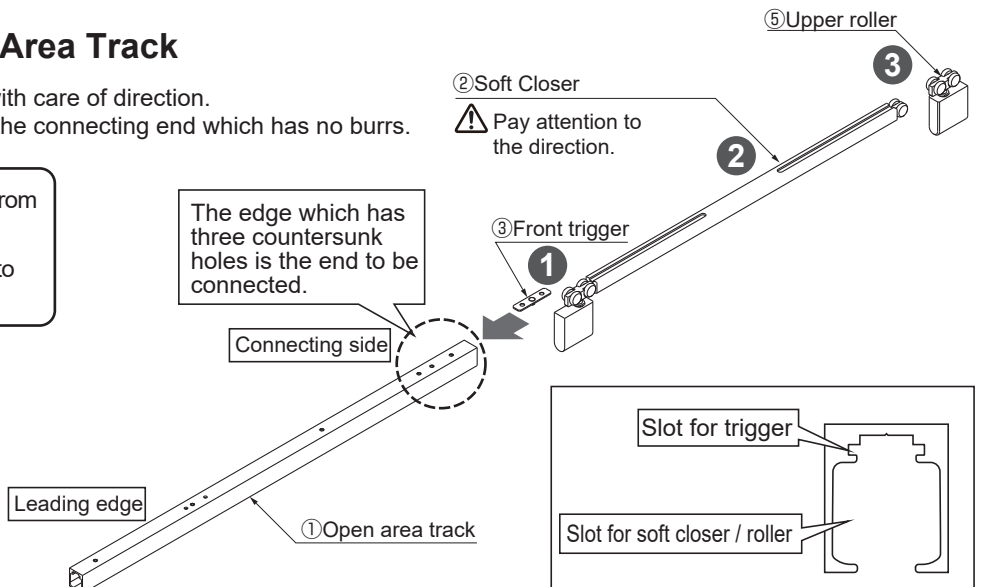


If the trigger position is wrong, pull back the trigger catcher to the correct position using a 6 mm diameter round bar.

### 6 Inserting Parts into Open Area Track

Insert the parts in order from ① to ③ with care of direction.  
 You can insert the parts smoothly from the connecting end which has no burrs.

**Caution**  
 Remove any dirt or aluminum chips from the track.  
 Tape around rollers and upper track to prevent inserted parts from falling.



## 7 Mounting of Open Area Track

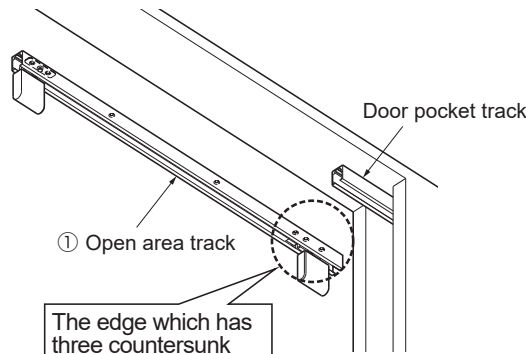
### [1] Connecting to door pocket track.

Align the track end to the end of the door pocket track.

Pull out the pocket trigger from the door pocket track, and insert it into the open area track.

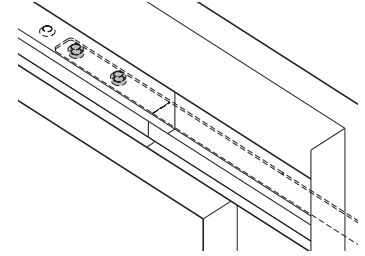
#### ⚠ Caution

- ❗ Remove any dirt or aluminum chips from the track.



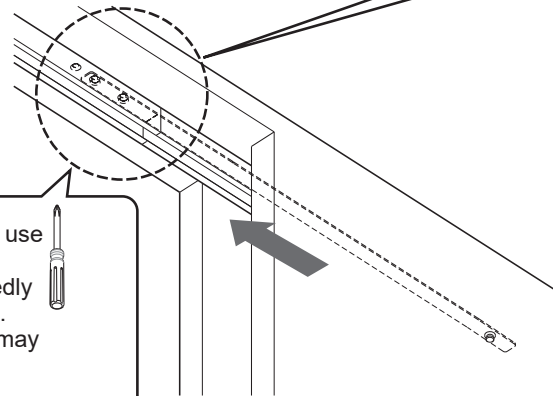
#### ⚠ Caution

- ❗ Overlap the two countersunk holes on the pocket trigger and the two holes on the open area track. Deviation of the joint position makes insertion of the trigger difficult.



#### ⚠ Caution

- ❗ When sliding the pocket trigger, use a screwdriver. The screwdriver may unexpectedly come out and damage the track. Scratches on the running track may cause a noise of rollers during operation.



### [2] Fastening trigger and track

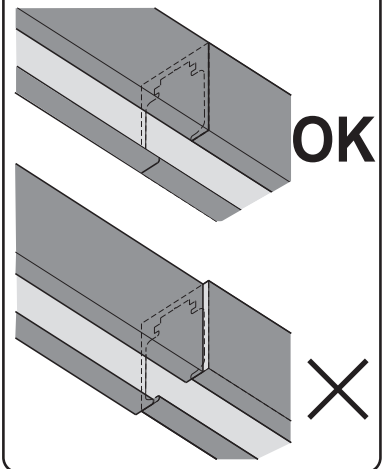
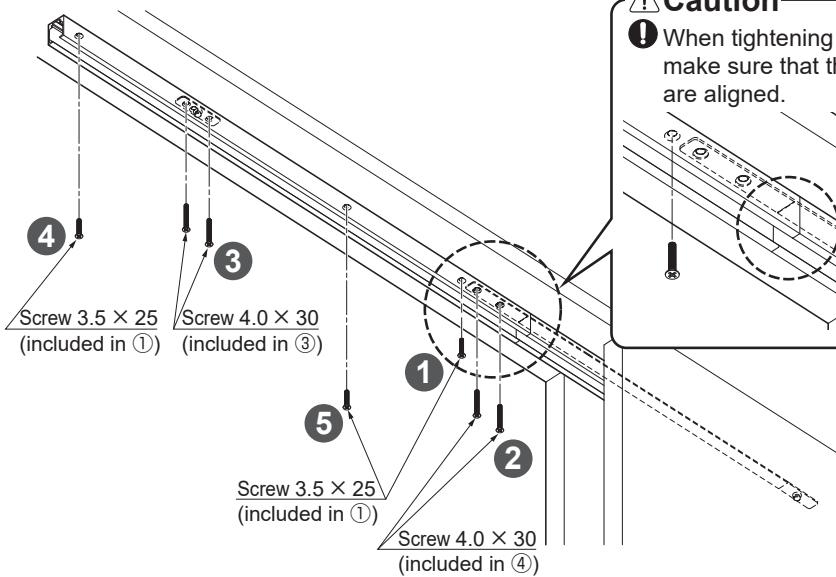
Fasten the open area track and pocket trigger with provided screws in order of ① to ⑤. Move rollers if they cover the fastening holes on the track.

#### ⚠ Caution

- ❗ When tightening the ① screws make sure that the both tracks are aligned.

#### ⚠ Caution

- ❗ Be careful not to misalign the tracks. Tighten the screws firmly.

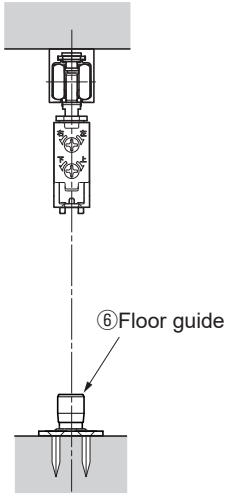


#### ⚠ Caution

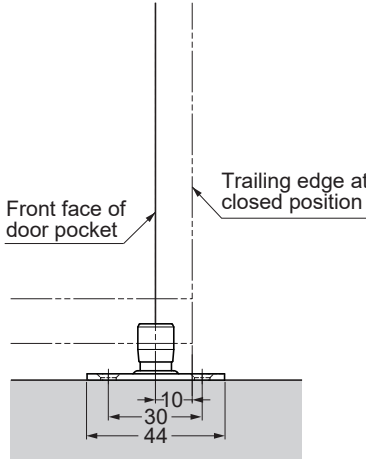
- ❗ After fixing the track, move rollers and check if there is any misalignment or gap between the tracks.

## 8 Mounting of Floor Guide Temporarily

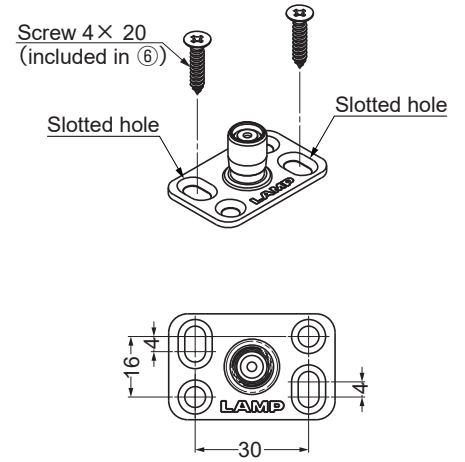
Position floor guide just below the center of the upper track.



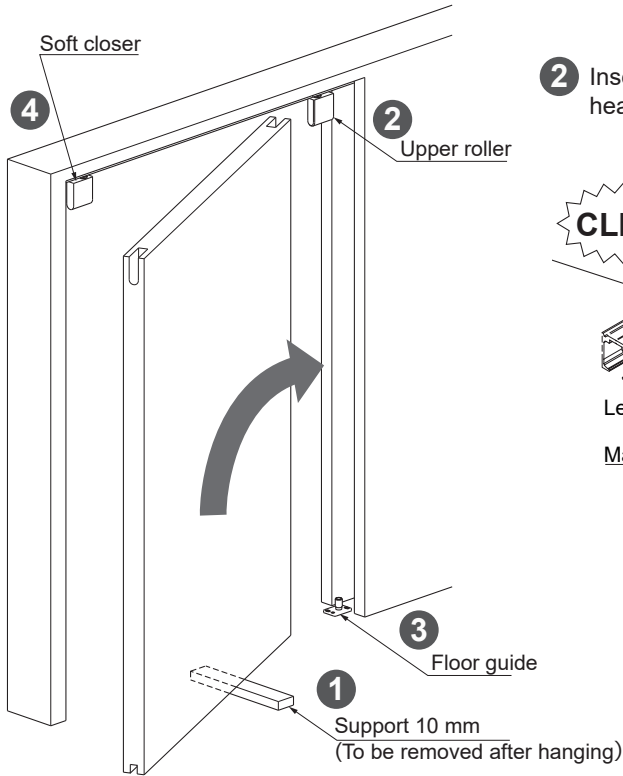
**Caution**  
 The position of the model where the margin occurs is shown in the figure.



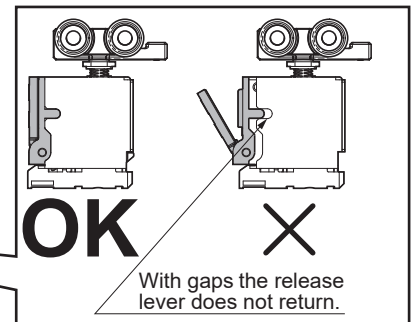
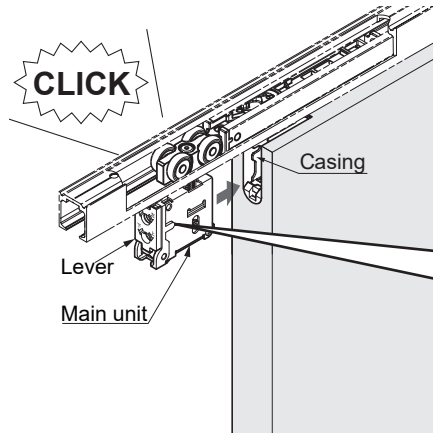
Temporarily fasten through the slotted holes with the provided screws.



## 9 Hanging Door



2 Insert the roller until a click sound is heard.



**Caution**  
 Verify that the main unit is not dislocated from the casing, for either of the door ends.

## 5 Verification of Soft Closer Operation

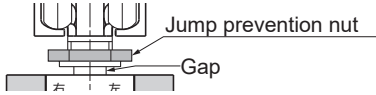
- Starting point of soft-motion.  
 Leading edge: approx. 100 mm before the stop position.  
 Trailing edge: approx. 50 mm before the stop position.

## 10 Adjusting The Door Position

Adjust the door so that it is parallel to the upper track with 6-14 mm of clearance between the door and floor.

### ⚠ Caution

- ❗ The adjustment of the door should be done with the jump prevention nut loosened.

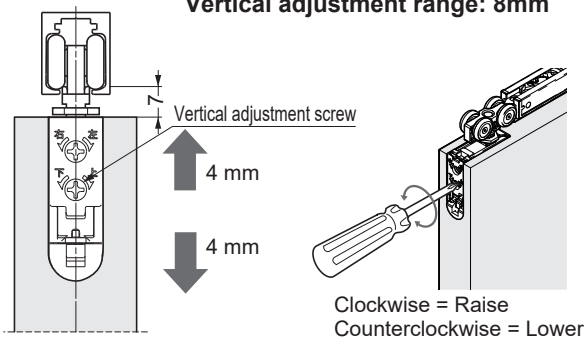


- ⊘ Do not turn the adjustment screw beyond adjustment range.

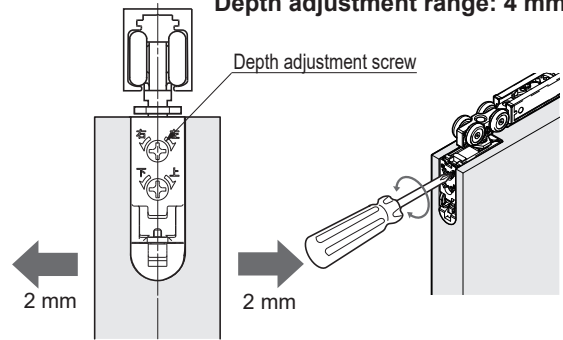
- ⊘ Do not use electric screw driver.



### Vertical adjustment range: 8 mm



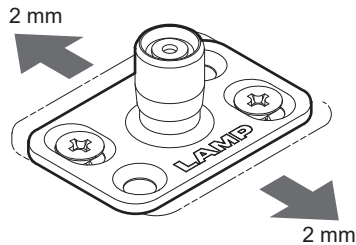
### Depth adjustment range: 4 mm



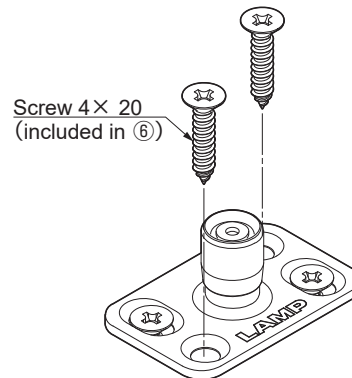
## 11 Adjusting, Fastening Floor Guide

If the door movement is not smooth, remove the door, then adjust the floor guide forwards or backwards.

### Adjustment range: 4 mm

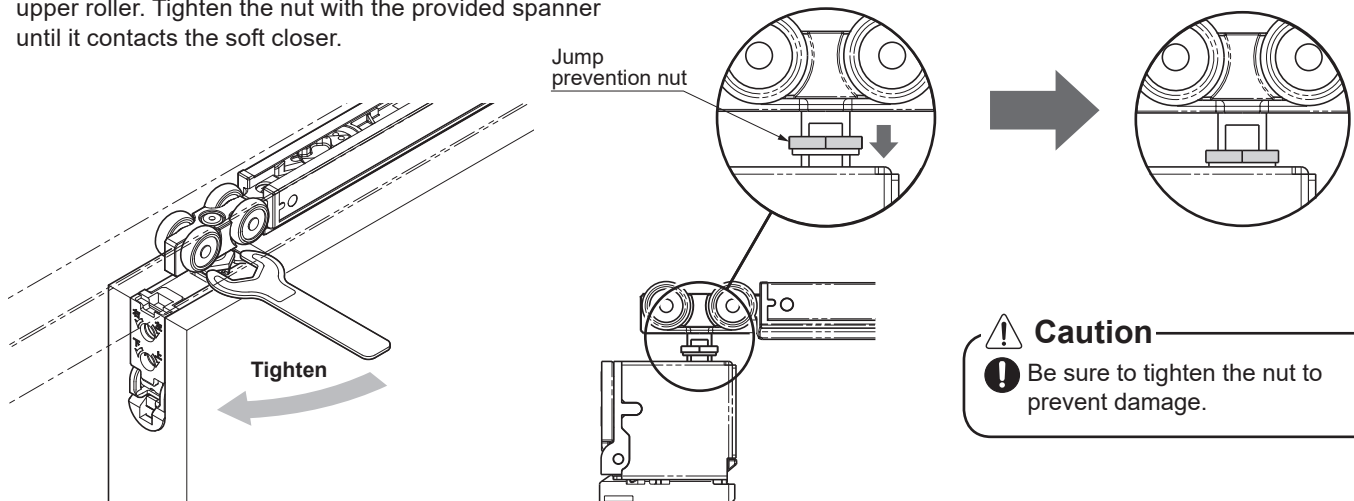


Tighten all 4 screws after the adjustment.



## 12 Fastening the Jump Prevention Nut

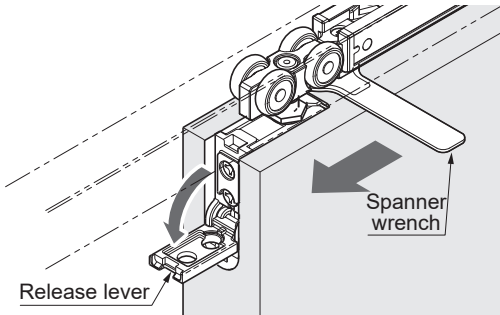
The jump prevention nut is on the hanger bolt of the upper roller. Tighten the nut with the provided spanner until it contacts the soft closer.



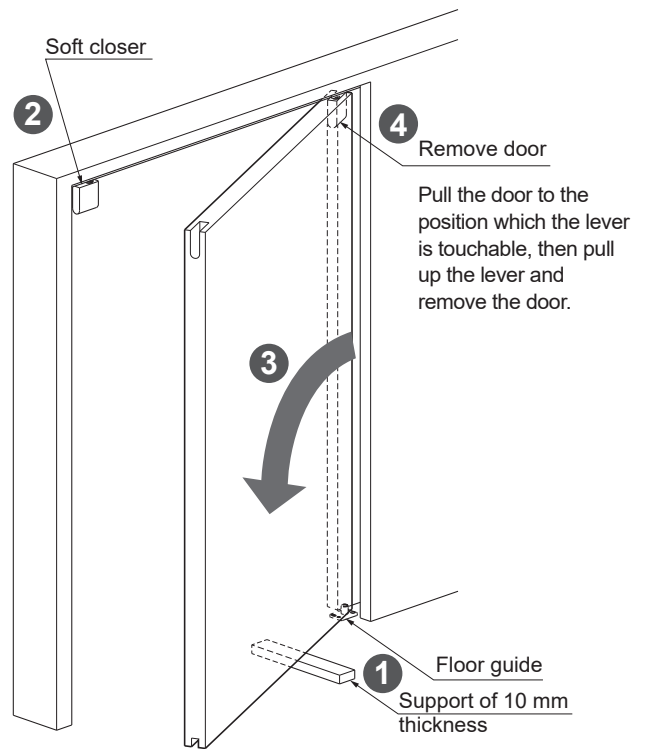
- ### ⚠ Caution
- ❗ Be sure to tighten the nut to prevent damage.

## [1] How to remove door

- ① Use a 10 mm support under the door.
- ② Then pull out the upper roller main unit from the door while lower the lever. If it is difficult to install or detach the roller, loosen the nut as shown in the illustration. It will be easier if you slide the hanger bolt with a spanner wrench.
- ③ Pull out the door, while making sure not to let it scratch against the door pocket.
- ④ Pull out the trailing edge roller from the casing.



**Caution**  
 Be careful not to let the door fall.

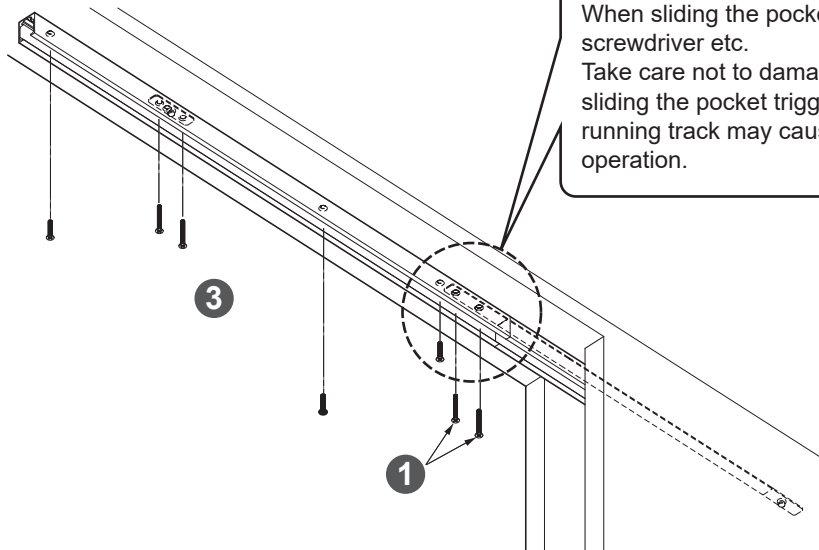
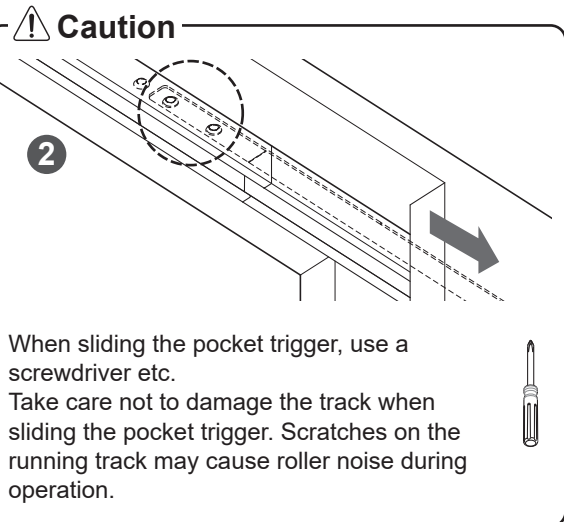


## [2] How to remove Upper track

- ① Remove the pocket trigger screws.
- ② Slide the pocket trigger into the door pocket track.
- ③ Remove the open area track.

**Caution**  
 The trigger can be deformed if the open area track is removed if the pocket trigger has not been moved into the pocket track.

Hold the open area track when removing the last screw.

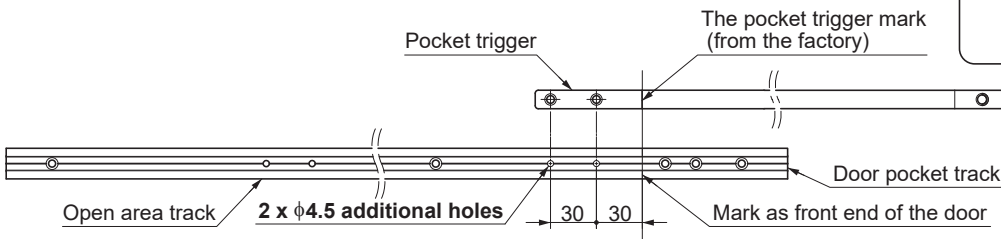
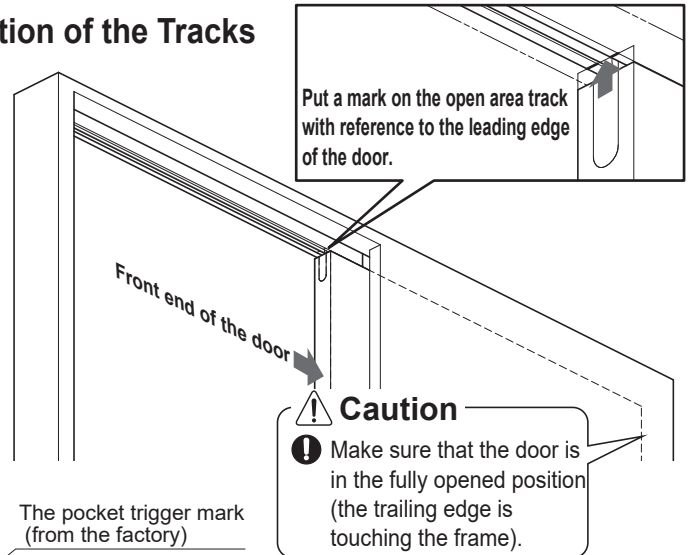




## Appendix 2 How to Shift the Connecting Position of the Tracks

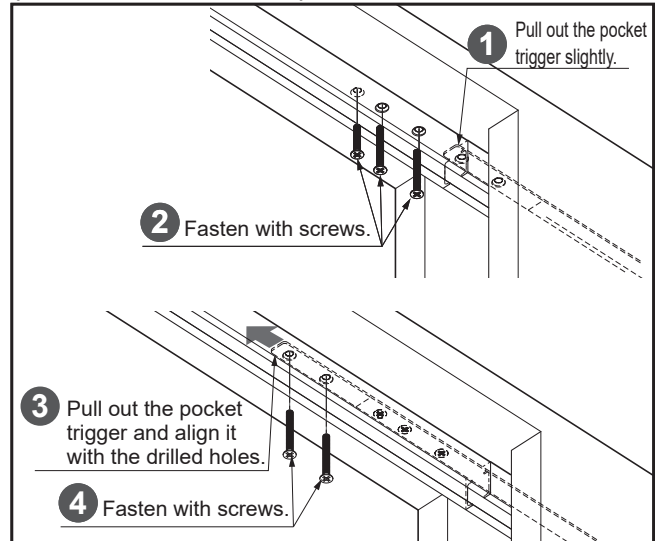
### [1] When determining the trigger position on site

- (1) Put a mark on the open area track with reference to the front end of the door at the fully opened position. (Use masking tape so that the track isn't marked)
- (2) Remove the open area track. Remove the door according to the procedure - **Appendix 1**: How to remove the door, then remove the open area track.
  - Drill additional holes for trigger on the open area track. (See the drawing below.)



- (3) Mounting open area track  
Follow the figure to the bottom right, since the working sequence is different from the regular process.
- (4) Hanging the door  
Refer to the procedure [2] and the following procedures on page 3.

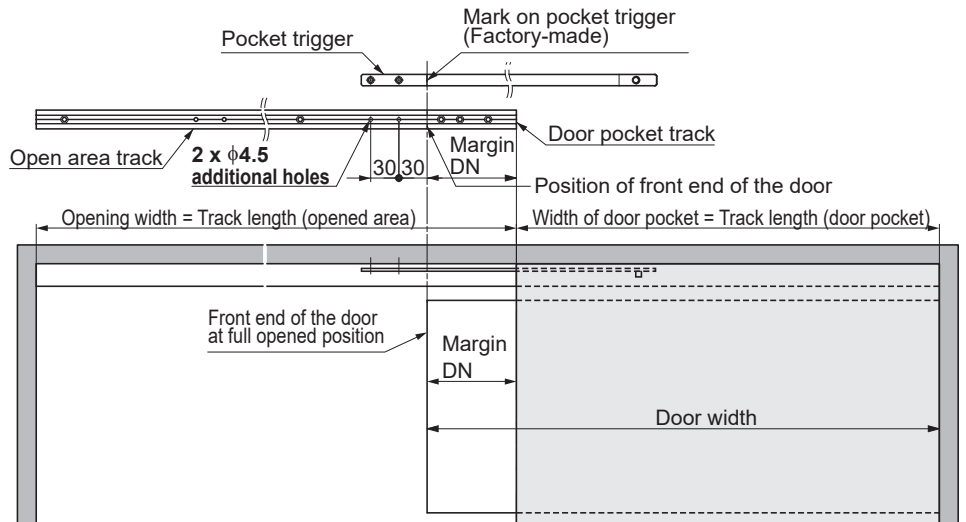
### Working sequence for mounting the open area track (common to [1] and [2])



### [2] How to process the holes for pocket trigger in advance

[Example] Door pocket track with length equal to the width of the door pocket.

- (1) Drill holes for the pocket trigger according to the drawing below.
- (2) Fix the open area track, while following the above right figure, since the working sequence is different from the regular process.



<b>PERIODICAL INSPECTION</b>	<ul style="list-style-type: none"> <li>• Clean the inside of the track.</li> <li>• Check the upper and lower space of the door. If necessary, correct the space.</li> </ul>
------------------------------	---

## ■ TROUBLESHOOTING

Trouble	Checkpoint	Solution
Door stops during soft closing	Check if door bottom contacts the floor or floor guide.	Verify that the track mounting screws are not loosened. Then, adjust the door height such that the clearance between the door bottom and floor is 6 - 14 mm.
	Check if the upper track is set horizontally.	Using a level gauge, reset the upper track horizontally.
	Check if mohair seal is installed.	Reduce the friction between the mohair seal and door.
The door doesn't close softly	Check if trigger is installed.	Install trigger to specified position.
	Check if door is closed by excessive force.	Do not close door by excessive force as it may damage the soft closer.
	The position of the trigger catcher in page 4 section 5 may become dislocated. (It is hidden as installed in upper track.)	Slowly move the door towards the leading edge, then push the door firmly. Repeat this action on the opposite side as well. If it is still not improved, check the status of the trigger catcher in section 5.
Abnormal noise during operation	Check if door bottom contacts the floor or floor guide.	Verify that the track mounting screws are not loosened. Then, adjust the door height such that the clearance between the door bottom and floor is 6 - 14 mm.
	Check if door touches adjacent parts.	Adjust the door depth position to avoid contact with other objects or adjust the position of floor guide.
	Check track rollers for aluminum dust.	Remove the track, then pull out and clean the roller.
	Check the track mounting screws for looseness.	Retighten the screws to free the roller.
Heavy door operation	Check if door bottom contacts the floor or floor guide.	Verify that the track fixing screws are not loosened. Then, adjust the door height such that the clearance between the door bottom and floor is 6 - 14 mm.
	Check if door touches adjacent parts.	Adjust position of the floor guide.
Door does not move.	Check the track retaining screws for looseness.	Retighten screws to free the roller.
Door starts to move.	Check if the upper track is set horizontally.	Using a level gauge, reset the upper track horizontally.
Door stops or caught during operation.	Check if there is any gap or misalignment between the tracks.	Correct the misalignment or gap.

**SUGATSUNE KOGYO CO., LTD.**  
Tokyo, JAPAN  
Phone: +81 3 3866 2260  
E-mail: export@sugatsune.co.jp

**SUGATSUNE KOGYO (UK) LIMITED**  
Reading, UK  
Phone: +44 1189 272 955  
E-mail: sales@sugatsune.co.uk

**SUGATSUNE EUROPE GmbH**  
Düsseldorf, GERMANY  
Phone: +49 211 53812 900  
E-mail: sales@sugatsune.eu

**SUGATSUNE AMERICA, INC.**  
California, USA  
Phone: +1 310 329 6373  
E-mail: sales@sugatsune.com

**Chicago, USA**  
Phone: +1 630 317 7072  
E-mail: sales@sugatsune.com

**SUGATSUNE CANADA, INC.**  
Montreal, CANADA  
Phone: +1 514 312 5267  
E-mail: support@sugatsune.ca

**SUGATSUNE SHANGHAI CO., LTD.**  
Shanghai, CHINA  
Phone: +86 21 3632 1858  
E-mail: lamp@sugatsune.com.cn

**Guangzhou, CHINA**  
Phone: +86 20 6639 3554  
E-mail: lamp@sugatsune.com.cn

**SUGATSUNE KOREA CO., LTD.**  
Incheon, KOREA  
Phone: +82 32 220 0603  
E-mail: sales@sugatsune-korea.co.kr

**SUGATSUNE KOGYO INDIA PRIVATE LIMITED**  
Mumbai, INDIA  
Phone: +91 9867299597  
E-mail: sales@sugatsune.in  
Delhi, INDIA  
Phone: +91 9867299597  
+91 11 45093636  
E-mail: sales@sugatsune.in