

Installation Manual

F50SP SLIDING DOOR SYSTEM

LAMP®

Recessed Roller, Standard Sliding

品番 : FD50SPHHP

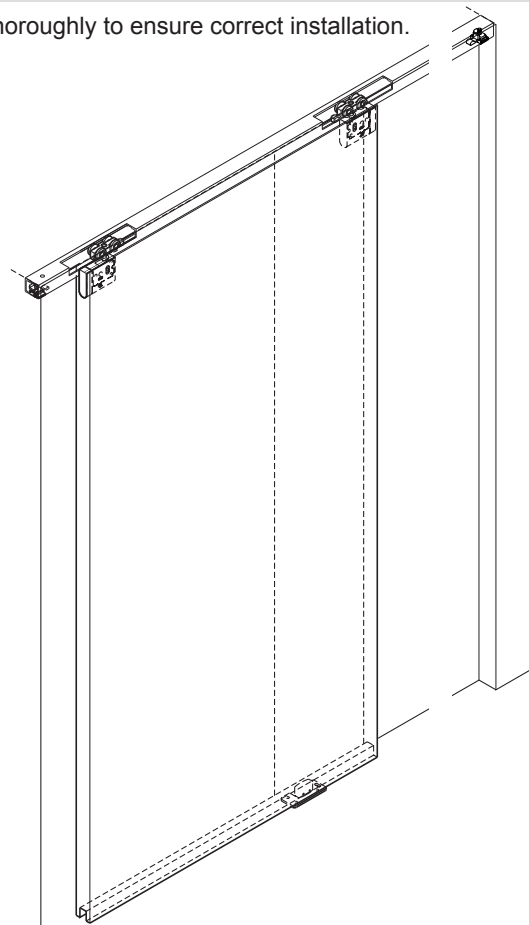
Thank you for using our product. Before installation, please read this manual thoroughly to ensure correct installation. Please keep this manual at hand for future reference.

ABOUT THE PRODUCT

- This product is a parts set for an indoor sliding door system for residential & commercial use.
- The door can be installed without the use of tools.

SPECIFICATIONS



Door height	Max. 2400mm	2401–2700mm
Door width	680–1500mm	800–1500mm
Min. Door thickness	24 mm	
Max. Door weight	50 kg / door	
Vertical adjustment	± 4 mm	
Depth adjustment	± 2 mm	




FOR YOUR SAFETY AND CORRECT INSTALLATION

 **Warning Caution**  **Prohibited**  **Required**

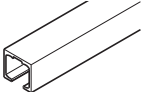
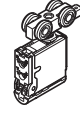
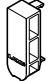
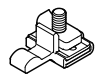
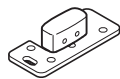
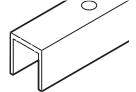



WARNING: If not followed, death or serious injury may result.

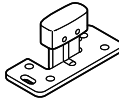

-  • This product should be installed by a qualified person in accordance with this manual. If it is not installed correctly, the door may fall and cause injury.
- Provide a frame that can withstand the weight and impact of opening and closing the door. Be sure to use the specified screws and tighten them securely. If the mounting strength is insufficient, the door may fall and cause injury.
-  • Do not use this product for any other purpose, or with doors that are outside the specifications of this manual.
- Do not disassemble or modify any parts other than those described in this document.

Caution: If not followed, injury or damage may result.

-  • Follow the specified dimensions, specifications, and alignment of the door and frame. Warping, tilting or twisting of the frame or door may cause failure.
- If cutting any parts, make sure to remove any burrs before installation. Also check the upper track for any left-over burrs or scraps and remove these.
- This product is a part for architectural fittings. After installation, please check the function and safety of the final product. Please inform the end user how to use the product safely.
- Make sure to check the screws for slack at regular intervals (one month from first usage, half a year, and then one time every year is recommended).
- Install the product with two people (in the case of one person, there is a risk of damaging components).

COMPONENT PARTS

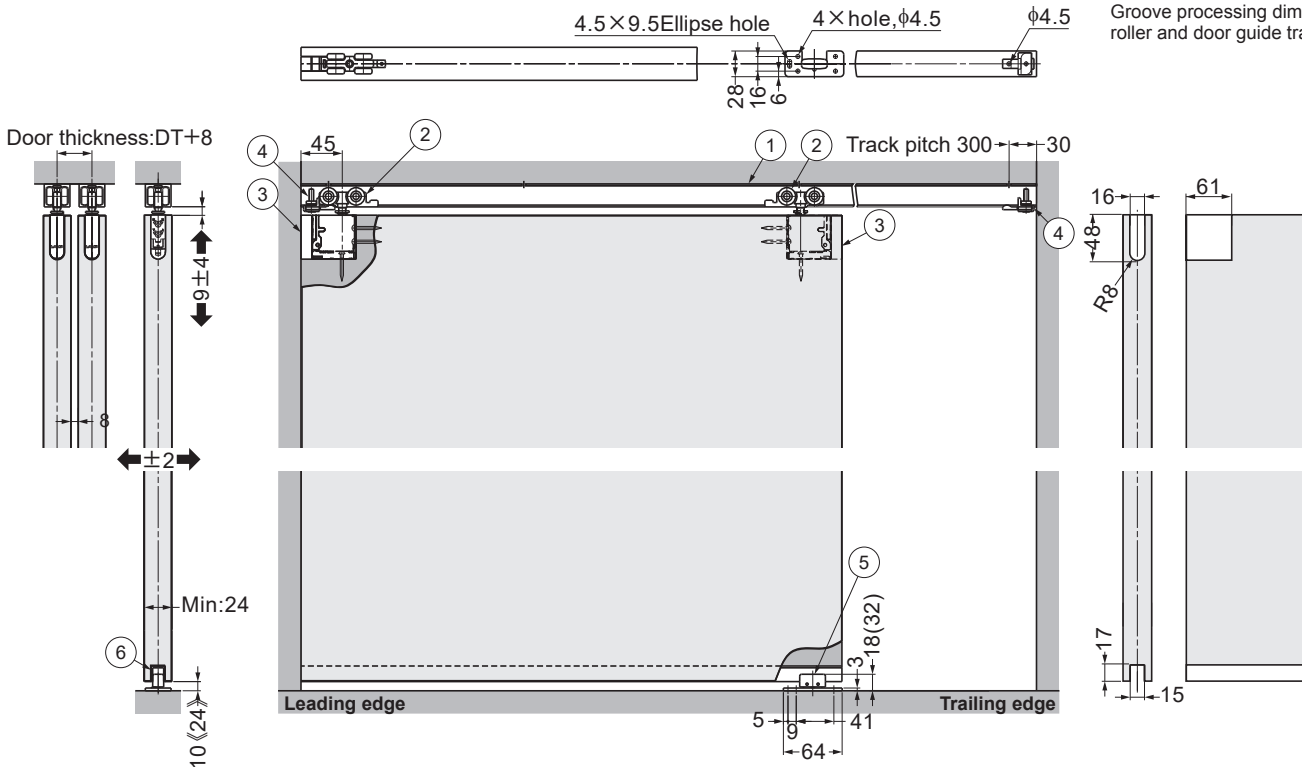
No.	①	②	③	④	⑤	⑥
Name	Upper track	Upper roller	Cover cap	End stopper	Floor guide S	Embedded Lower Guide Rail
Item No.	FD50-TRM	FD50SP-WRH	FD50-WRH-SCP	FD50-HTST	FD50-BG18	FD30-HBRT
Item	(various sizes)  Hole pitch : 300 mm Pitch end : 30 mm Accessory screw: Flat fillister pan head tapping screw 3.8×40	 Accessory screw: Pan head tapping screw 3.8×40 3 pcs	 Thickness:12 mm		 Accessory screw: Bind head tapping screw 4×16 5 pcs	 1000-1500mm Hole pitch : 250 mm Pitch end : 30 mm Recommended screw: Countersunk head tapping screw 4×20
Single sliding	 1 pc	2 pcs	2 pcs	2 pcs	1 pc	1 pc
Double sliding	 2 pcs	4 pcs	4 pcs	4 pcs	2 pcs	2 pcs
In line sliding	 1 pc	4 pcs	4 pcs	4 pcs	2 pcs	2 pcs

OPTIONAL PARTS	No	⑦	⑧
	Name	Floor guide L	Spanner
	Item No.	FD50-BG32	FDSP-SP
	Item	 Accessory screw: Pan head tapping screw 4×16 5 pcs	

INSTALLATION DRAWING (EXAMPLE)

CAUTION
 ⚠ When vertical frame is not used, apply two - way soft closer

Door process dimension
 Groove processing dimension for upper roller and door guide track.



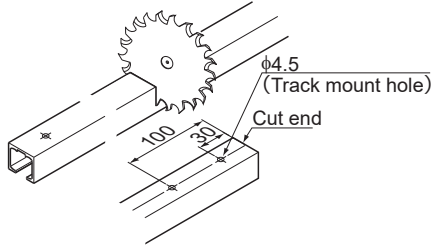
Dimension in (): When Floor guide L⑦ (Option) is used

INSTALLATION PROCEDURE (In this manual, a single sliding door is used as an example.)

1 Preparation and Installation

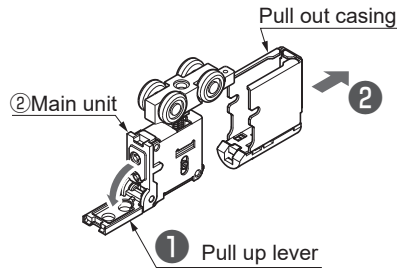
[1] Cutting track and Hole Drilling on Upper Track

CAUTION
 ❶ When cutting, reinforce the track to prevent deformation at the cut section.

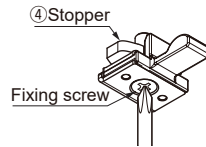


When length from cut face to installation hole is more than 100 mm, provide 4.5 mm dia. hole at 30 mm from cut face.

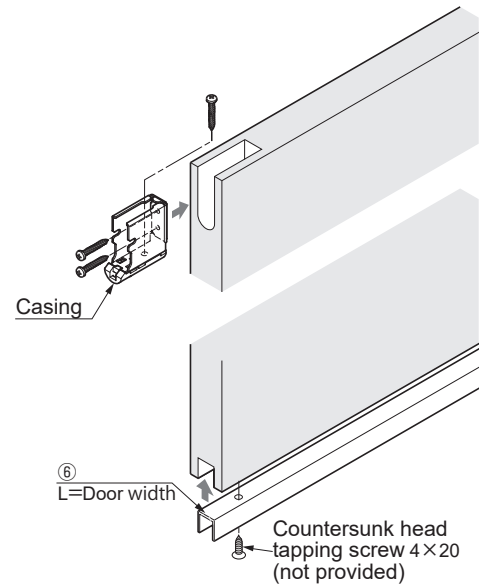
[2] Preparation of Mounting Parts



ストッパーの固定ねじをゆるめる。



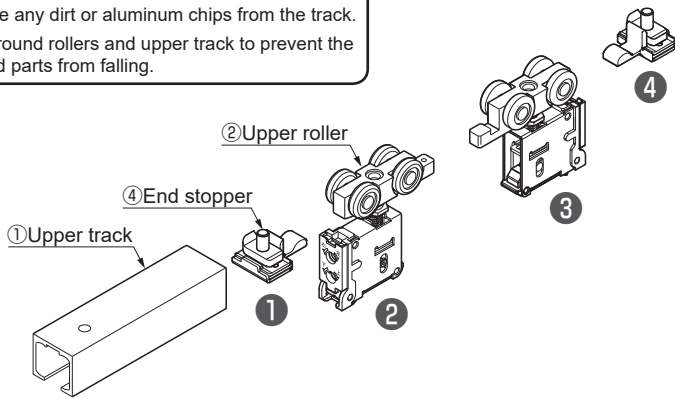
[3] Installing casing and door guide track



[4] Inserting Parts into Upper Track

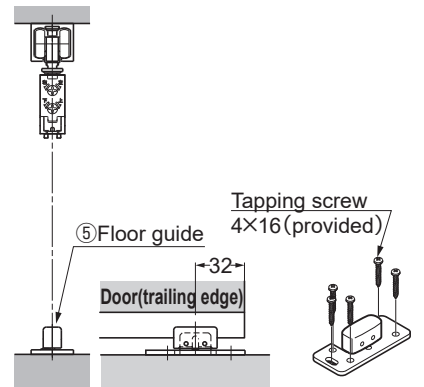
Insert the parts in order from ❶ to ❷ with care of direction.

CAUTION
 ❶ Remove any dirt or aluminum chips from the track.
 ❷ Tape around rollers and upper track to prevent the inserted parts from falling.



[5] Mounting of Floor Guide Temporarily

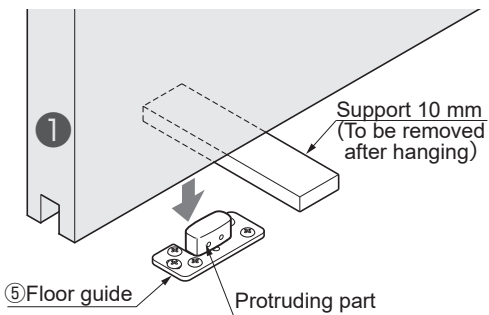
Position the floor guide below the center of the upper track, so that it is covered by the door when it is opened and closed.



2 Hanging Door

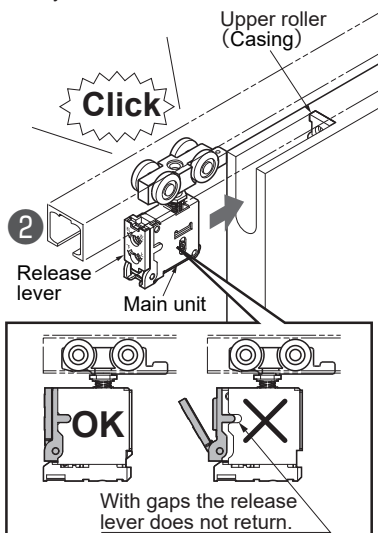
[1] Door hanging (door bottom)

- Place a 10 mm support under the door.
- While holding the door, place the groove under the door on the protruding part of the floor guide.



[2] Door hanging (top of door)

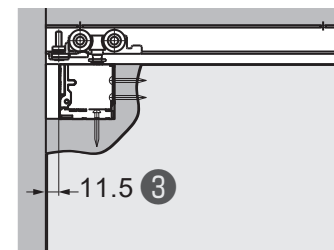
Push the upper roller (main unit) in until you hear a click.



[3] Stopper position fixation

Fixing the end stopper position
 Install the parts so that the distance between the vertical frame and the center of the fixing screw becomes 11.5mm.
 No clearance is given between the door end grain and the vertical frame. If necessary, adjust the end stopper position.

CAUTION
 ❶ If necessary, adjust the gap between the wooden mouth surface of the door and the vertical frame.



[4] Adjustment of door position

Adjust the door parallel to the upper track with 6 - 14 mm of clearance between the door and floor.

[5] Installation of spacer caps

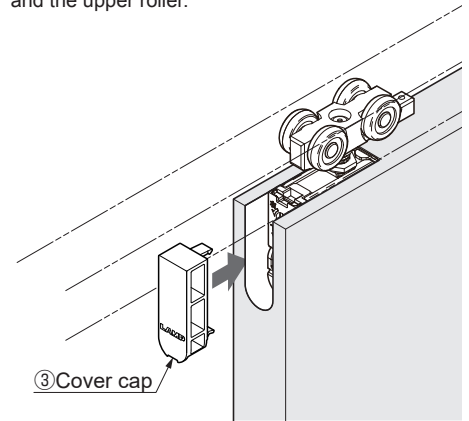
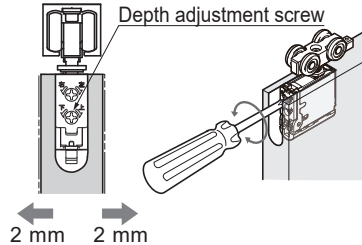
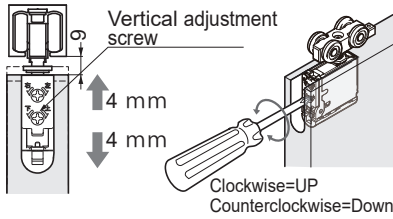
Install the cover cap by pushing it between the door wood edge surface and the upper roller.

CAUTION

- Do not turn the adjustment screw beyond adjustment range.
- Do not turn adjustment screw beyond adjustment range.
- Do not use electric screw driver.

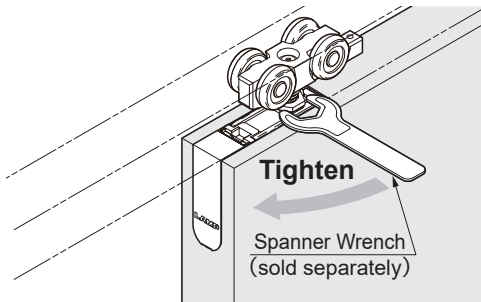
Vertical adjustment range: 8 mm

Depth adjustment range: 4 mm



[6] Fastening the jump prevention nut

With spanner 12, tighten the jump prevention nuts until they will contact to main unit.

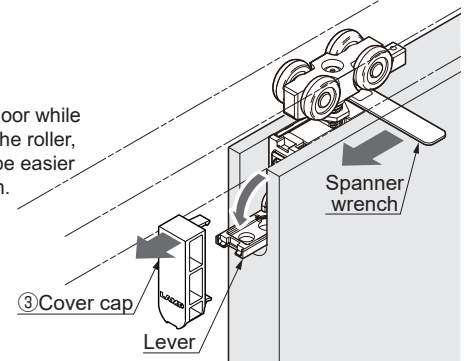


When removing the door

- Use a 10 mm support under the door.
- Pull off the cover cap.
- Then pull out the upper roller main unit from the door while lower the lever. If it is difficult to install or detach the roller, loosen the nut as shown in the illustration. It will be easier if you slide the hanger bolt with a spanner wrench.

CAUTION

- Be careful not to let the door fall.



Final verification Verify that all screws are securely tightened. and verify that all screws have been used.

PERIODICAL INSPECTION

- Clean the inside of the track.
- Check the upper space and lower space of the door. If necessary, correct the space.

TROUBLESHOOTING

Trouble	Checkpoint	Solution
Abnormal noise during operation	Check if door touches adjacent parts.	Adjust the door depth position to avoid contact with other objects or adjust the position of floor guide.
	Check track rollers for aluminum dust.	Remove the track, then pull out and clean the roller.
	Check the track mounting screws for looseness.	Retighten the screws to free the roller.
Heavy door operation	Check if door bottom contacts the floor or floor guide.	Verify that the track mounting screws are not loosened. Then, adjust the door height such that the clearance between the door bottom and floor is 6 - 14 mm.
	Check if door touches adjacent parts.	Adjust the door depth position to avoid contact with other objects or adjust the position of floor guide.
Door does not move.	Check the upper track retaining screws for looseness.	Retighten the screws to free the roller.
Door starts to move.	Check if the upper track is set horizontally.	Using a level gauge, reset the upper track horizontally.