

Glass louver GR series Installation manual



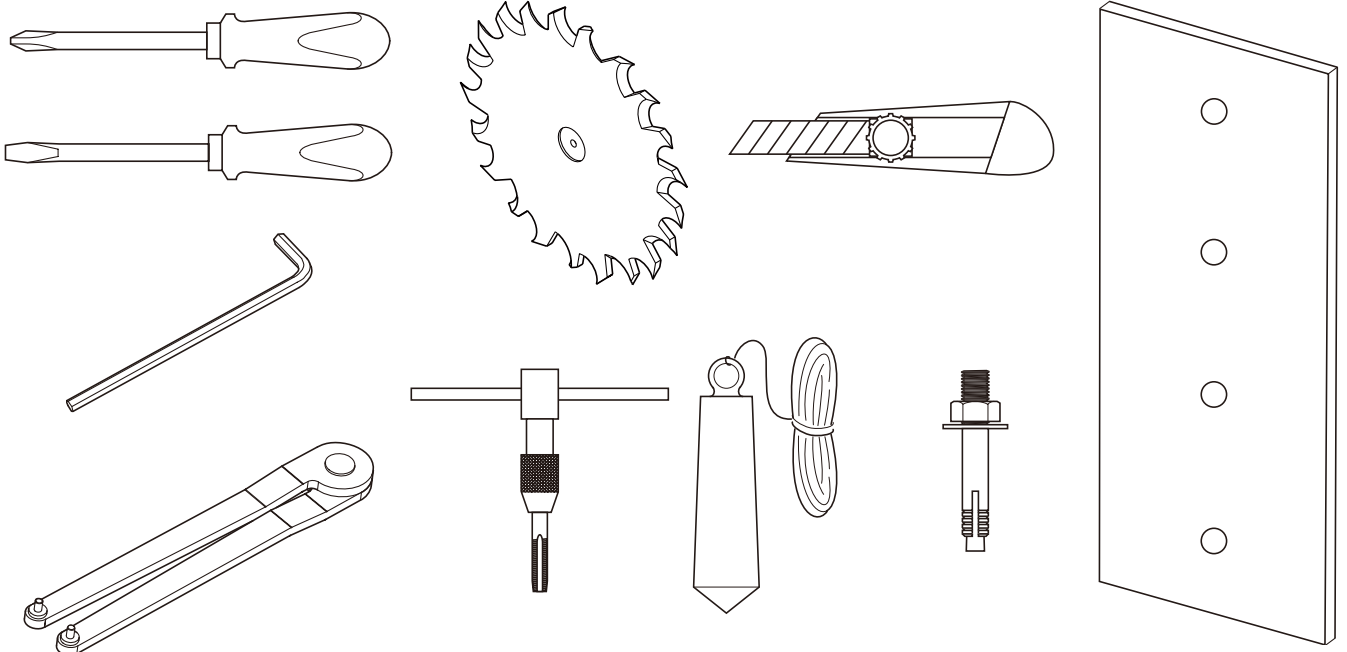
■ About the product

The GR series is a versatile and eco-friendly glass louver intended to hold glass panels. It is possible to change the angle of the panels. The louver can also be used as a holder of solar panels and cables can be drawn inside the column.

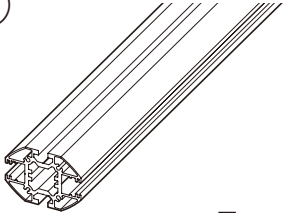
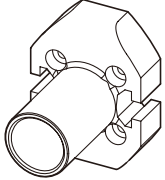

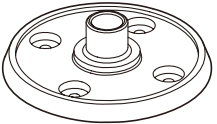

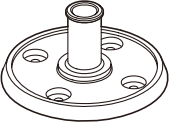

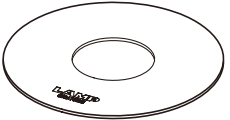
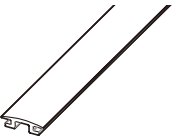




- Intended for indoor use (0 °C- 40 °C and humidity less than 90 %) .
- Make sure to install to a floor and ceiling that is strong enough to support the product.
- Make sure to check the quantity of point fixings required as well as the mounting positions as it depends on the size of the glass.

Tools needed for assembly

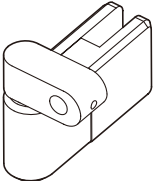
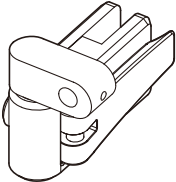
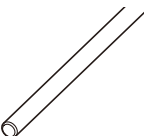



Parts needed (The needed quantity is per one[1] column.)

①  1 ×	②  2 ×	③ M5×25  8 ×	④  1 ×
⑤  1 ×	⑥  1 ×	⑦  1 ×	⑧  2 ×
⑨  2 ×	⑩  * 1 2 ~ 4 ×	⑪ M8×25  * 1 2 ~ 4 ×	

* 1 : May vary depending on the length of the glass.

Optional parts

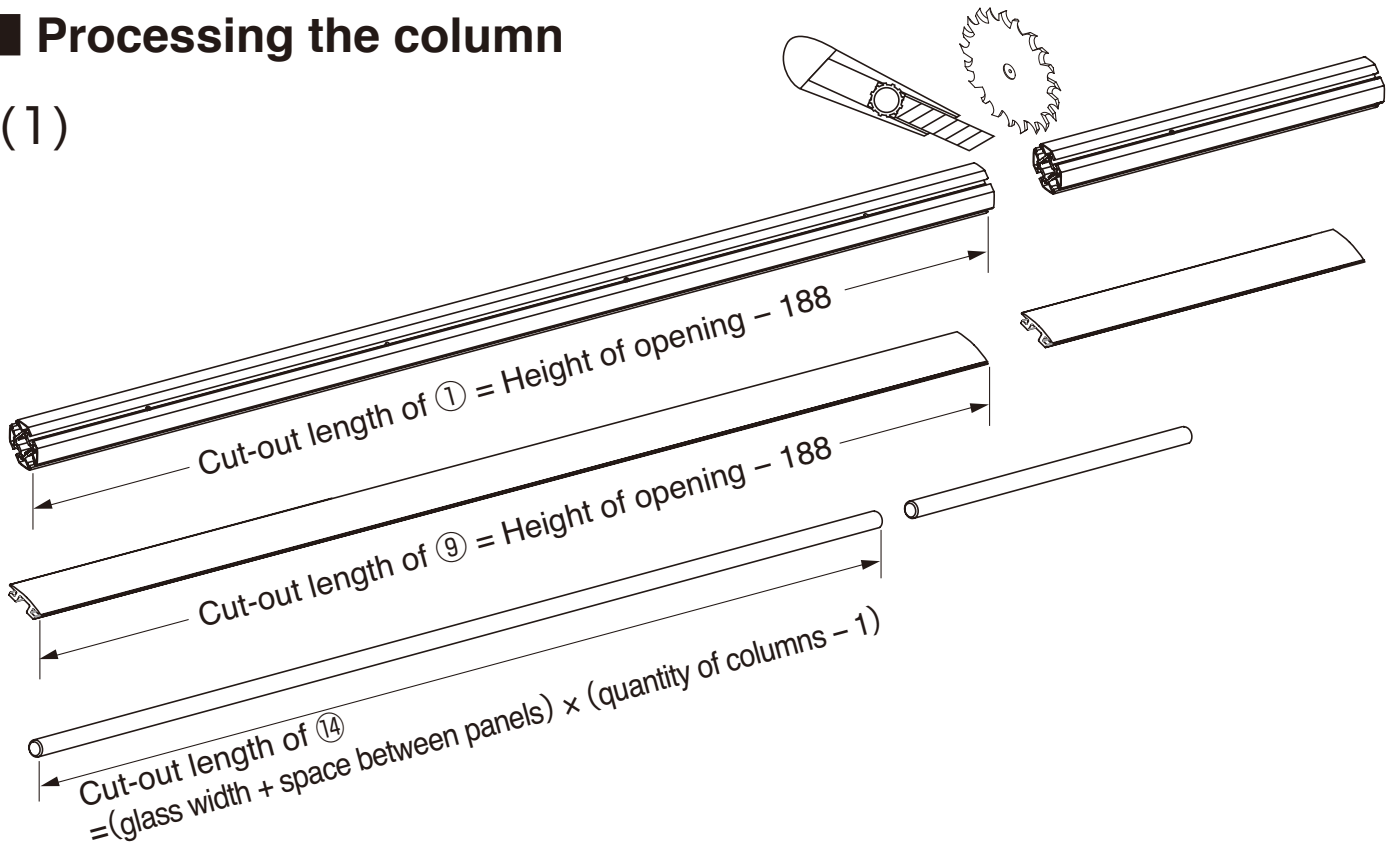
⑫  * 2	⑬  * 2	⑭  * 2	⑮  * 2
---	---	--	---

* 2 : Quantity of parts ⑫ - ⑮ needed.

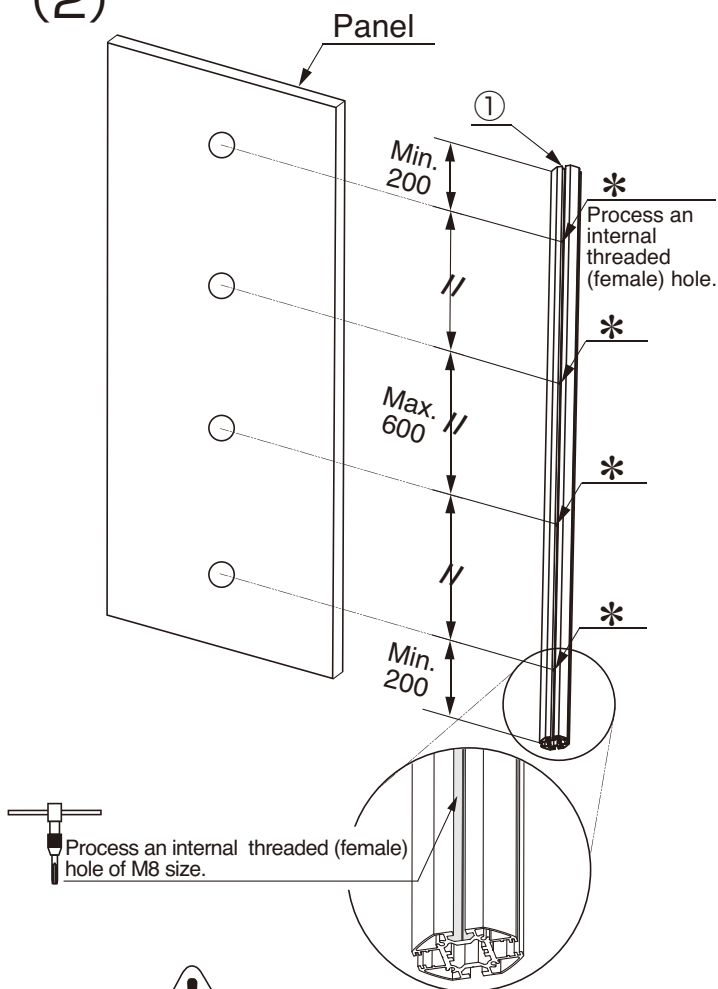
Number of columns	⑫	⑬	⑭	⑮
① × 1	0	0	0	0
① × 2	1	1	1	1
① × 3	1	2	1	1
① × 4	2	2	1	1

■ Processing the column

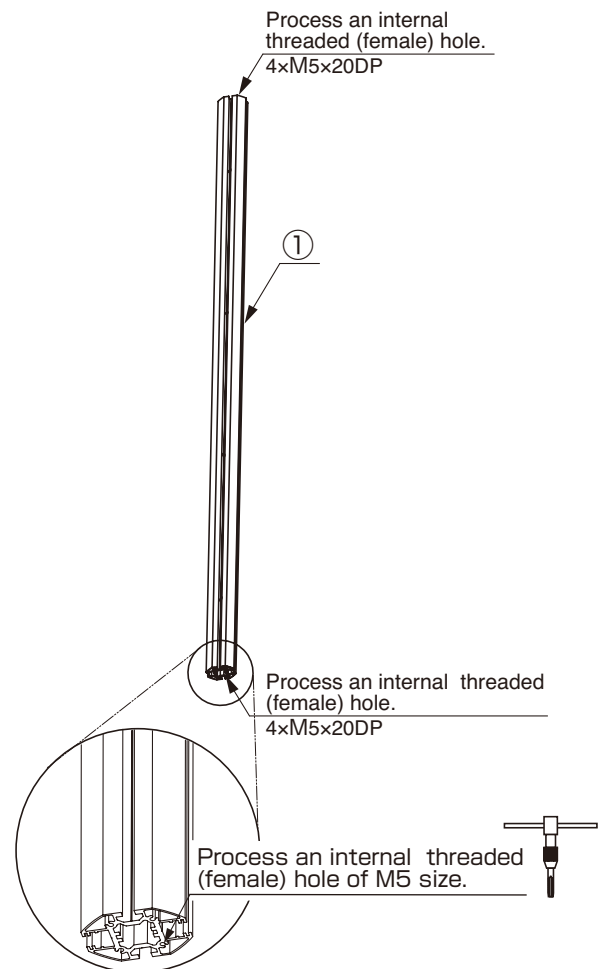
(1)



(2)



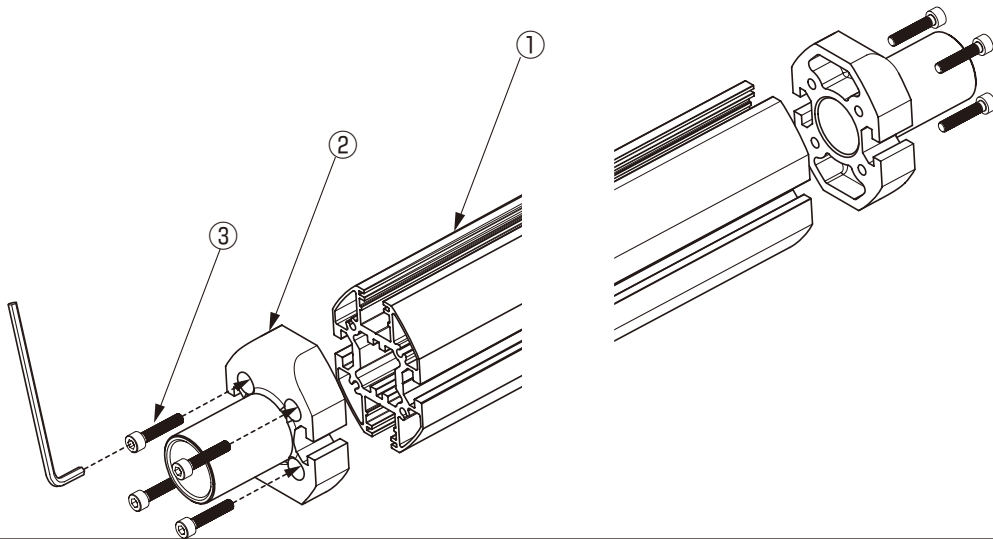
(3)



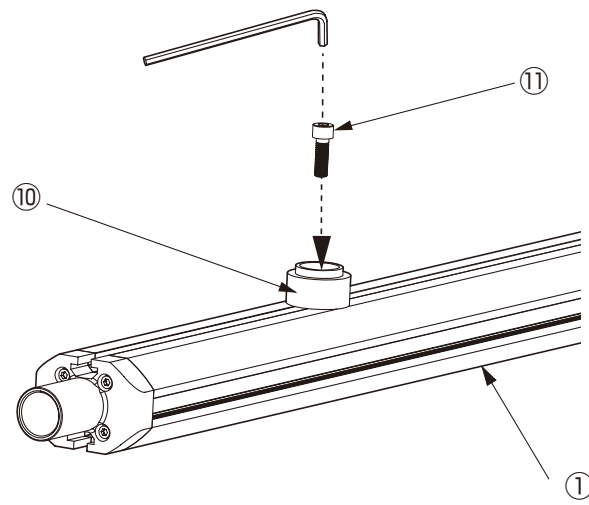
⚠ Match the holes of the panel and process holes in the column.

■ Mounting procedure

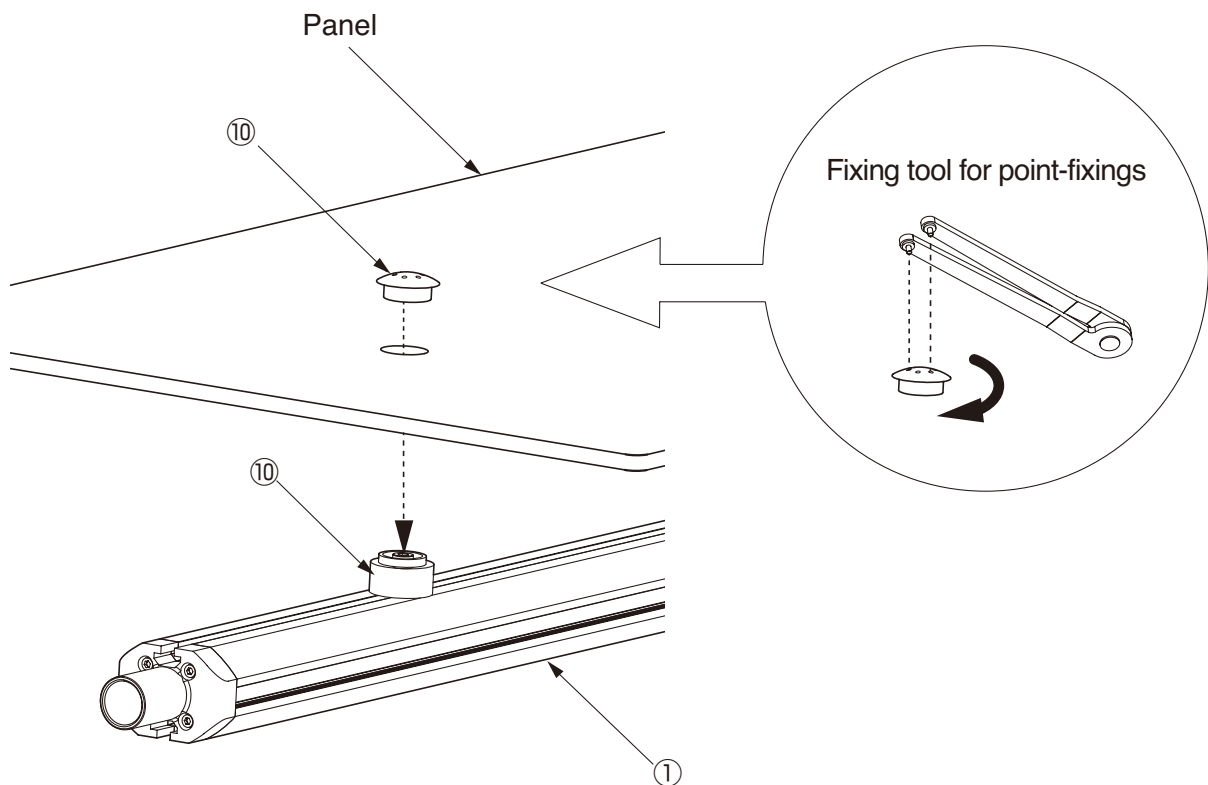
(1)



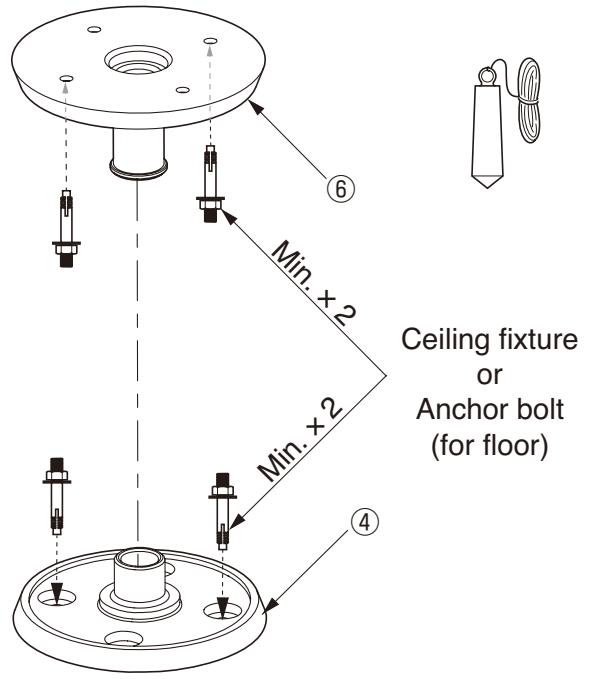
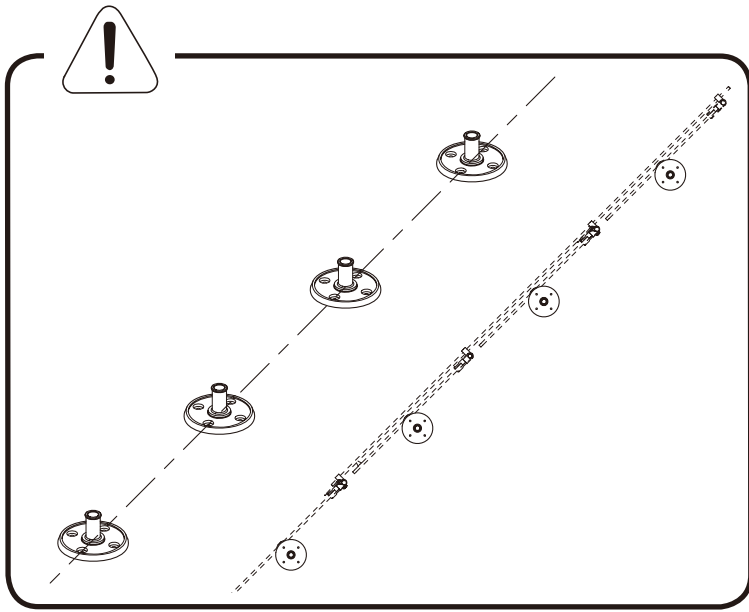
(2)



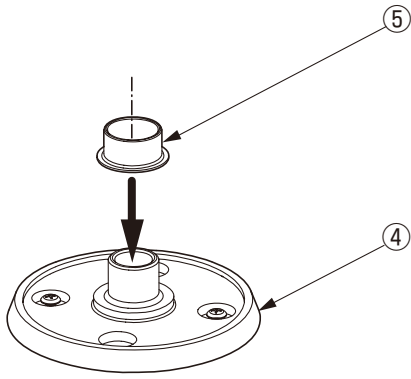
(3)



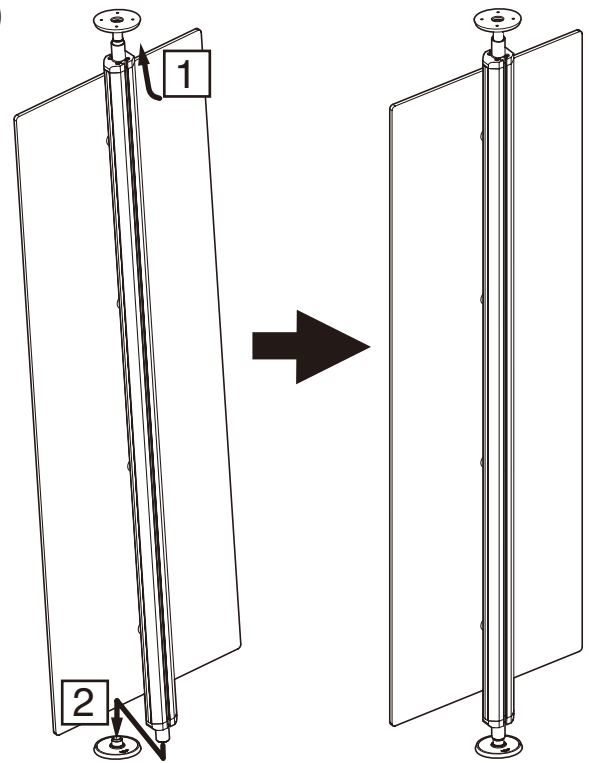
(4)



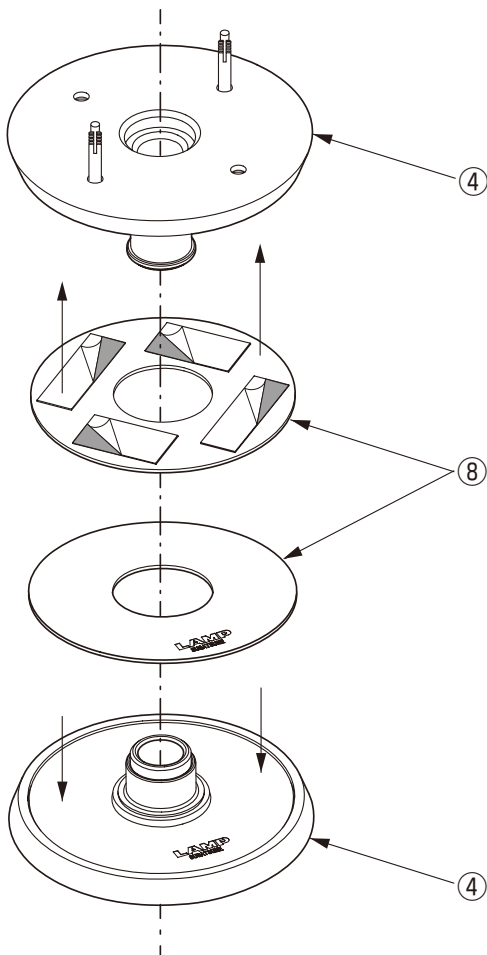
(5)



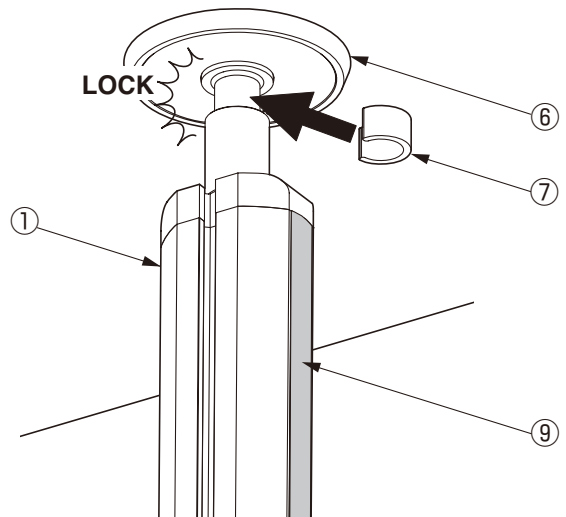
(7)



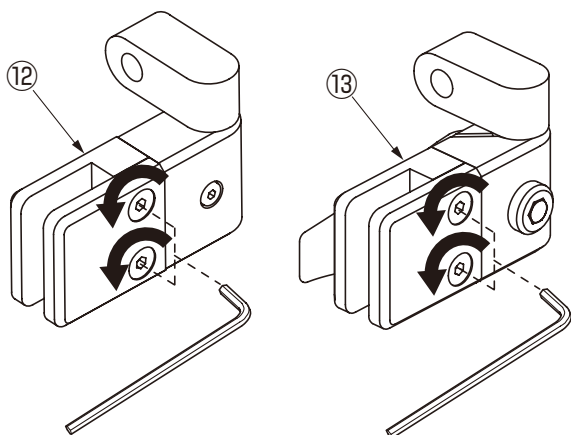
(6)



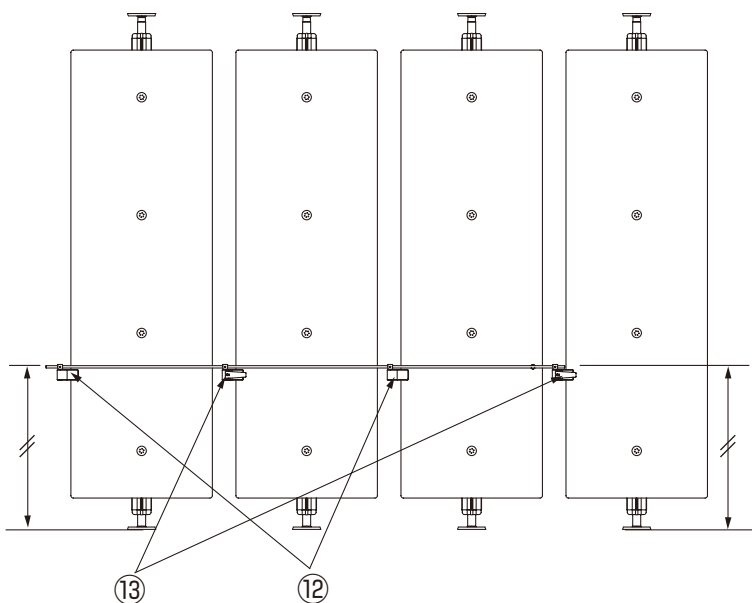
(8)



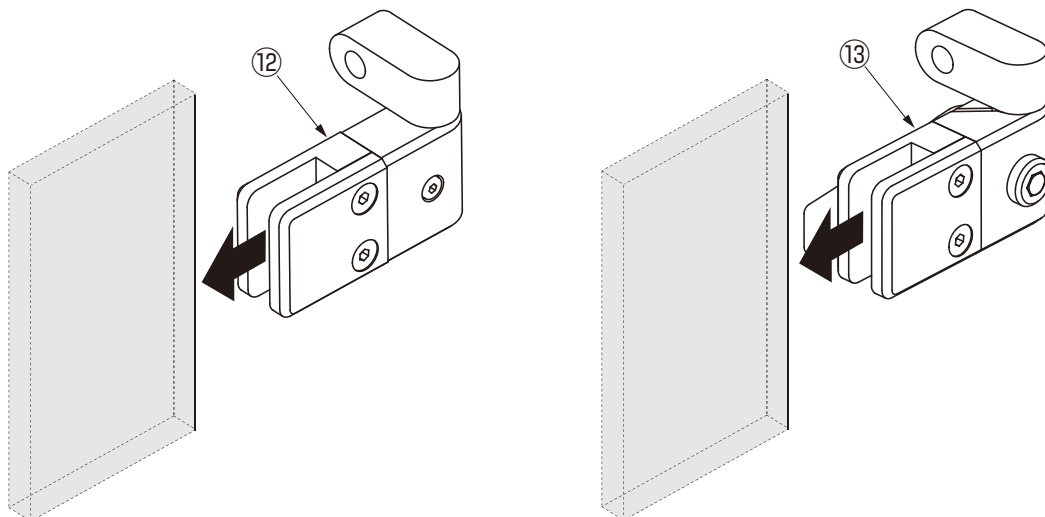
(9)



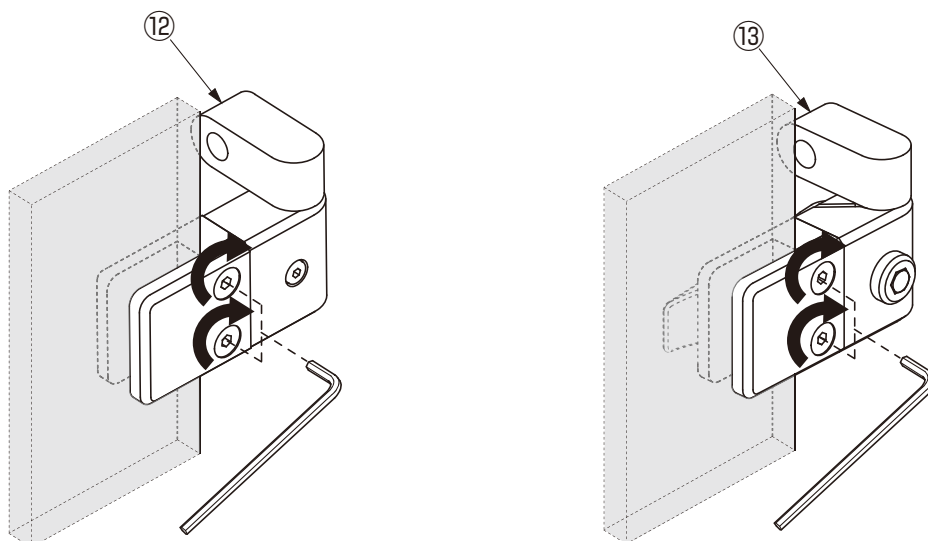
Make sure that ⑫ and ⑬ are mounted in the same direction.



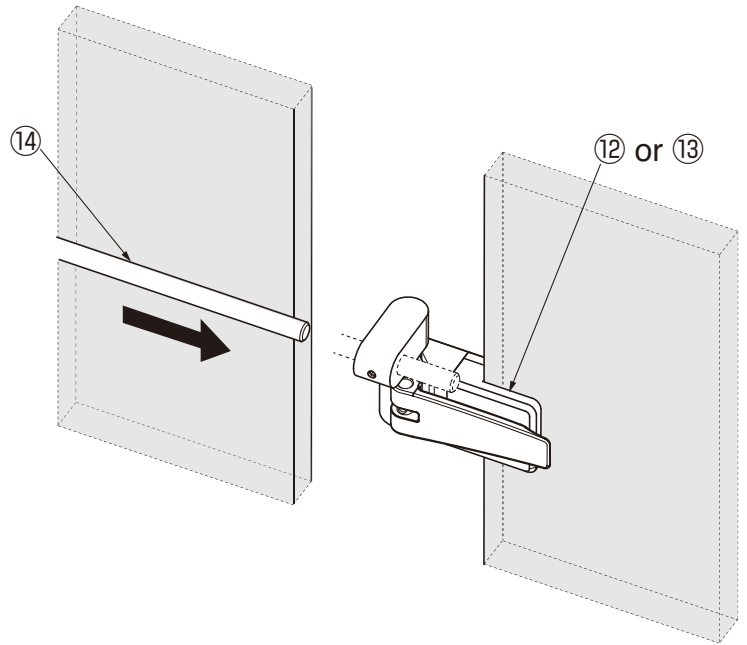
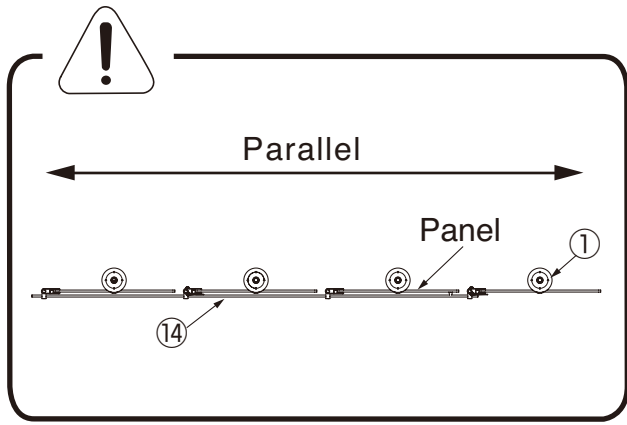
(10)



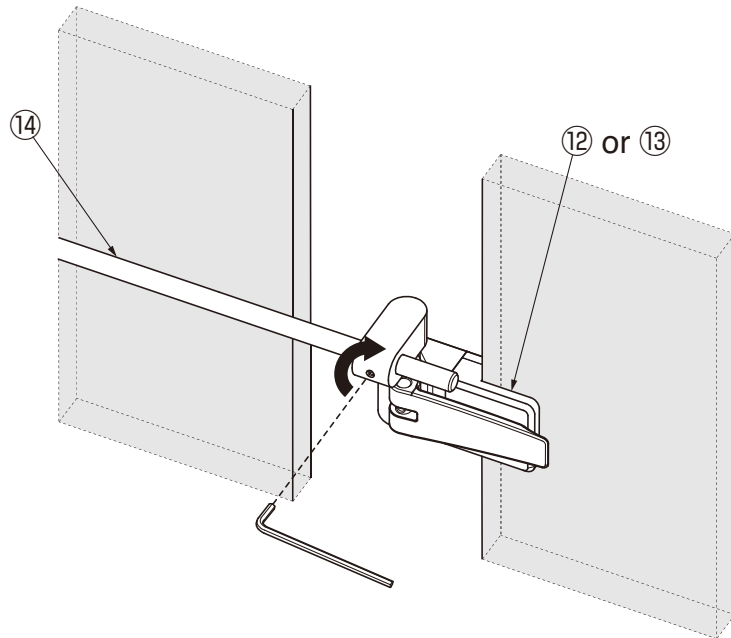
(11)



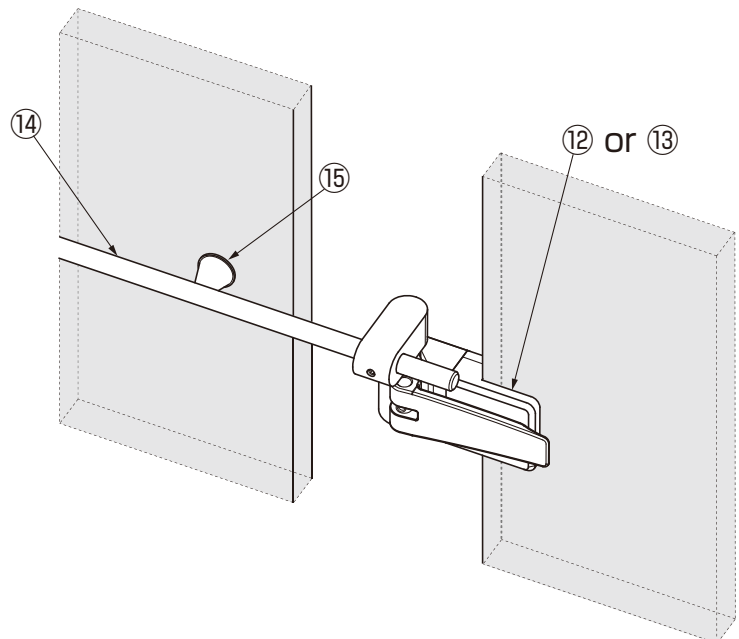
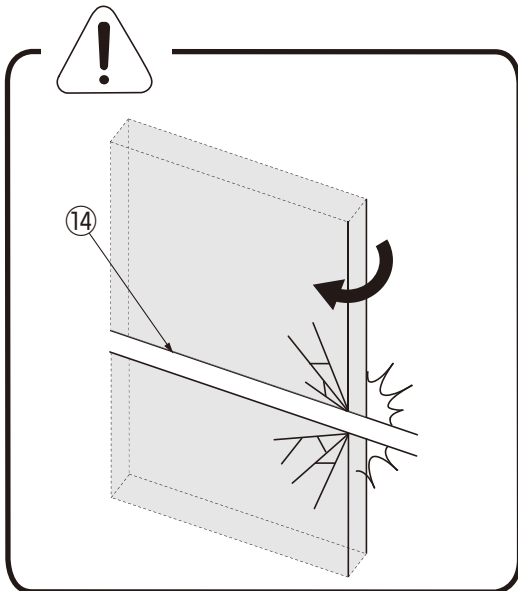
(12)



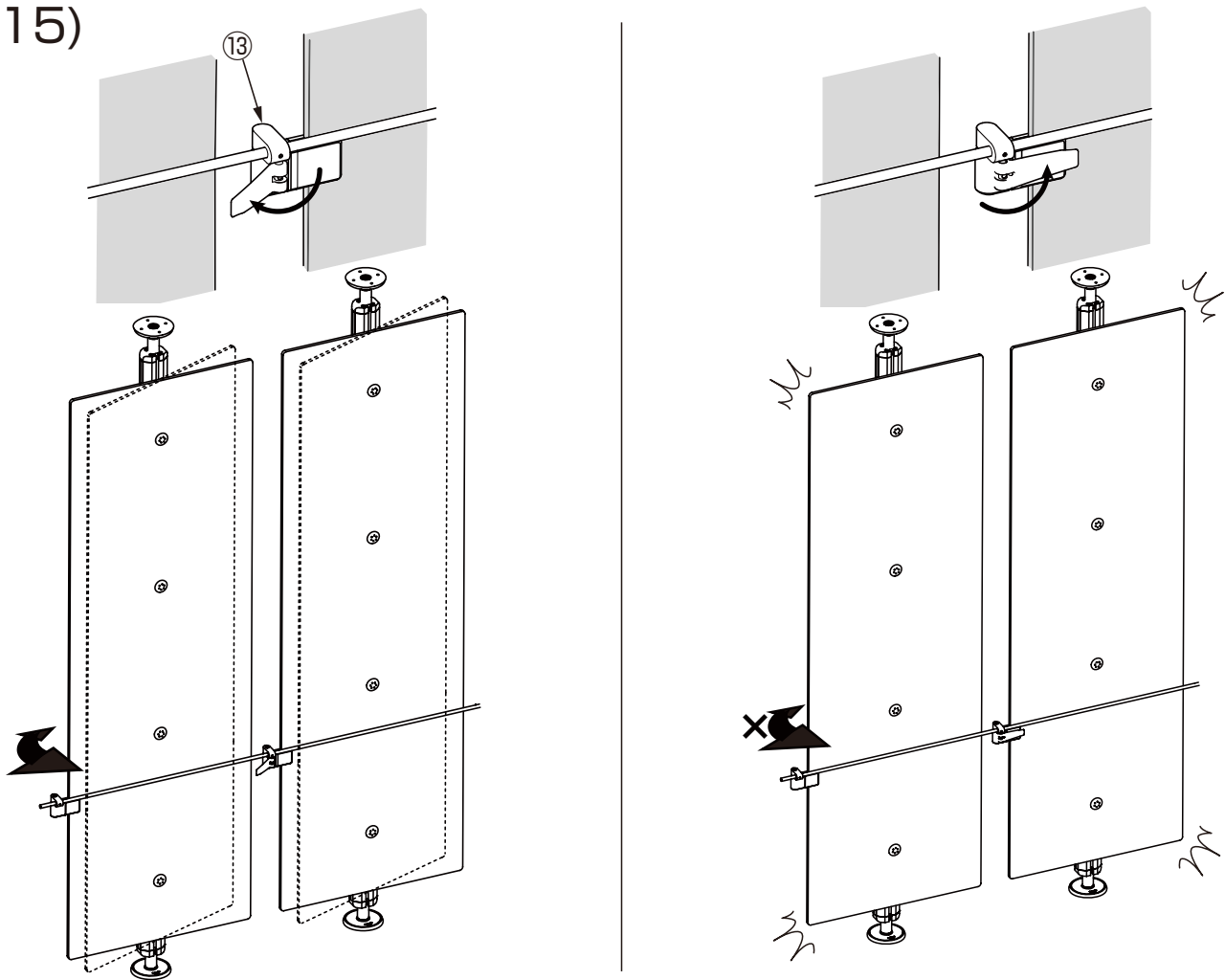
(13)



(14)

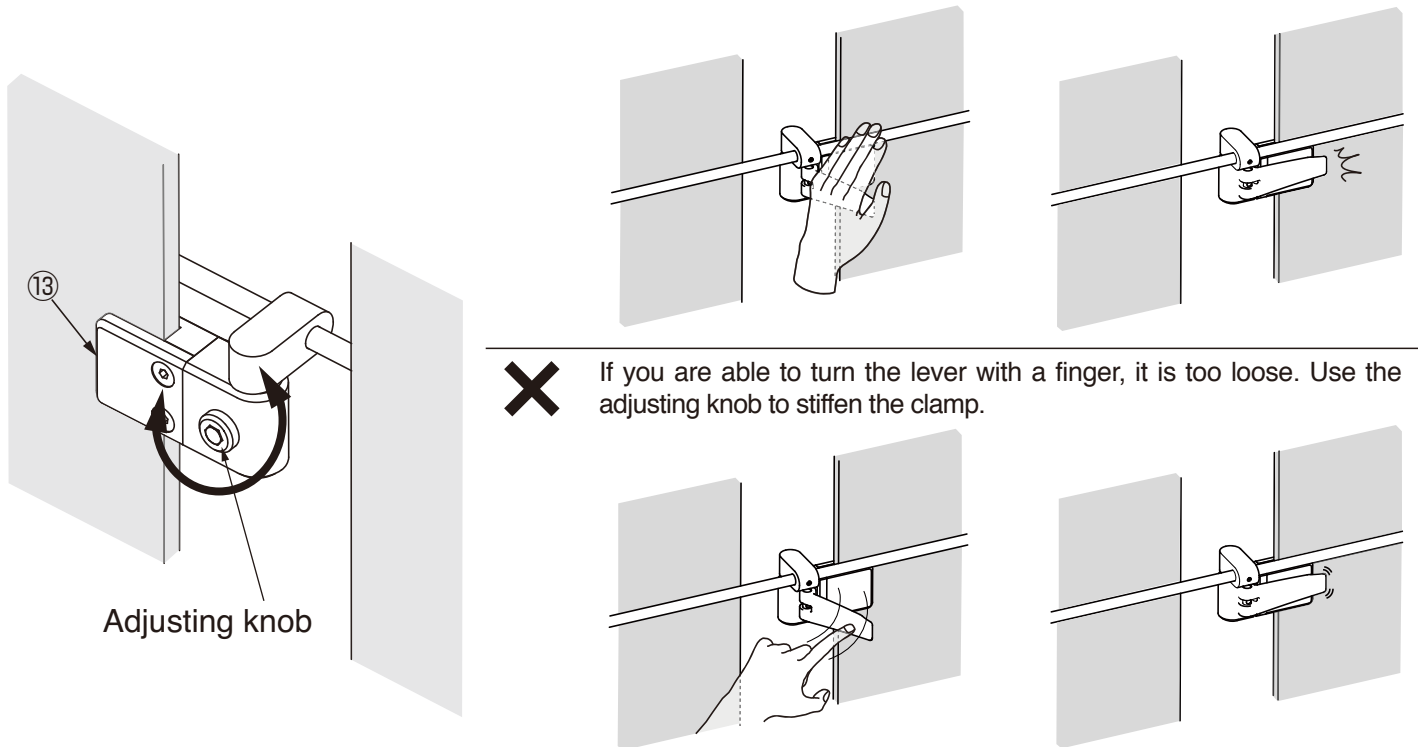


(15)



(16) Adjusting the stiffness of the clamp

OK Check if the stiffness is appropriate by trying to turn the lever. It should be so stiff that you need to use the palm of your hand in order to turn it.



SUGATSUNE KOGYO CO.,LTD.
 Phone: +81 3 3866 2260
 Fax: +81 3 3866 4447
 E-mail: export@sugatsune.co.jp
 Website: www.sugatsune-intl.com

SUGATSUNE KOGYO (UK) LTD.
 Phone: +44 118 9272 955
 Fax: +44 118 9272 871
 E-mail: sales@sugatsune.co.uk
 Website: www.sugatsune.co.uk

SUGATSUNE AMERICA, INC.
 Phone: +1 310 329 6373
 Fax: +1 310 329 0819
 E-mail: sales@sugatsune.com
 Website: www.sugatsune.com

SUGATSUNE SHANGHAI CO., LTD.
 Phone: +86 21 3632 1858
 Fax: +86 21 3632 1868
 E-mail: lamp@sugatsune.com.cn
 Website: www.sugatsune.com.cn