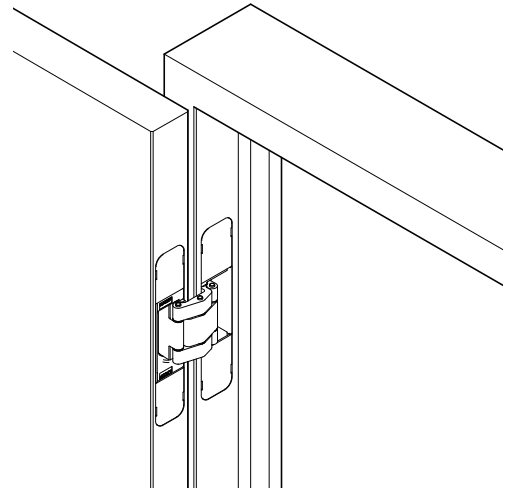


LAMP

HES
Hinge & Escap

INSTALLATION MANUAL FOR HES3D-120 CONCEALED HINGE

Thank you for using our product. Before installation, please read this manual thoroughly to ensure correct installation. Please keep this manual at hand for future reference.



ABOUT THE PRODUCT

- This product is a concealed hinge for indoor use that is recessed into door and doorframe.
- Three dimensional adjustment function allows vertical, horizontal, and depth adjustment.

DOOR SPECIFICATION

Min. Door thickness	29 mm
Max. Door weight	30 kg per 2 hinges, 40 kg per 3 hinges
Max. Door size	Width: 900 mm, Height: 2400 mm

COMPONENT PARTS (PER BOX)

• Concealed hinge	2 pcs
• Screw cover	4 pcs × 2 bags
• Template	1 pc
• Countersunk head tapping screw 5×20	4 pcs × 2 bags
• Hex Key 3 mm	1 pc

FOR YOUR SAFETY AND CORRECT INSTALLATION

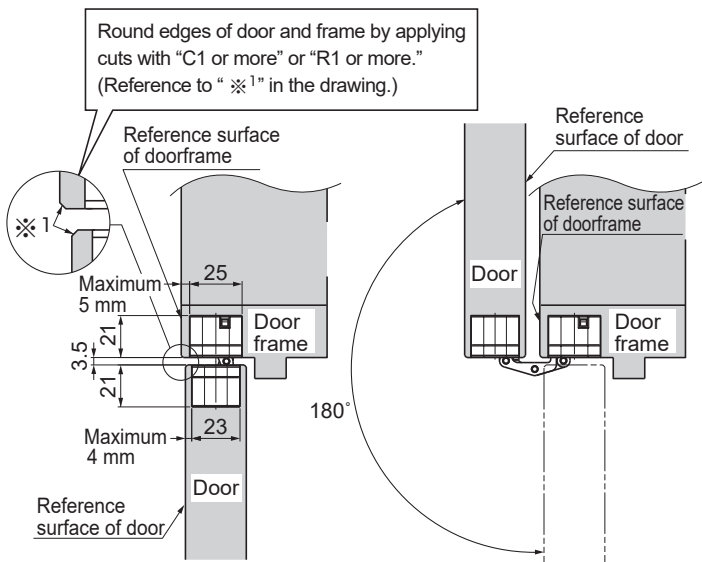
Meaning of symbols

Warning Caution	Prohibited	Required
------------------------	-------------------	-----------------

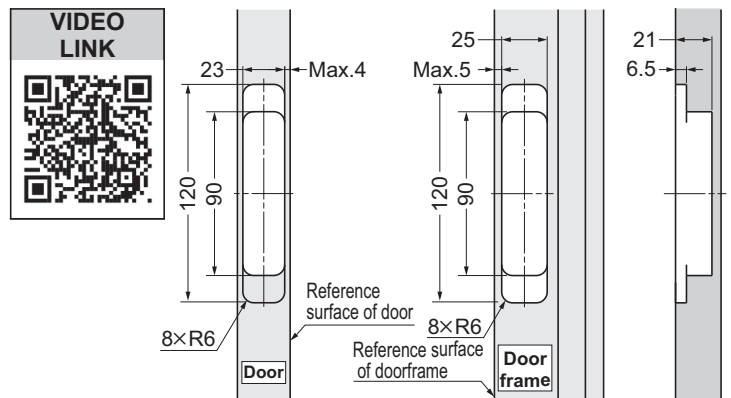
Caution: If not followed, injury or damage may result.

- ❗ Provide a frame that can withstand the weight and impact of opening and closing the door. Be sure to use the specified screws and tighten them securely. If the mounting strength is insufficient, the door may fall and cause injury.
- ⊘ Do not use this product for any other purpose, or with doors that are outside the specifications of this manual.
- ⊘ Use in conjunction with a door closer is not recommended. For soft-close option, we recommend Sugatsune LDD-V or LDD-S door damper. When using a door restrictor, please use HES3D-120-A100 instead.
- ❗ Follow the specified dimensions, specifications, and alignment of the door and frame. Warping, tilting or twisting of the frame or door may cause failure.
- ❗ This product is a part for architectural fittings. After installation, please check the function and safety of the final product. Please inform the end user how to use the product safely.
- ❗ Make sure to test the screws for slack at regular intervals (one month from first usage, half year and then one time every year is recommended).

INSTALLATION DRAWING (EXAMPLE)

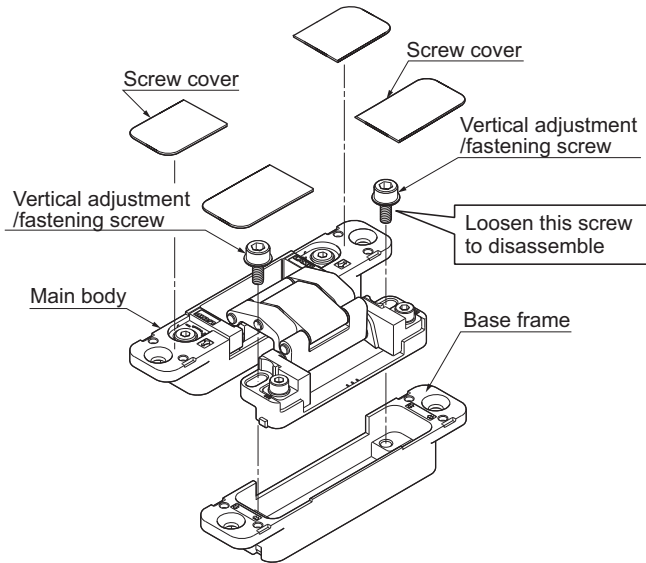


CUT OUT DRAWING FOR DOOR AND DOORFRAME

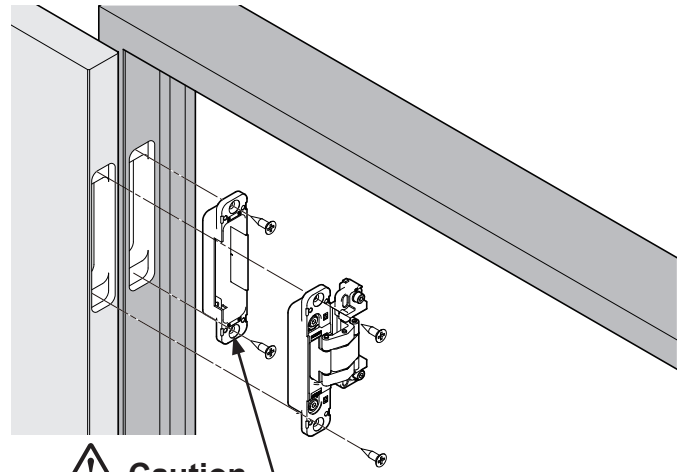


INSTALLATION PROCEDURE

1 Disassembly of Hinge



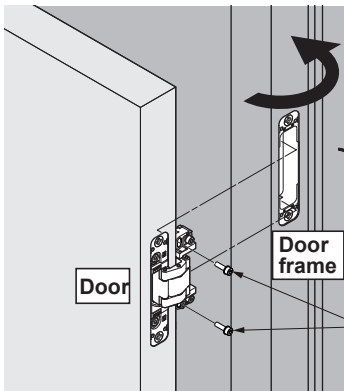
2 Installing Hinge to Door and Door frame



Caution

Before installing base frame into doorframe, check that it is oriented correctly. If the orientation is incorrect, the door cannot be installed.

3 Hanging Door



- [1] Insert each hinge body (door side) deep into the base frame.
- [2] Hang the hinge body on the base frame. (Provisional holding state).

Caution

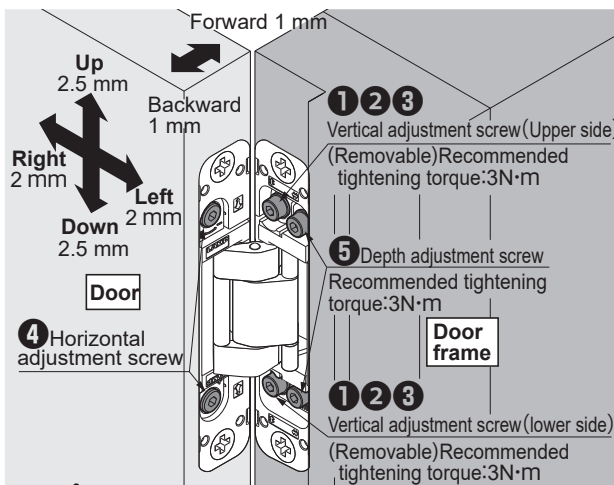
Do not move the door at this stage as it may fall off.

- [3] While supporting the door, quickly tighten and secure the up and down adjustment screws to the position shown on the left.



ADJUSTING DOOR POSITION

※ Adjustment direction indicates the direction with the door closed.



①—⑤ is the order of adjustment. Please put a supporting spacer under the door when adjusting it. There are two adjustment screws on one hinge.

Vertical adjustment

- ① Loosen the adjusting screw one turn.
- ② Lifted the door to the correct height.
- ③ Finally, secure the adjusting screw.

Horizontal adjustment

- ④ Rotate the adjustment screw to the correct position.

Depth adjustment

- ⑤ Loosen the adjusting screw one turn and secure it in the optimum position.

Caution

When adjusting the horizontal position, turn the two screws a little, by the same amount. The hinge may be broken if you keep turning one screw only. If you turn the adjustment screw to the right beyond the adjustment range, the parts will protrude, and the cover won't fit, and if you turn it further, the door will come off.

Do not remove the depth adjustment screw. The door may fall and cause injury.

Attaching the Screw Cover

