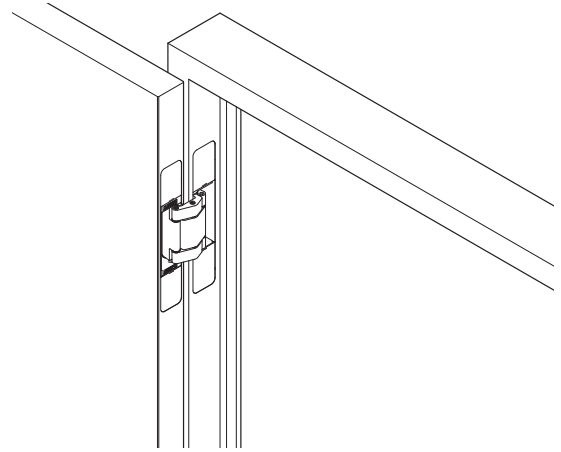


**LAMP****HES**  
Hinge - Expert

# INSTALLATION MANUAL FOR HES3D-E160 CONCEALED HINGE

Thank you for selecting our product. Before starting installation, please read this manual thoroughly to ensure correct installation. Please keep this manual at hand for future reference.



## ABOUT THE PRODUCT

- This product is a concealed hinge for indoor use, that is recessed into the cut out on door and doorjamb.
- Three dimensional adjustment function allows vertical, horizontal, and depth adjustment.

## DOOR SPECIFICATION

Min. Door thickness	36 mm
Max. Door weight	55 kg per 2 hinges, 70 kg per 3 hinges
Max. Door size	Width: 900 mm, Height: 2400 mm

## COMPONENT PARTS (PER BOX)

• Concealed hinge	2 pcs
• Screw cover	4 pcs x 2 bags
• Template	1 pc
• Countersunk head tapping screw 5×25	8 pcs x 2 bags
• Hex Key 4mm	1 pc

## FOR YOUR SAFE WORK AND CORRECT INSTALLATION

### Meaning of symbols

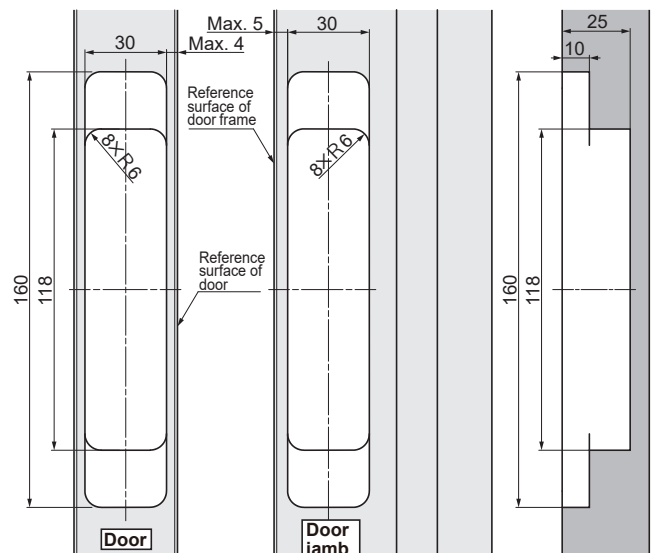
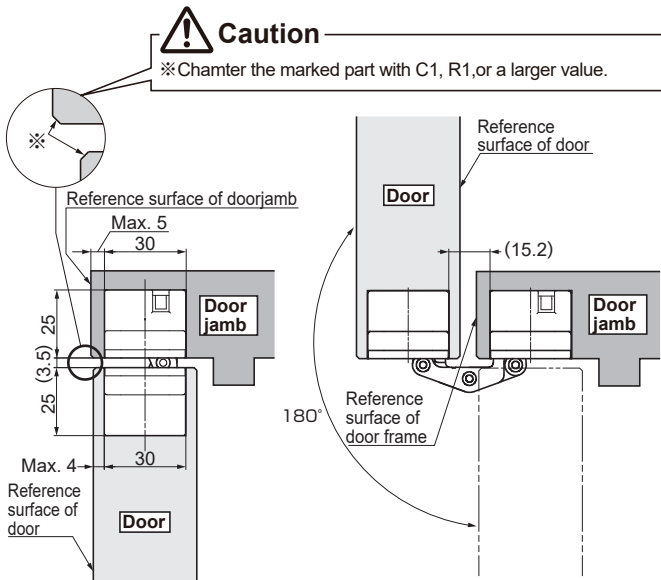
	<b>Warning Caution</b>		<b>Prohibited</b>		<b>Required</b>
--	------------------------	--	-------------------	--	-----------------

### **Caution: If not followed, injury or damage may result.**

- ❗ It is necessary to manufacture the frame with sufficient strength so that it endures the weight of the door and any impact upon opening/closing the door. Only use designated screws and ensure that they are fastened firmly. A frame with poor strength or loose screws might result in the door falling and causing injury.
- ⊘ Do not try to use this product for anything other than its original purpose. Do not use any part for applications outside of its specification.
- ⊘ Use in conjunction with a door closer is not recommended. For soft-close option, we recommend Sugatsune LDD-V or LDD-S door damper.
- ❗ Make sure to follow the designated dimensions, specifications, and horizontal/vertical angles. Make sure that the frame is not warped, since it may affect the movement of the door.
- ❗ This product is a part for architectural fittings. After installation, make sure to test the finished product thoroughly to ensure that it is well-functioning and safe. Please inform the end user about general precautions and safety to prevent improper use.
- ❗ Make sure to check the screws for slack at regular intervals (one month from first usage, half a year, and then one time every year is recommended).

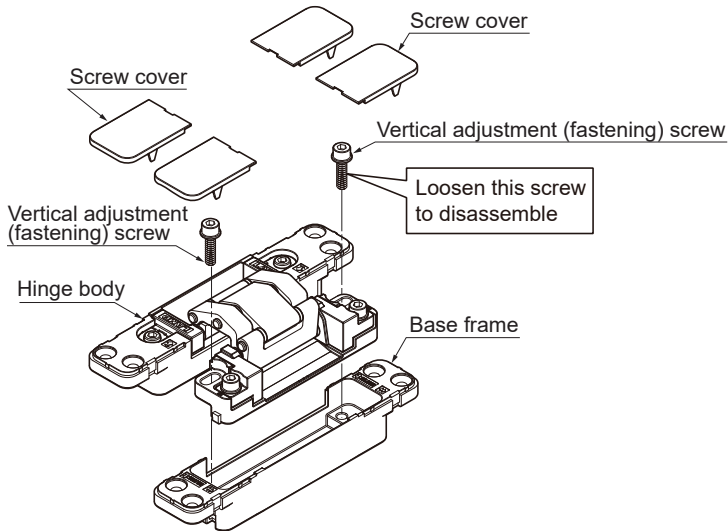
## INSTALLATION DRAWING (EXAMPLE)

## CUT OUT DRAWING FOR DOOR AND DOORJAMB

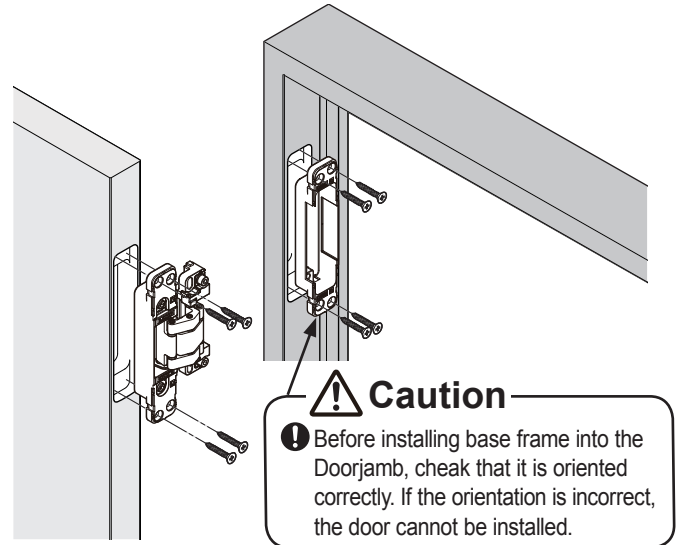


# INSTALLATION PROCEDURE

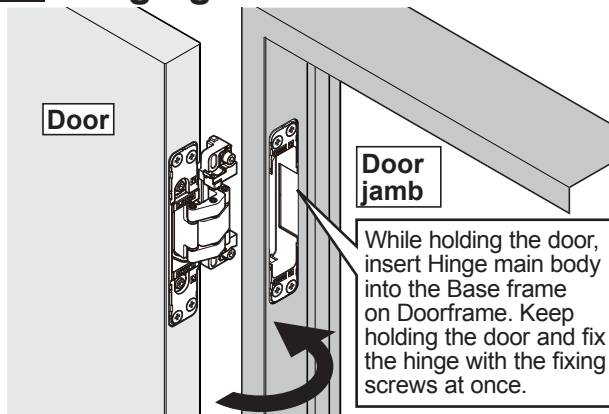
## 1 Disassembly of Hinge



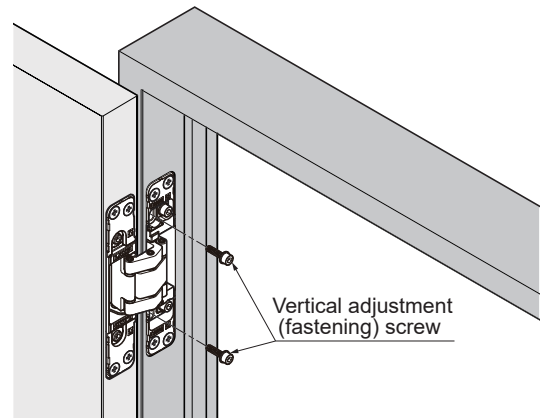
## 2 Installing Hinge to Door and Doorjamb



## 3 Hanging Door

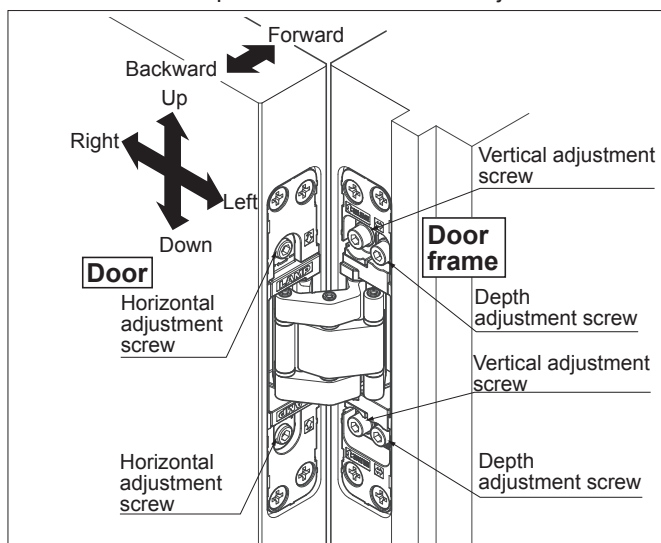


## 4 Fastening Removable Screws



## ADJUSTING DOOR POSITION

The arrows should point in the direction of adjustment when the door is closed.



- When adjusting the vertical position or the depth, loosen the screws 360-degree, then hold the door at the suitable position and re-tighten the screws. Use wedges to support the door. (Tightening torque is 4.9 N·m.)
- When adjusting horizontal position, turn Horizontal adjustment screw. (There are two screws per hinge.) The gap between Door and Frame will be expanded by turning the screw clockwise.

### Caution

- ⊘ Do not remove the depth adjustment screw. The door may fall and cause injury.
- ⚠ When adjusting the horizontal position, turn the two screws a little, by the same amount. The hinge may be broken if you keep turning one screw only.
- ⚠ Horizontal adjustment range is +3 mm/-2 mm. When turning the screw to the right, if you move the part more than 2 mm, the cover cannot be put on, since the part protrudes. If you still turn the screw, the door will fall.

**SUGATSUNE KOGYO CO.,LTD**  
Tokyo, JAPAN  
Phone: +81 (0)3 3866 2260 E-mail:export@sugatsune.co.jp

**SUGATSUNE KOGYO (UK) LTD**  
Reading, UK  
Phone: +44 118 9272 955 E-mail:sales@sugatsune.co.uk

**SUGATSUNE SHANGHAI Co., LTD**  
Shanghai, CHINA  
Phone: +86 21 3632 1858 E-mail:lamp@sugatsune.com.cn

**Guangzhou, CHINA**  
Phone: +86 20 6639 3552 E-mail:lamp@sugatsune.com.cn

**SUGATSUNE AMERICA, INC**  
California, USA  
Phone: +1 310 329 6373 E-mail:sales@sugatsune.com

**Chicago, USA**  
Phone: +1 312 461 1081 E-mail:chicagoshowroom@sugatsune.com.

**SUGATSUNE EUROPE GmbH**  
Düsseldorf, GERMANY  
Phone: +49 211 53812900 E-mail:sales@sugatsune.eu

**SUGATSUNE KOGYO INDIA PRIVATE LIMITED**  
Mumbai, INDIA  
Phone: +91 22 28314490/91 E-mail:sales@sugatsune.in

ISO9001(Japan Offices and Sugatsune America) and ISO14001(Chiba Production division and Logistics center), certified.

**SUGATSUNE CANADA, INC.**  
Phone: +1 514 312 5267 E-mail:support@sugatsune.ca