

# LAMP® HG-RNM30 Torque Hinge Installation Instructions

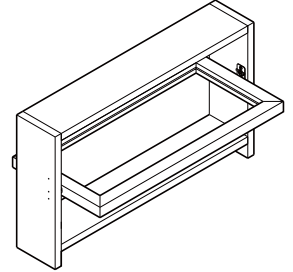
Thank you for selecting our products.  
 Read the instructions carefully first to ensure correct installation.  
 After reading the instructions and installing the product, keep this guide handy for easy reference at any time.

## Meaning of Symbols

	Indicates actions that require "Caution".
	Indicates "Prohibited" actions.
	Indicates "Required" actions that must be done.

## About the product

- Use: Indoor rotary transom window
- Range of use: Window size; Max. W900mm x H450mm x t35mm, Max. Weight: 5.5 kg
- Operating temperature range: 0-40°C
- Merits:
  - Enable a transom window with large ventilation by rotating.
  - Easy conditioning of air flow by torque hinge.
  - Lock mechanism of the hinge prevents the window from dropping out.
  - No-tool removing of the window helps easy cleaning.
  - Detent of the hinge lock enables the window to be removed by both hands.



## ⚠️ Precautions for Use

If these cautions are not followed, it may result in injury or damage.

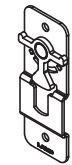
- ⊗ This product is for indoor use only. Do not use outside or anywhere where it will be exposed to water.
- ⊗ Do not use lubricant on the hinges as it may damage the hinges.
- ⊗ Operating torque of transom window varies according to the room temperature or wind pressure.
- ⊗ Do not use the hinge for a transom window which is exposed for strong wind pressure.

## Specifications

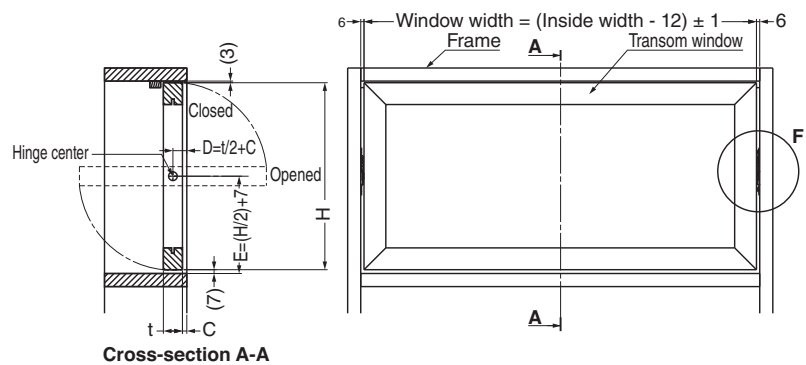
Order code	Part No.	type	Torque / per pair
170 - 029 - 733	HG-RNM30	Torque Hinge · Bracket	3.0 ±20% N·m(30.6±20% kgf·cm)
170 - 033 - 319	HG-RNM30 - SET	Torque Hinge · Bracket · Screws	

## Component Parts

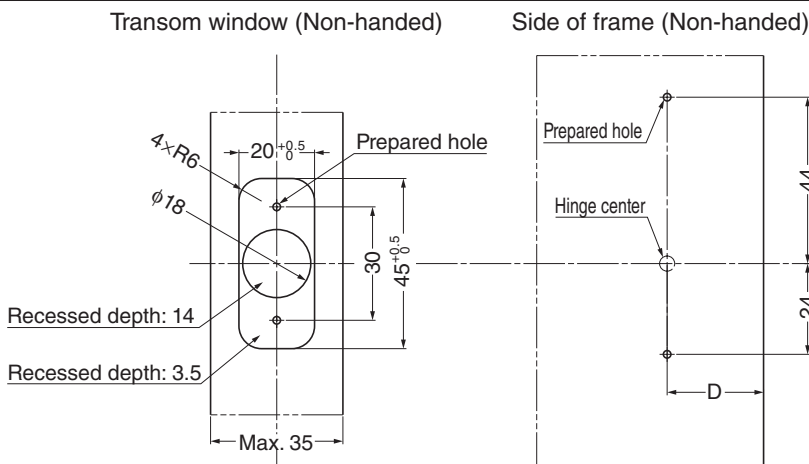
- ① Bracket ..... 2 pcs
- ② Torque Hinge ..... 2 pcs
- Screws (Not provided)
- ③ Pan head tapping screw 4mmx20mm ..... 4 ea.
- ④ Flat countersunk head tapping screw 4mm × 20mm 4 ea.



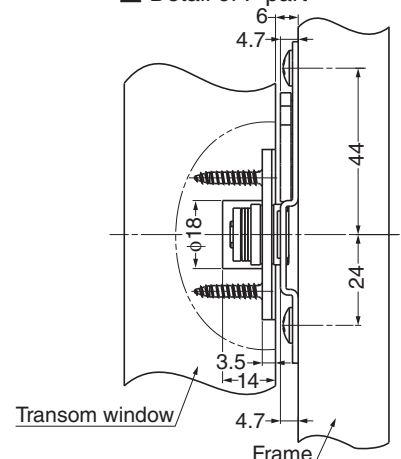
## Installation example



## Mounting position

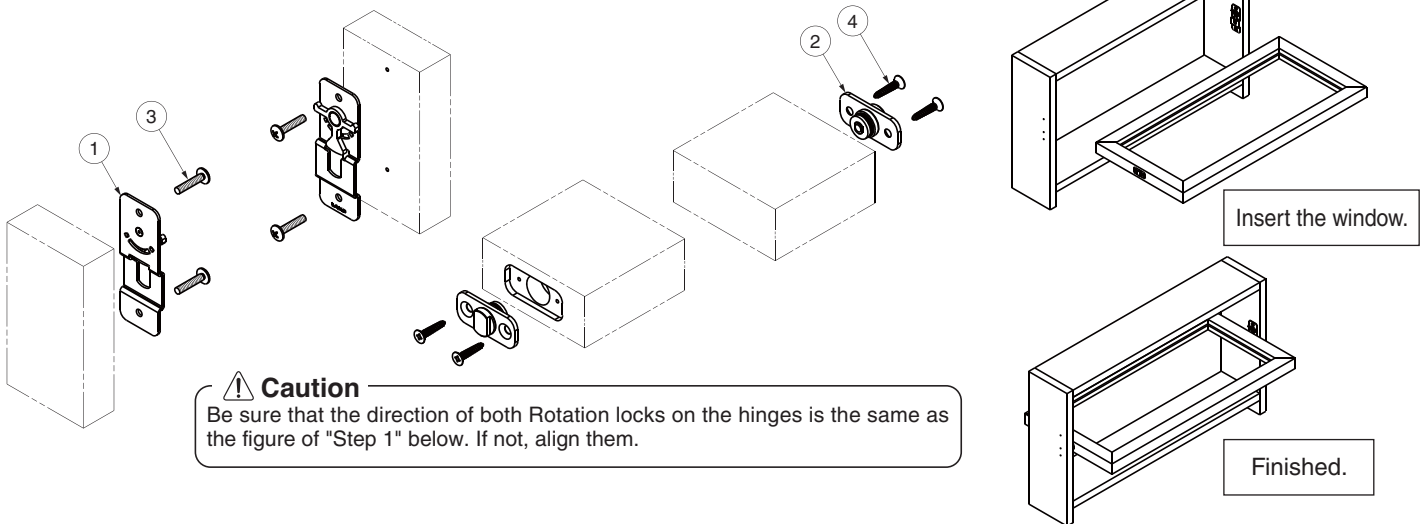


### Detail of F part

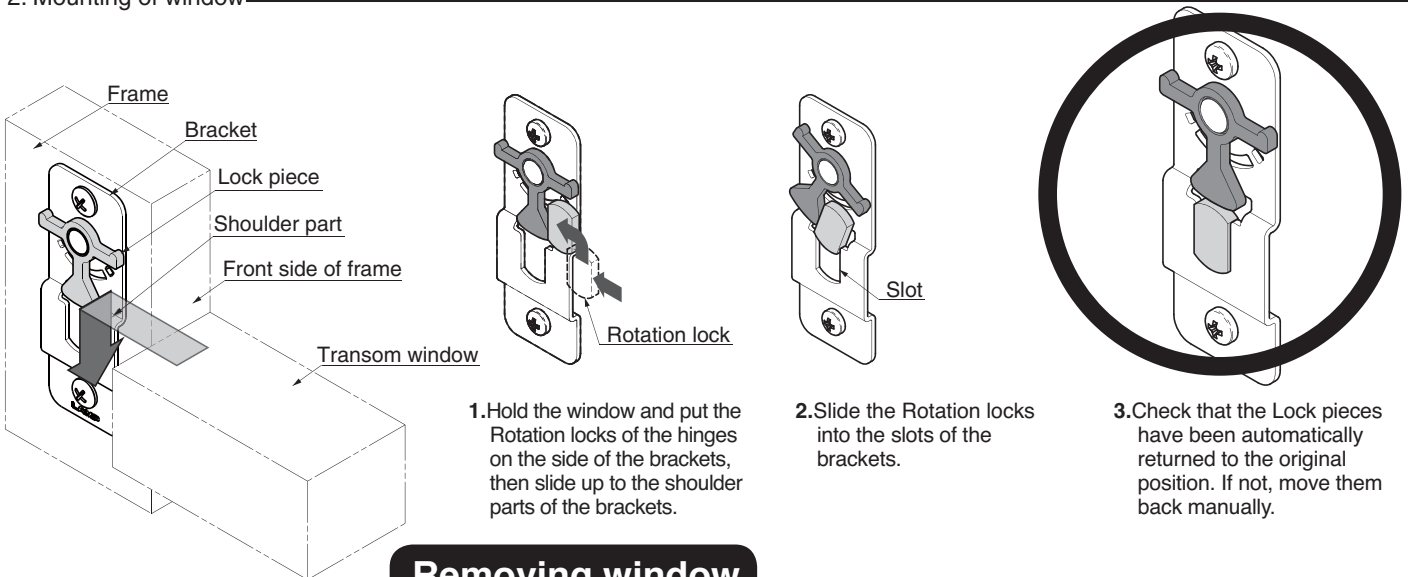


# Installation Procedure

1. Mount ① Bracket to the frame, ② Hinge to the transom window.



2. Mounting of window

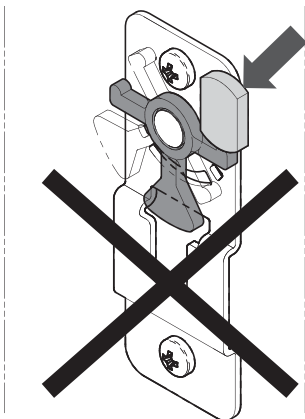


1. Hold the window and put the Rotation locks of the hinges on the side of the brackets, then slide up to the shoulder parts of the brackets.

2. Slide the Rotation locks into the slots of the brackets.

3. Check that the Lock pieces have been automatically returned to the original position. If not, move them back manually.

## Prohibited



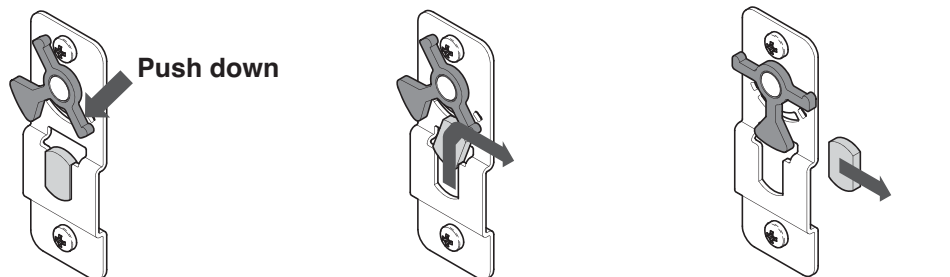
Do not put the Rotation locks on the Lock pieces. The parts may be damaged.

## Removing window

Rotate the window to the horizontal position and start from Step 4.

### Caution

In order to pull out the transom window, be sure to rotate the lock pieces to the direction as below. If it was rotated in the opposite direction, the lock piece would be damaged.



4. Rotate both lock pieces to the detent position.

5. Raise the window by both hands and pull it out.

6. Check that the Lock pieces have been automatically returned to the original position. If not, move them back manually.

SUGATSUNE KOGYO CO.,LTD.  
Phone: +81 3 3866 2260  
F a x : +81 3 3866 4447  
E-mail: export@sugatsune.co.jp  
Website: www.sugatsune-intl.com

SUGATSUNE KOGYO (UK) LTD.  
Phone: +44 118 9272 955  
F a x : +44 118 9272 871  
E-mail: sales@sugatsune.co.uk  
Website: www.sugatsune.co.uk

SUGATSUNE AMERICA, INC.  
Phone: +1 310 329 6373  
F a x : +1 310 329 0819  
E-mail: sales@sugatsune.com  
Website: www.sugatsune.com

SUGATSUNE SHANGHAI CO., LTD.  
Phone: +86 21 3632 1858  
F a x : +86 21 3632 1868  
E-mail: lamp@sugatsune.com.cn  
Website: www.sugatsune.com.cn