

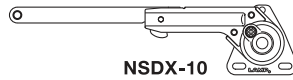
- Please read this instruction sheet carefully for proper installation and operation. Incorrect installation and improper use of the product may damage the unit or cause injury.
- This stay is designed for furniture or lightweight door and is equipped with a damping function.
- Sugatsune guarantees the quality of this product as for all its parts. It cannot however guarantee the final assembly as a whole.
- This product was manufactured and delivered with our utmost care. Should you however find any defect, please contact your dealer immediately.
- Sugatsune warrants that this product is free from defect for a period of one (1) year from the date of delivery.
- Sugatsune liability is limited to the replacement of this product by a similar one free of defect. In no case does this extend to the replacement of the installation or the cabinet as a whole.
- Please keep these instructions at hand for future use.
- Sugatsune cannot be held liable for any damage or injury caused by improper use or one different than the one this product was designed for.

**CAUTIONS** Any failure to observe the following precautions may result in personal injury or damage to the cabinet

- ❗ Make sure that installation position and specifications are followed. Unsuitable installation position may damage the mechanism when in case two stays are used together.
- ❗ Make sure that the arm of the stay is parallel with the side panel of the cabinet.
- ❗ Please don't place any item / load on the cabinet doors during in the open position. Also please make sure to use a support for the door / flap while doing installation.
- ❗ This product is designed to operate at room temperatures between 0°C to 40°C (32F-104F).
- ❗ Please avoid forced opening beyond the opening angle, and using excessive force while opening the door.
- ❗ This product has a spring at the elbow section. Please be careful not to get your fingers caught in elbow section while you are handling the unit.
- ❗ Performance of hardware will be affected by unique factors in each application. Hardware must be tested in intended application to confirm the function.
- ❗ It is necessary to periodically check the fixing screws for loosening. Tighten the loosened screws as required.
- ❗ Do not force the door to close faster. It can cause damage to the product or hinge(s).
- ❗ Please make sure to check the operation after installation.

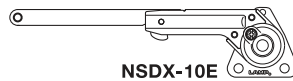
**Model (For standard screw)**

Item No.	Position	Suitable screw on stay	Suitable screw on mounting plate
NSDX-10LK	Left	φ3.5 x 3	φ3.5 x 3
NSDX-10RK	Right	φ3.5 x 3	φ3.5 x 3



**Model (For Euro screw)**

Item No.	Position	Suitable screw on stay	Suitable screw on mounting plate
NSDX-10ELK	Left	φ6.2 x 2 φ3.5 x 1	φ3.5 x 3
NSDX-10ERK	Right	φ6.2 x 2 φ3.5 x 1	φ3.5 x 3



\*φ6.2 Euro Screw to be applied

**APPLICABLE DOOR WEIGHT AND SIZE**

This product must be applied to a door with specific weight and size. Lined Section on the right of the graph indicates applicable door weight range based on 1 unit per door.

Note-1: In case of 2 units (right & left) per door are used

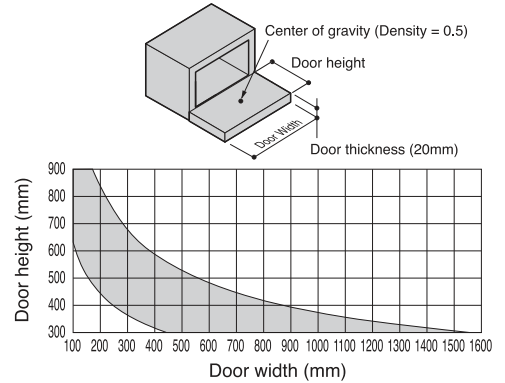
Door Width can be twice as large, if the door height remains unchanged

Note-2: In case of different door thickness or specific gravity, door weight must fit with following formula.

\*1 unit per door: MIN.~MAX.  
 $1/2 \text{ door height [m]} \times \text{door weight [kg]} \times 9.8 = 1.96 \sim 6.86 \text{ [N} \cdot \text{m]} \text{ (} 20 \sim 70 \text{ [kgf} \cdot \text{cm]} \text{)}$   
 $(1/2 \text{ door height [inch]} \times \text{door weight [lb]} = 17 \sim 60 \text{ [lb} \cdot \text{inch]} \text{)}$

\*2 units (right & left) per door: MIN.~MAX.  
 $1/2 \text{ door height [m]} \times \text{door weight [kg]} \times 9.8 = 3.92 \sim 13.72 \text{ [N} \cdot \text{m]} \text{ (} 40 \sim 140 \text{ [kgf} \cdot \text{cm]} \text{)}$   
 $(1/2 \text{ door height [inch]} \times \text{door weight [lb]} = 35 \sim 120 \text{ [lb} \cdot \text{inch]} \text{)}$

Above drawing shows for NSDX-10LK (left hand side mounting) and NSDX-10RK (Right hand side mounting) symmetrically. Same mounting position is to be applied to the model of 10 EURO (type with EURO screw). Make a preparatory hole, Before drilling a φ6.2 EURO screw.



\*In case of usual wooden flap of 20 mm thickness (specific gravity approx. 0.5)

**NSDX-10 INSTALLATION PROCEDURE**

1. Mount the body and arm fixing plate on sideboard and back of door with tapping screws (φ 3.5) to oval holes temporarily.
2. Align notch on mounting plate and hole on arm by rotating the stays to fix them.
3. Check the function and adjust mounting plate on oval holes. Then fix them with the tapping screws in the round holes of the stay and mounting plate.

**NSDX-10E INSTALLATION PROCEDURE**

1. Mount the stay on sideboard by applying EURO screw (φ 6.2) to the larger round holes on the body.
  2. Mount the arm fixing plate on back of door with tapping screws (φ 3.5) to the oval holes temporarily.
  3. Align notch on mounting plate and hole on arm by rotating the body to fix them.
  4. Check the function and adjust mounting plate on oval holes. Then fix them with the tapping screws in the round holes of the body and mounting plate.
- \*The side board must be strong enough for NSDX installation.

Mounting plates are available both in standard and clip type. When using a standard mounting plate type, be sure to fix it securely with supplied truss screw after installing the stay. When using a clip mounting plate type, be sure to insert arm completely.

**CAUTIONS**

In using a clip mounting plate type, be careful not to hit the arm or apply excessive force, as it may cause the arm to fall off and cause unexpected injury.

**SPEED ADJUSTMENT**

Upon completion of installation, make sure the door opens and closes properly. To adjust the opening speed of door, turn speed adjustment screw. In case 2 units (right & left) are used on a single door, the speed adjustment screws on both sides must be turned evenly.

**CAUTIONS**

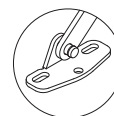
- ❗ Do not turn the speed adjustment screw exceeding the limit.
- ❗ For speed adjustment, use a Phillips (plus) screwdriver with φ 5 or less.

Hinge Type	MEASUREMENT	A	B	C
Drop Hinge (SDH-001)		81+S	91	107
Drop Hinge (SDH-P)		79+S	88	104
Single knuckle hinge		90	99	115

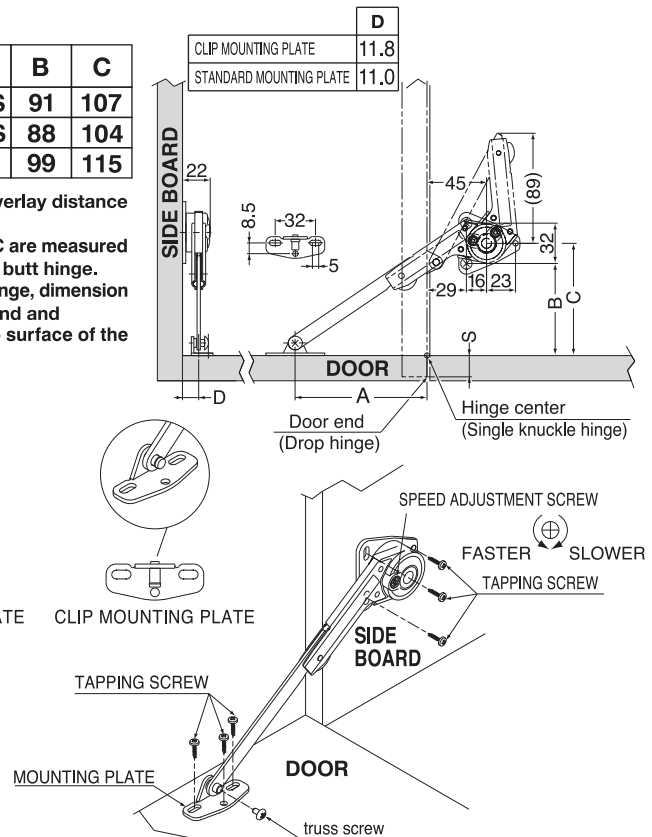
Note: "S" dimension is the overlay distance for drop hinge (s). The distance of A, B, C are measured from the center of the butt hinge. In the case of a drop hinge, dimension A indicates the door end and dimension B, C the top surface of the bottom board.



STANDARD MOUNTING PLATE



CLIP MOUNTING PLATE



**SUGATSUNE KOGYO CO.,LTD**  
Tokyo, JAPAN  
Phone: +81 (0)3 3866 2260 E-mail:export@sugatsune.co.jp

**SUGATSUNE KOGYO (UK) LTD**  
Reading, UK  
Phone: +44 118 9272 955 E-mail:sales@sugatsune.co.uk

**SUGATSUNE EUROPE GmbH**  
Düsseldorf, GERMANY  
Phone: +49 211 53812900 E-mail:sales@sugatsune.eu  
ISO9001(Japan Offices and Sugatsune America) and ISO14001(Chiba Production division and Logistics center), certified.

**SUGATSUNE SHANGHAI Co., LTD**  
Shanghai, CHINA  
Phone: +86 21 3632 1858 E-mail:lamp@sugatsune.com.cn

**Guangzhou, CHINA**  
Phone: +86 20 6639 3552 E-mail:lamp@sugatsune.com.cn

**SUGATSUNE KOGYO INDIA PRIVATE LIMITED**  
Mumbai, INDIA  
Phone: +91 22 28314490/91 E-mail:sales@sugatsune.in

**SUGATSUNE AMERICA, INC**  
California, USA  
Phone: +1 310 329 6373 E-mail:sales@sugatsune.com

**Chicago, USA**  
Phone: +1 312 461 1081 E-mail:chicagoshowroom@sugatsune.com

**SUGATSUNE CANADA, INC.**  
Phone: +1 514 312 5267 E-mail:support@sugatsune.ca